

Service Manual

Radio Cassette

RX-F32LS/LE

FM-LW-MW-SW Stereo Radio Cassette Recorder



■ SPECIFICATIONS

General:

Power Requirement: AC; 110~115/115~127/200~220/
230~250V, 50/60 Hz
Battery; 12V (eight "C" Size Flashlight
Batteries)
(National UM-2 or equivalent)
Car battery; with optional car
adaptor RP-952

Power Consumption: 25W (AC only)

Power Output: 20W (10W×2)...RMS (max.)
20W (10W×2)...MPO

Speaker: 9cm (3½") PM Dynamic Speaker (6Ω)

Input: MIC; sensitivity 0.25mV/applicable
microphone impedance
200~600Ω
LINE IN; sensitivity 200mV/50kΩ over
DC IN; 12V

Output: LINE OUT; sensitivity 420mV/47kΩ
EXT SP; 3~8Ω
HEADPHONES; 32Ω

Dimensions: 418mm(W)×220mm(H)×110mm(D)
(16½×8½×4⅜)"

Weight: 4.15kg (9 lb. 2.4 oz.) without batteries

Radio Section:

Radio Frequency Range: FM; 87.5~108MHz
LW; 150~285kHz (2000~1060m)
MW; 520~1610kHz (577~186m)
SW; 5.9~18MHz (50.8~16.7m)

Intermediate Frequency: FM; 10.7 MHz
AM (LW/MW/SW); 455kHz
AM (LW/MW/SW); 470kHz (For U.K)

Sensitivity: FM; 1.8μV/500mW output
LW; 178μV/m/50mW output
MW; 141μV/m/50mW output
SW; 8.9μV/50mW output

Tape Deck Section:

Frequency Response: 60~12,000Hz (with normal tape)
60~14,000Hz (with Metal tape)

Recording System: AC bias, AC erase

Tape Speed: 4.8cm/s, (1⅞ ips)

Wow and Flutter: 0.2% (WRMS)

Program Time: 1 hour with C-60 cassette tape

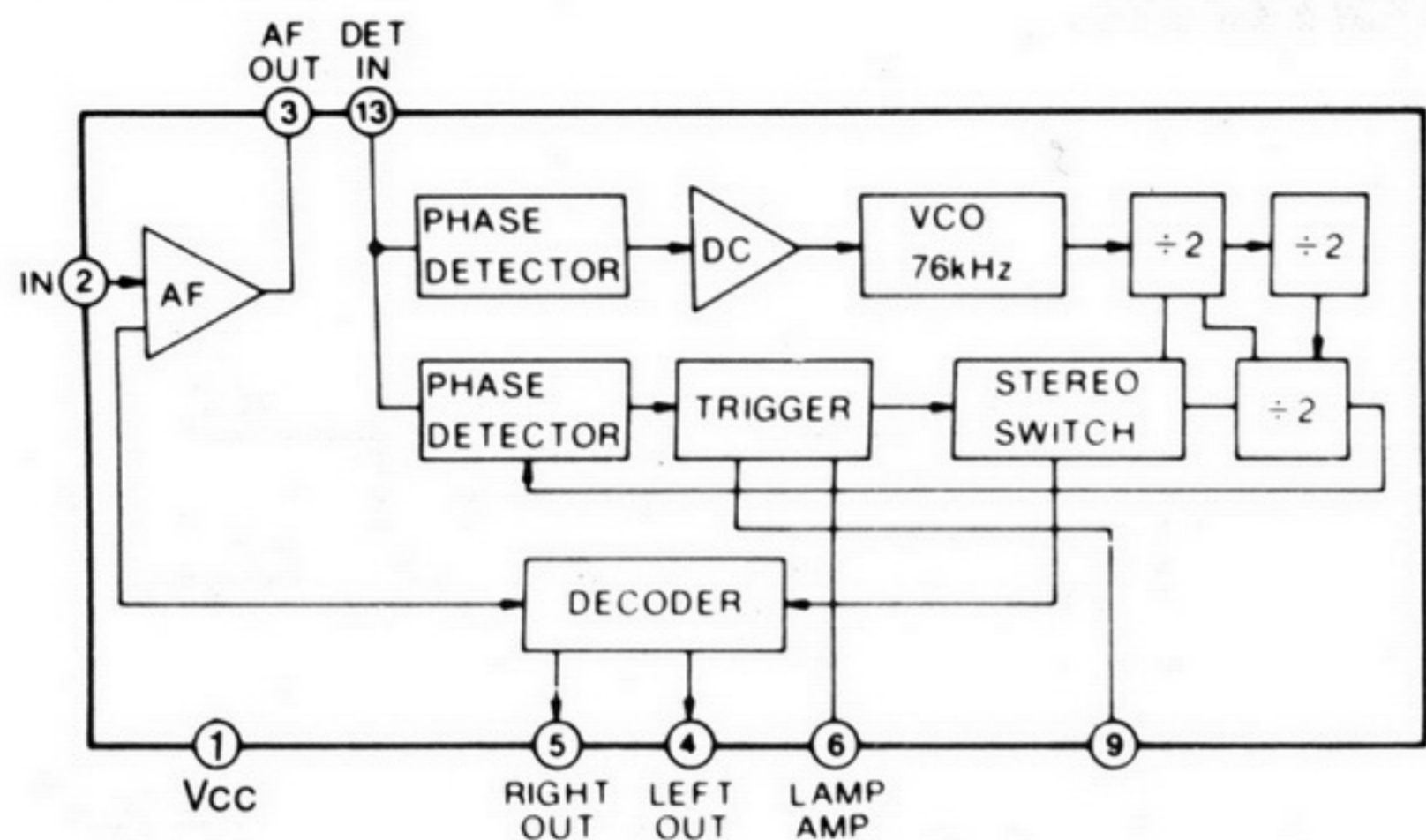
Track System: 4-track 2 channel stereo recording
and playback

Specifications are subject to change without notice.

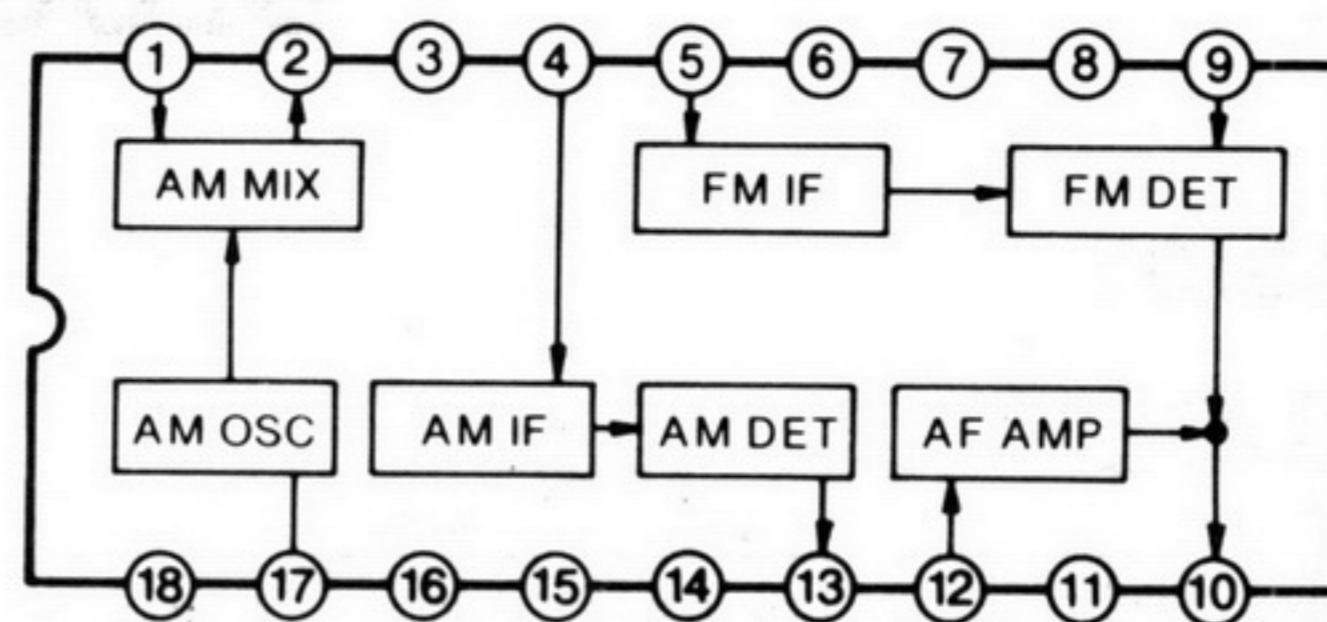
Panasonic

Matsushita Electric Trading Co., Ltd.
P.O. Box 288, Central Osaka Japan

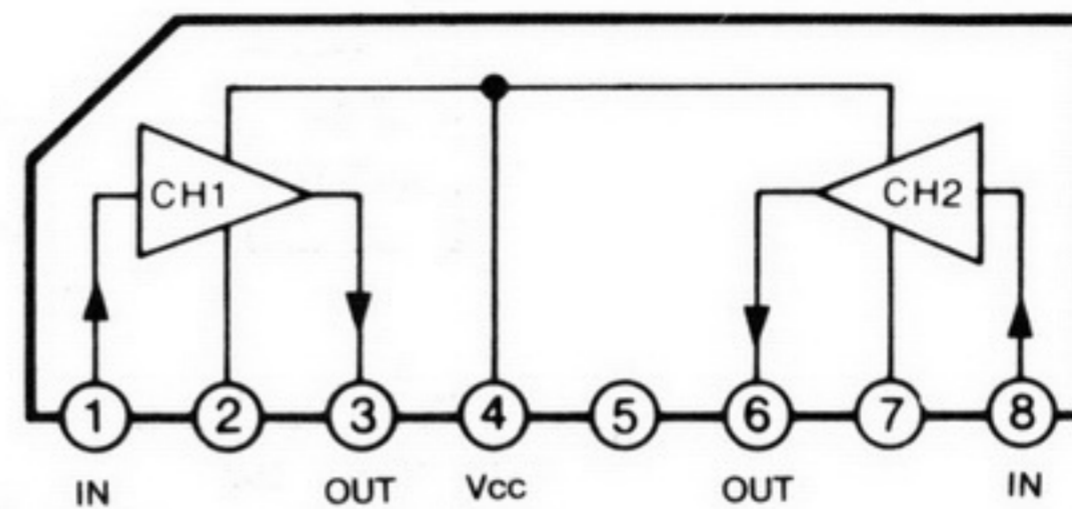
IC2 RVIBA1330



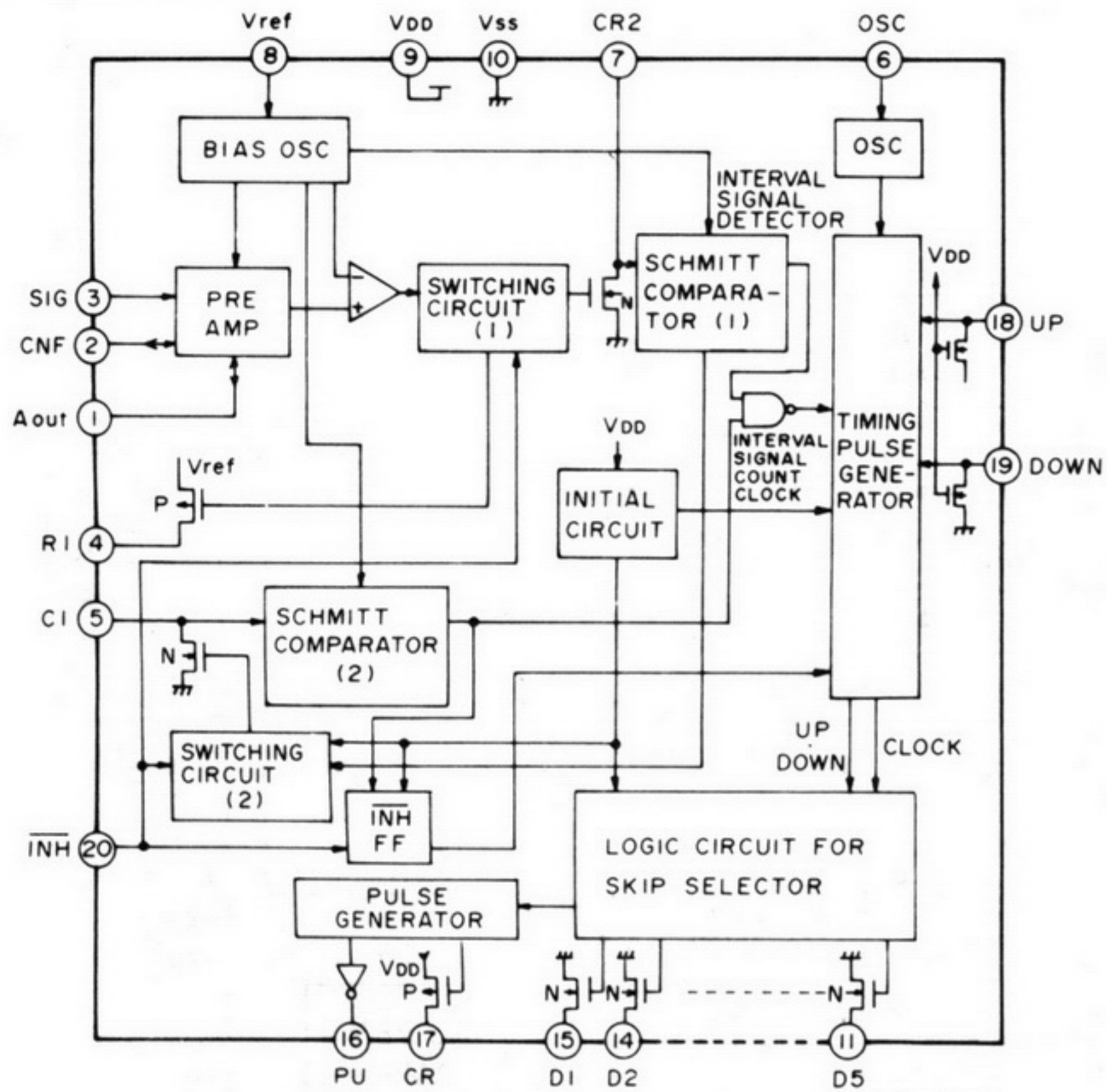
IC1 AN7220B



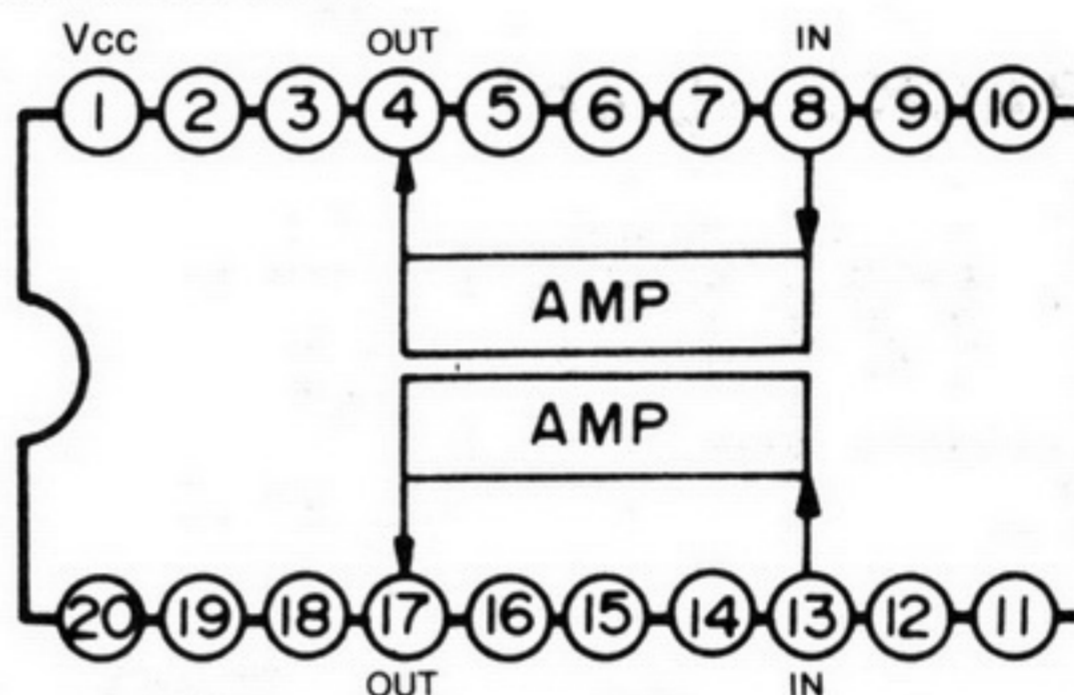
IC3 RVIBA328MR



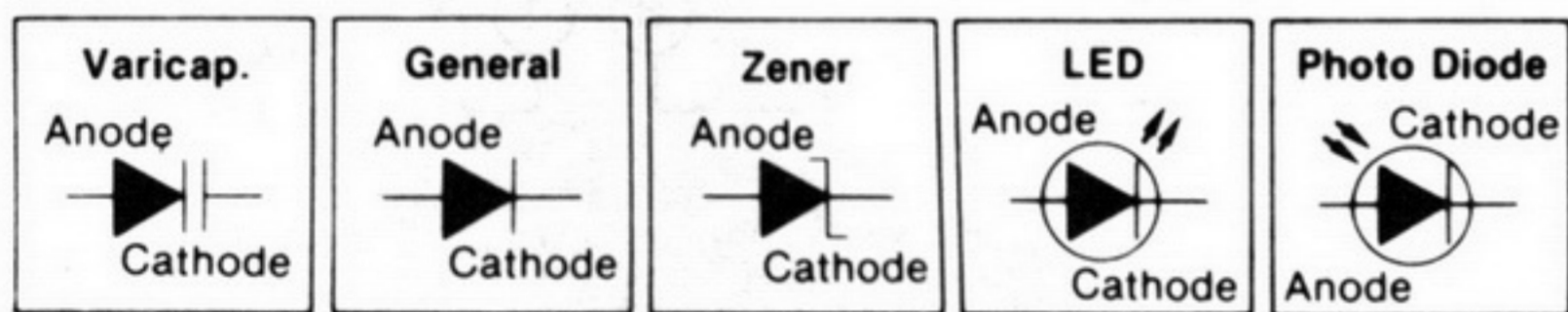
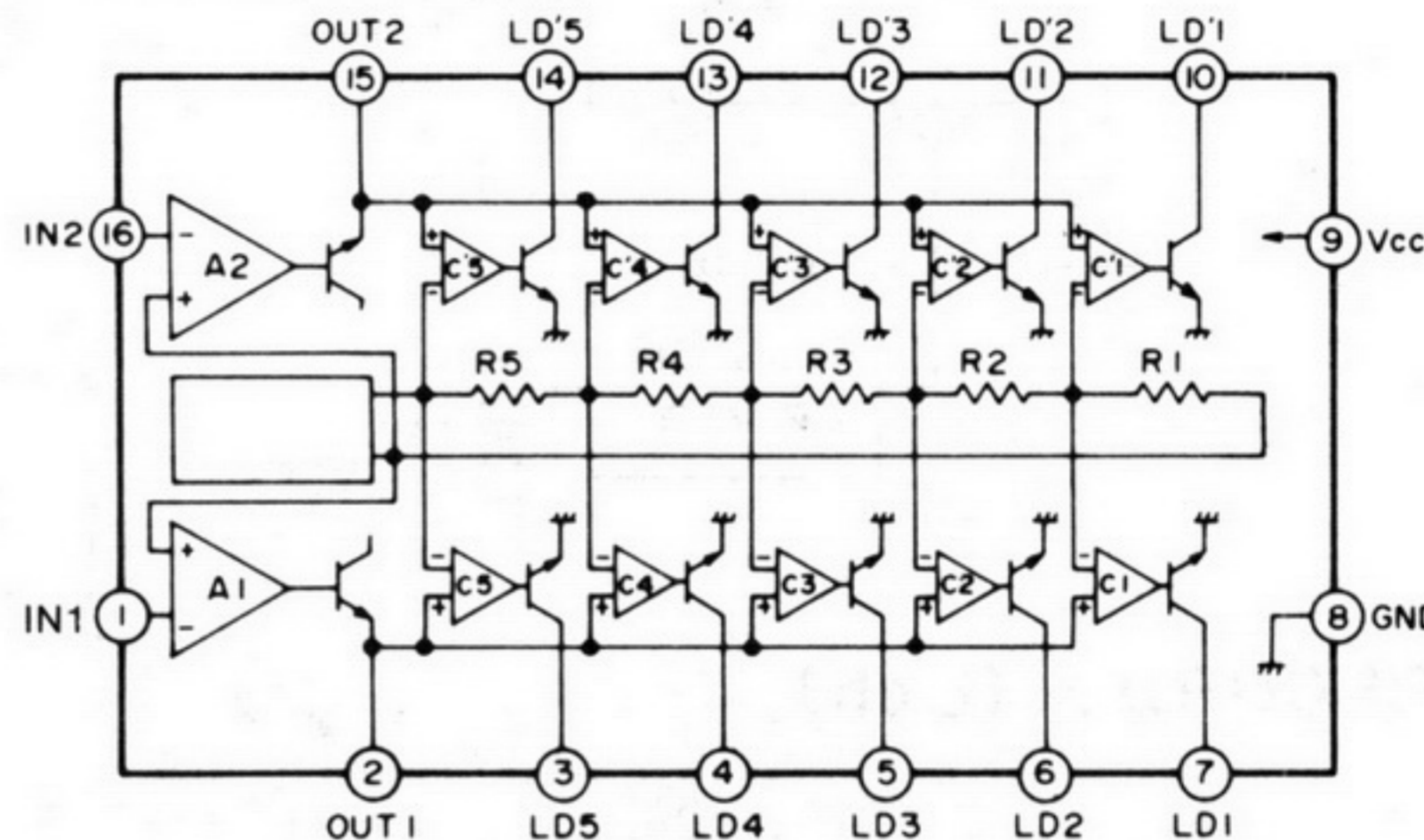
IC9 RVILC7515



IC6 RVILA4505



IC8 RVITA7666P










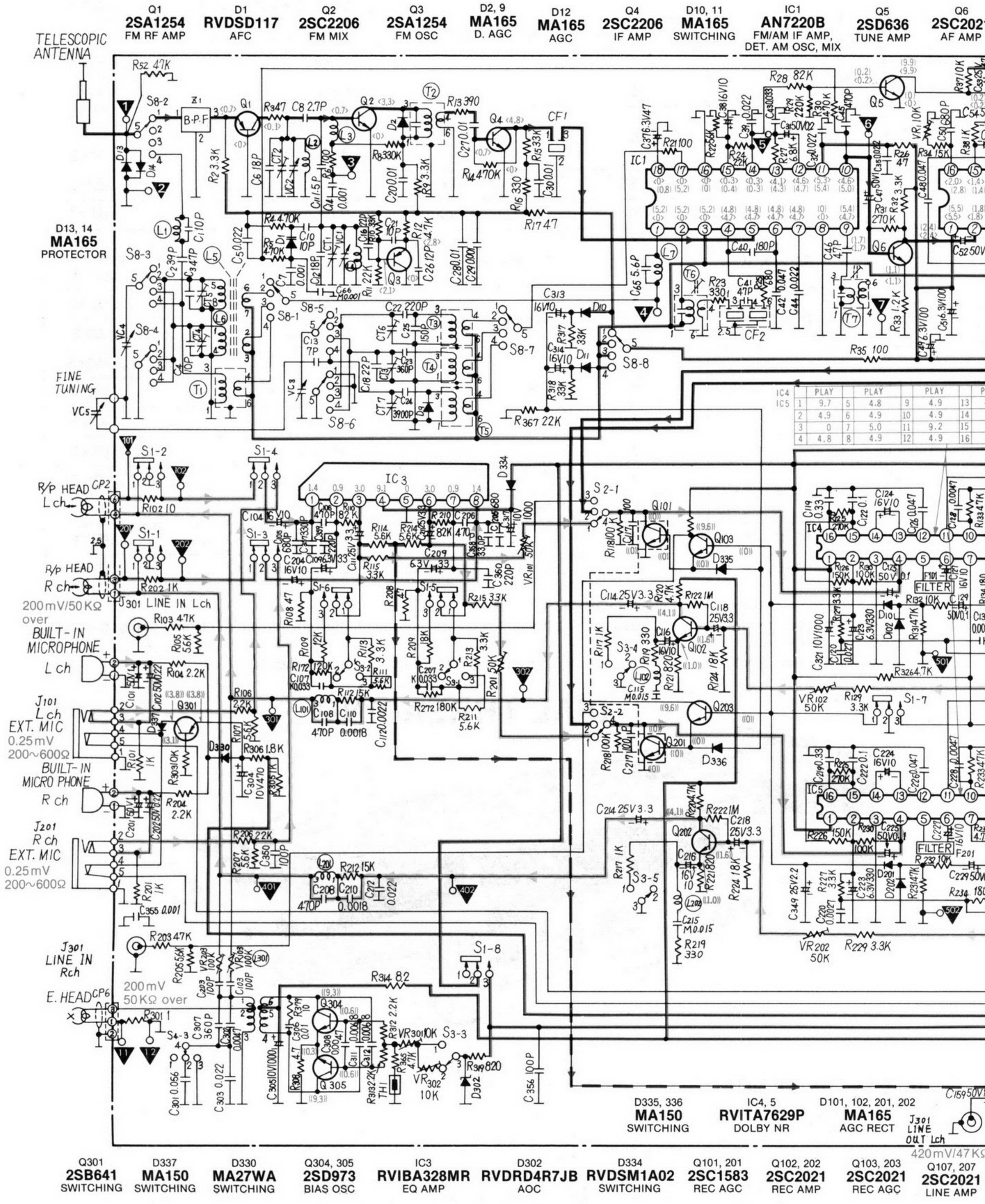
Notes:

1. S1-1~S1-10: Record/playback switch in "playback" position.
(1...Playback, 3...Record)
2. S2-1~S2-4: Function switch in "TAPE/OFF" position.
(1...TAPE/OFF, 2...RADIO, 3...LINE IN)
3. S3-1~S3-5: Tape switch in "METAL" position.
(2...METAL, 3...NORMAL)
4. S4-1~S4-4: Mode/beat proof switch in "STEREO/II" position.
(1...MONO/I, 2...STEREO/II, 3...AMBIENCE/III)
5. S5: Dolby NR switch in "OUT" position.
6. S6-1, S6-2: Loudness switch in "OFF" position.
7. S7: TPS program switch.
8. S8-1~S8-8: Band switch in "FM" position.
(1...FM, 2...LW, 3...MW, 4...SW)
9. S9: Motor switch in "OFF" position.
10. S10: Play switch in "OFF" position.
11. S11: TPS switch in "OFF" position.
12. S12: AC/DC IN select switch in "DC IN" position.
13. S13: Voltage select switch.
14. VR101, 201: Dolby adjustment VR.

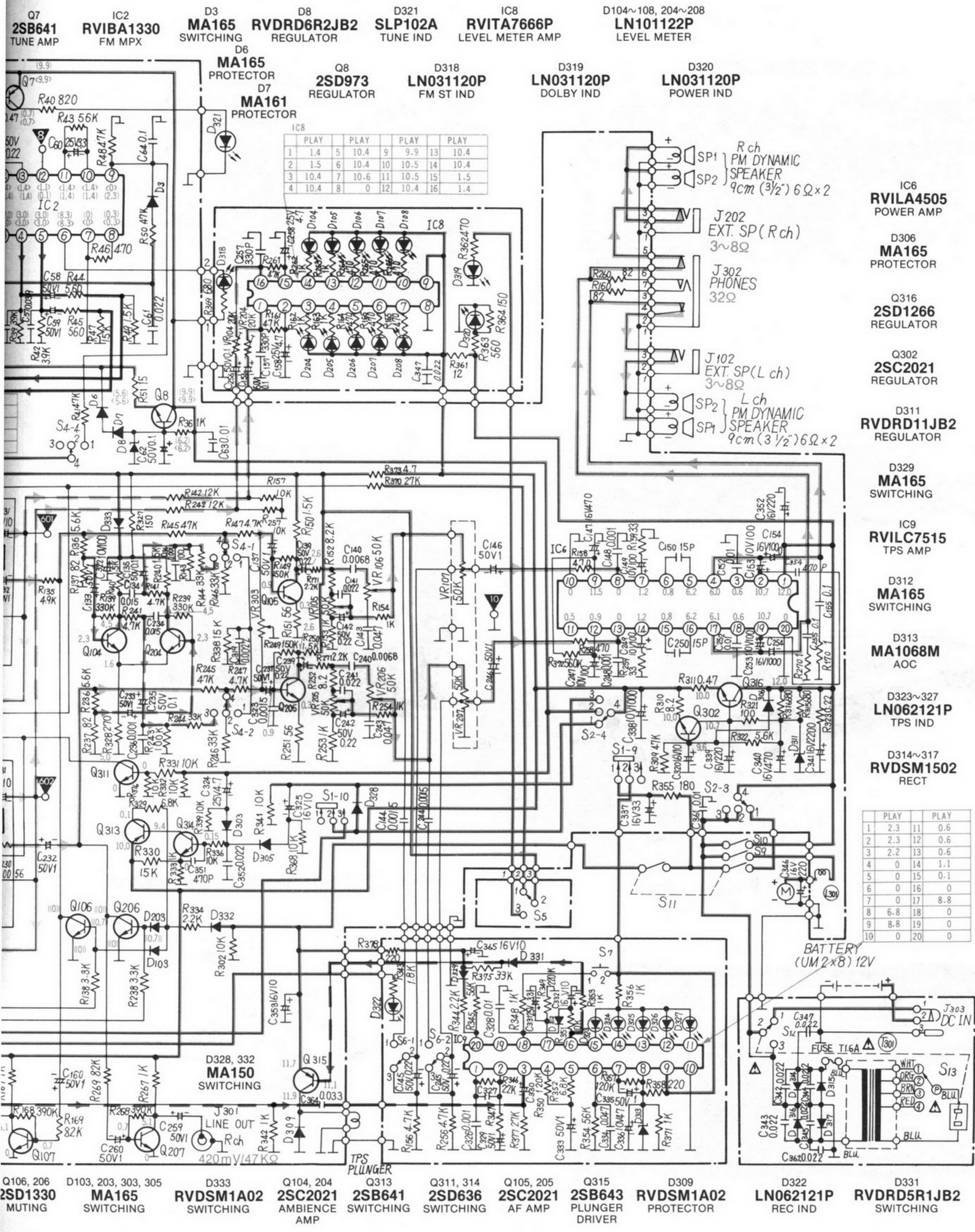
15. VR102, 202: Recording current adjustment VR.
16. VR103, 203: Bias current adjustment VR.
17. VR104, 204: Meter adjustment VR.
18. VR105, 205: Bass control.
19. VR106, 206: Treble control.
20. VR107, 207: Volume control.
21. VR301: Erase current adjustment VR. (NORMAL)
22. VR302: Erase current adjustment VR. (METAL)
23. VR303: Balance control.
24. The mark (▼) shows test point. e.g. ▼ = test point 1.
25. DC voltage measurement are taken with electronics voltmeter from negative terminal of battery.
< >...FM position, ()...AM position,
(())...Recording position,
No mark...Playback position.
26. Battery current: No signal 135mA
Maximum output (radio)1.2A
Maximum output (tape)1.3A
27. Important safety notice
Components identified by ▲ mark have special characteristics important for safety.
When replacing any of these components, use only manufacturer's specified parts.

SCHEMATIC DIAGRAM

-  + (B) Voltage Line
-  Tape (PLAY BACK) Signal Line
-  Radio (FM) Signal Line
-  Tape (RECORD) Signal Line
-  Level Meter Signal Line
-  TPS Signal Line
-  AMBIENCE Signal Line



M MODEL RX-F32LS/LE



	PLAY	PLAY	PLAY	PLAY
1	1.4	5	10.4	9
2	1.5	6	10.4	10
3	10.4	7	10.6	11
4	10.4	8	0	12

	PLAY	PLAY
1	2.3	11
2	2.3	12
3	2.2	13
4	0	14
5	0	15
6	0	16
7	0	17
8	6.8	18
9	8.8	19
10	0	20

- IC6 **RVILA4505**
POWER AMP
- D306 **MA165**
PROTECTOR
- Q316 **2SD1266**
REGULATOR
- Q302 **2SC2021**
REGULATOR
- D311 **RVDRD11JB2**
REGULATOR
- D329 **MA165**
SWITCHING
- IC9 **RVILC7515**
TPS AMP
- D312 **MA165**
SWITCHING
- D313 **MA1068M**
AOC
- D323~327 **LN06212P**
TPS IND
- D314~317 **RVDSM1502**
RECT

- Q106, 206 **2SD1330**
MUTING
- D103, 203, 303, 305 **MA165**
SWITCHING
- D333 **RVDSM1A02**
SWITCHING
- Q104, 204 **2SC2021**
AMBIENCE AMP
- Q313 **2SB641**
SWITCHING
- Q311, 314 **2SD636**
SWITCHING
- Q105, 205 **2SC2021**
AF AMP
- Q315 **2SB643**
PLUNGER DRIVER
- D309 **RVDSM1A02**
PROTECTOR
- D322 **LN06212P**
REC IND
- D331 **RVDRD5R1JB2**
SWITCHING