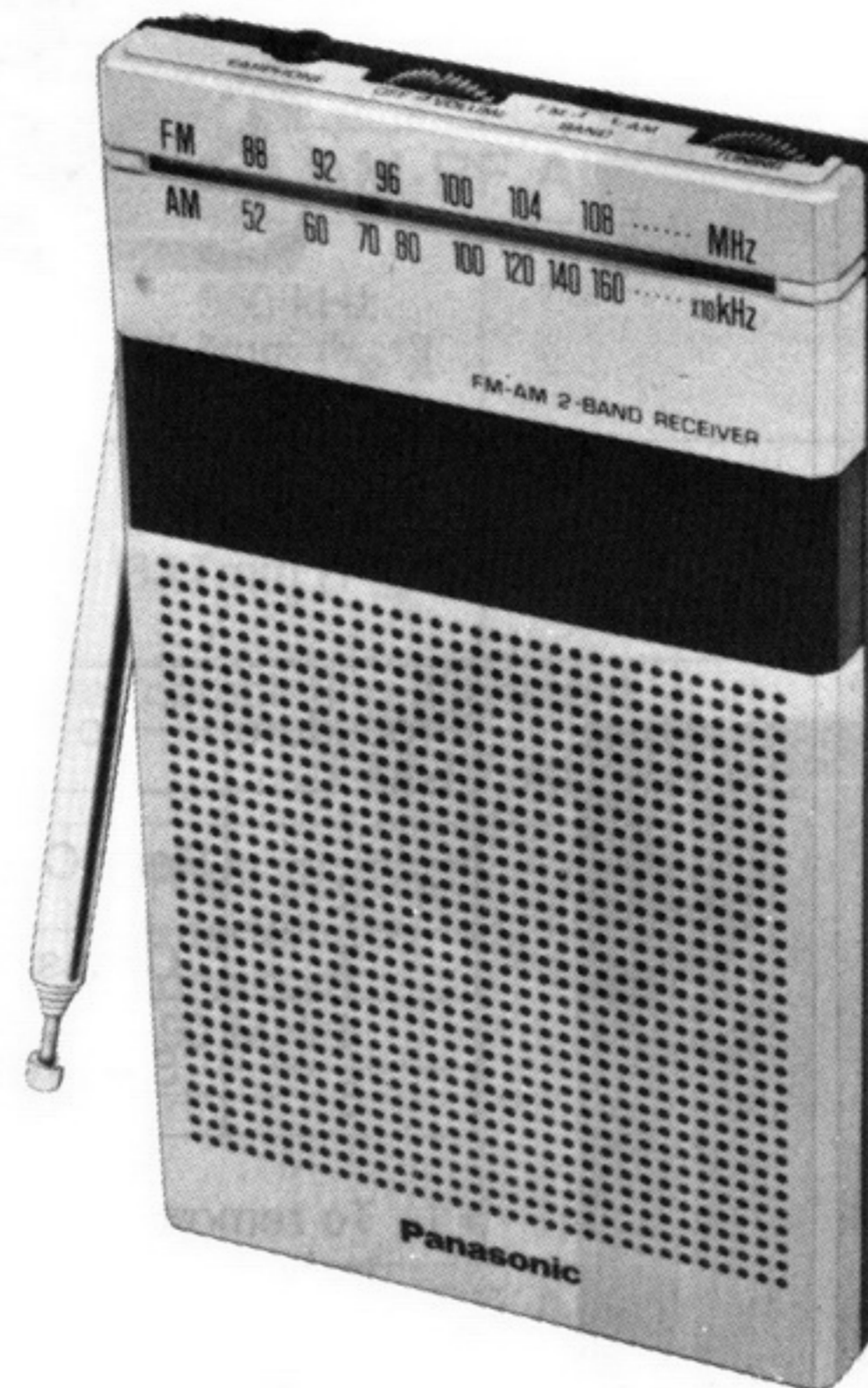


Service Manual

Radio
RF-032

FM/AM PORTABLE RADIO



■ SPECIFICATIONS

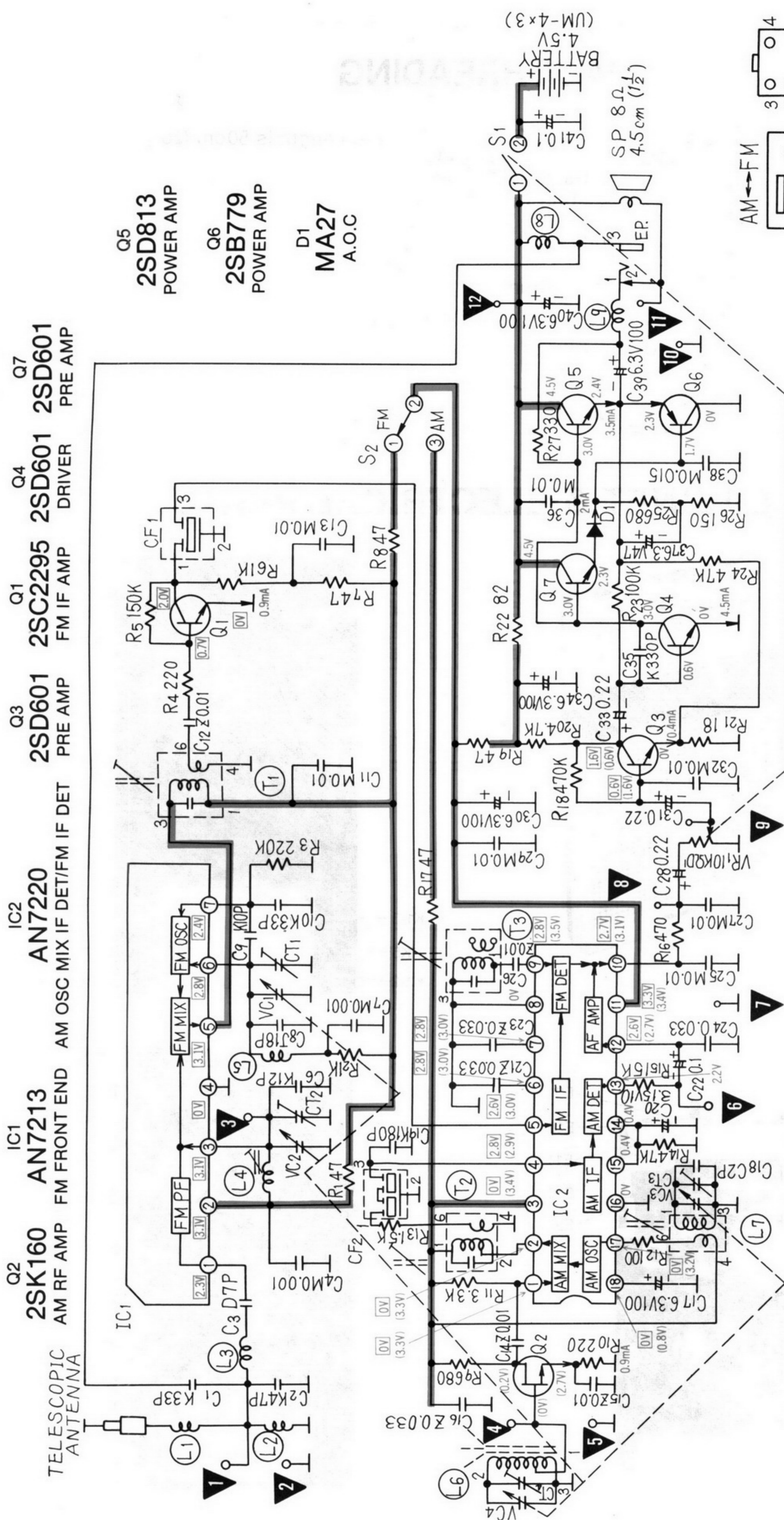
Frequency Range:	FM 87.5 ~ 108 MHz AM 520 ~ 1,610kHz (577 ~ 186m)
Intermediate Frequency:	FM 10.7MHz AM 455kHz
Sensitivity:	FM $3\mu\text{V}$ for 50mW Output AM $160\mu\text{V/m}$ for 50mW Output
Batteries:	4.5V (Three "AAA" size Penlight Batteries)
Speaker:	4.5cm (1½") PM Dynamic speaker
Dimensions:	72 (Wide) x 127 (High) x 15.7 (Deep) mm (2⅞" x 5" x ⅝")
Weight:	143g (5.05 oz) with batteries
Impedance:	Speaker 8Ω Earphone Jack 8Ω

Specifications are subject to change without notice.

 **Panasonic**

Matsushita Electric Trading Co., Ltd.
P.O. Box 288, Central Osaka Japan

SCHEMATIC DIAGRAM — MODEL RF-032



Q5
2SD813
POWER AMP

Q6
2SB779
POWER AMP

D1
MA27
A.O.C

Q2
2SK160
AM RF AMP

Q1
2SC2295
FM IF AMP

Q4
2SD601
DRIVER

Q7
2SD601
PRE AMP

IC1
AN7213
FM FRONT END

IC2
AN7220
AM OSC MIX IF DET/FM IF DET

IC3
2SD601
PRE AMP

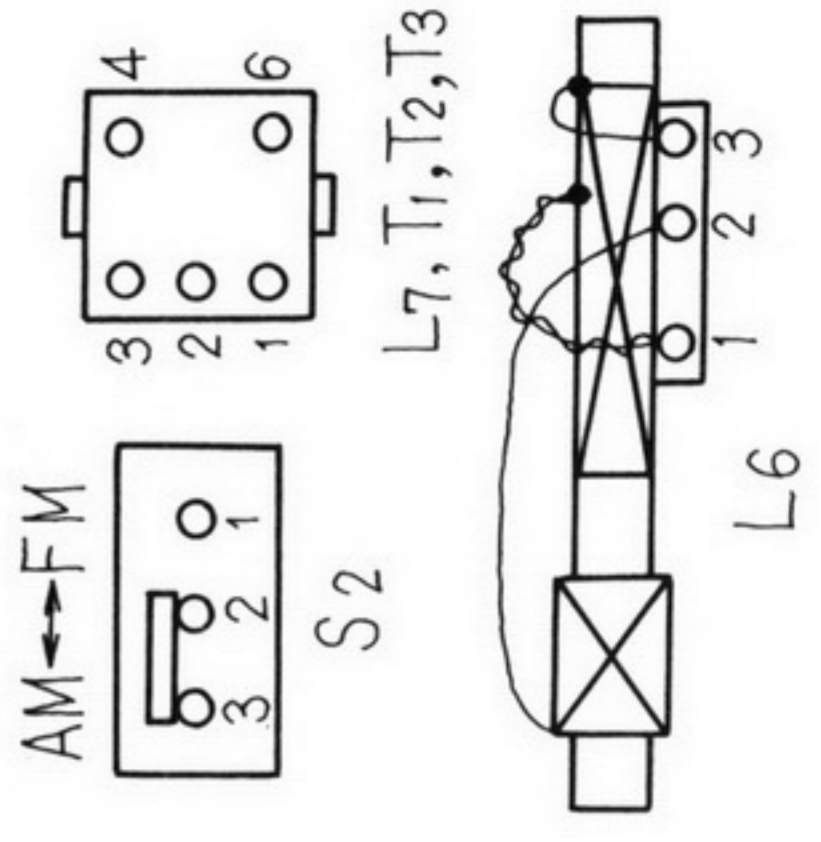
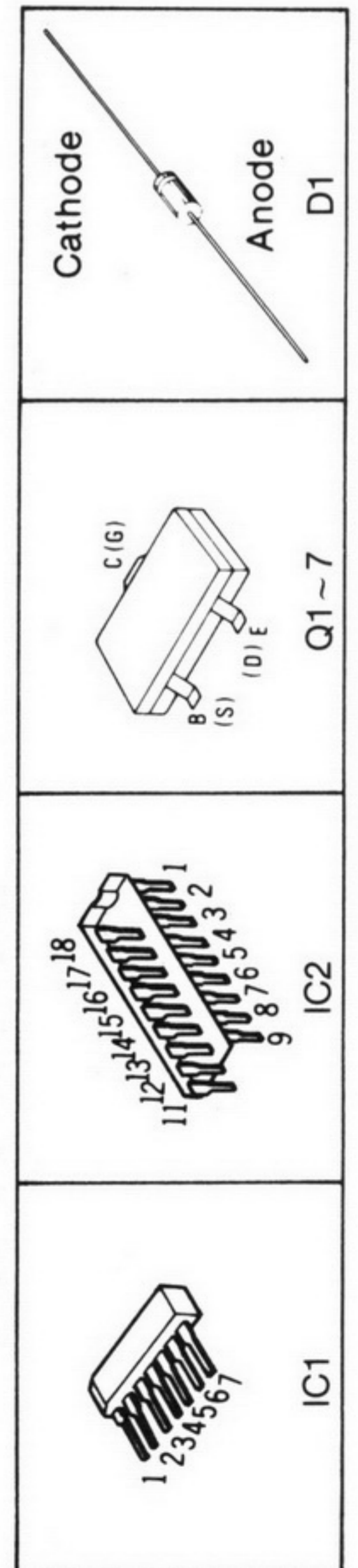
IC4
2SC2295
FM IF AMP

IC5
2SD601
DRIVER

IC6
2SD601
PRE AMP

IC7
2SD813
POWER AMP

- Notes:**
1. S1: Power switch in "OFF" position.
 2. S2: Band switch in "FM" position.
 3. DC volume measurements are taken with electrics voltmeter based on negative terminal of battery.
 4. Battery current: No signal..... 20mA
Maximum output 110mA



BOTTOM VIEW