

Service Manual

Radio
RF-096L

FM-AM 4-Band Portable Radio with Quartz Clock

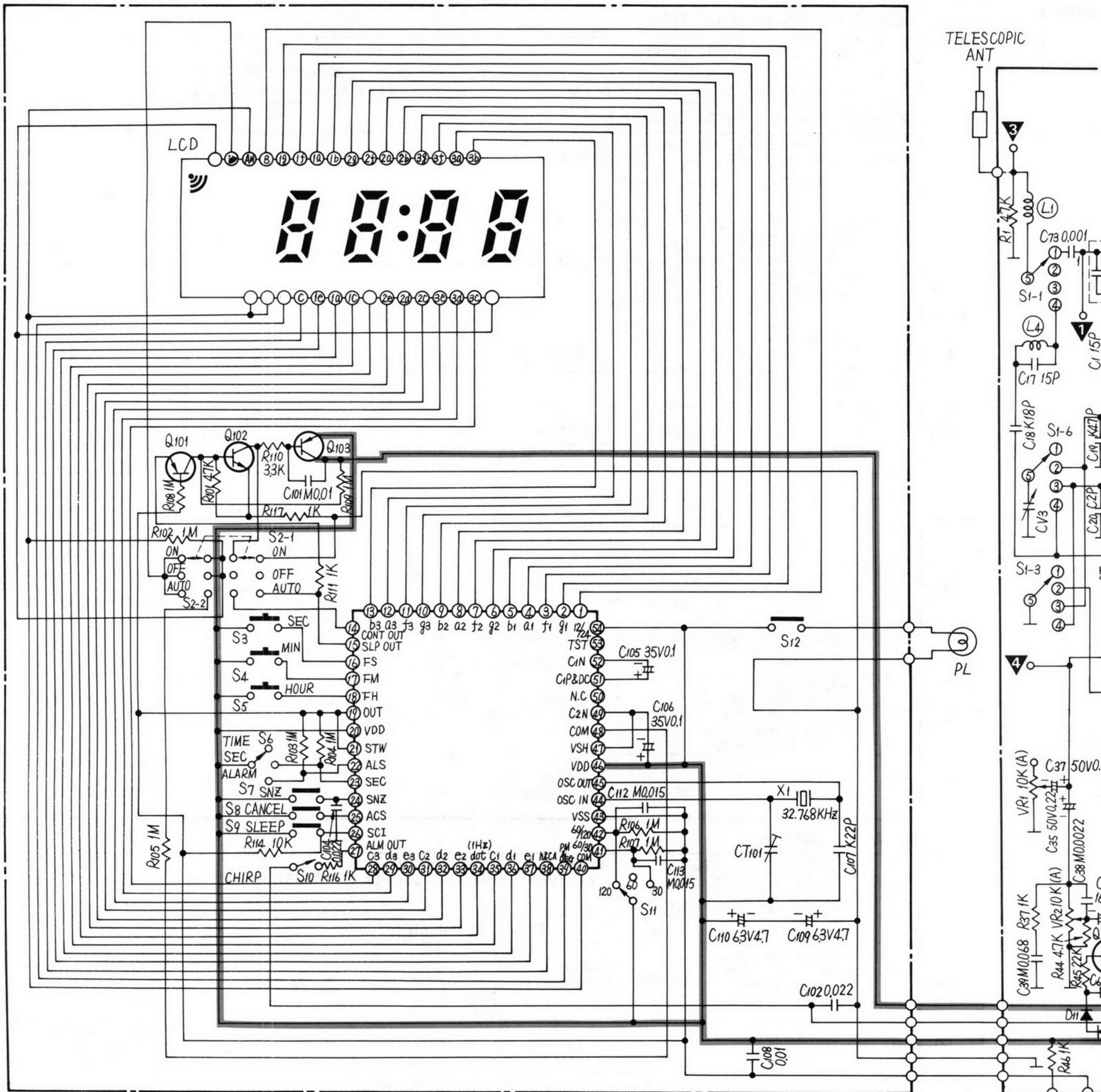


■ SPECIFICATIONS

Frequency Range:	FM 87.5~108 MHz LW 145~285 KHz (2060~1060 m) MW 520~1610 KHz (577~186 m) SW 5.9~18 MHz (50.8~16.7 m)
Intermediate Frequency:	FM 10.7 MHz AM (LW, MW & SW) 455 kHz
Sensitivity:	FM 2 μ V for 50mW Output LW 100 μ V/m for 50mW Output MW 50 μ V/m for 50mW Output SW 6 μ V for 50mW Output
Power Output:	550mW Maximum
Batteries:	Radio; 6 V (Four "AA" Size Penlight Batteries) Clock; 1.5 V (One "AA" Size Penlight Battery) (National UM-3 or equivalent)
Speaker:	8 cm (3") PM Dynamic Speaker
Dimensions:	207(Wide) x 128.5(High) x 46.5(Dep) mm (8 $\frac{3}{16}$ " x 5 $\frac{3}{16}$ " x 1 $\frac{7}{8}$ ")
Weight:	680 g. (1 lb 7.99 oz.) without batteries
Impedance:	Speaker 8 Ω Earphone Jack 8 Ω

Specifications are subject to change without notice.

SCHEMATIC DIAGRAM-MOD



Q101 2SA812 SWITCHING
 Q102 2SC1623 SWITCHING
 Q103 2SB624 SWITCHING

D10.11 RVDKB2656 SWITCHING
 BATT. 1.5 (UM-3)

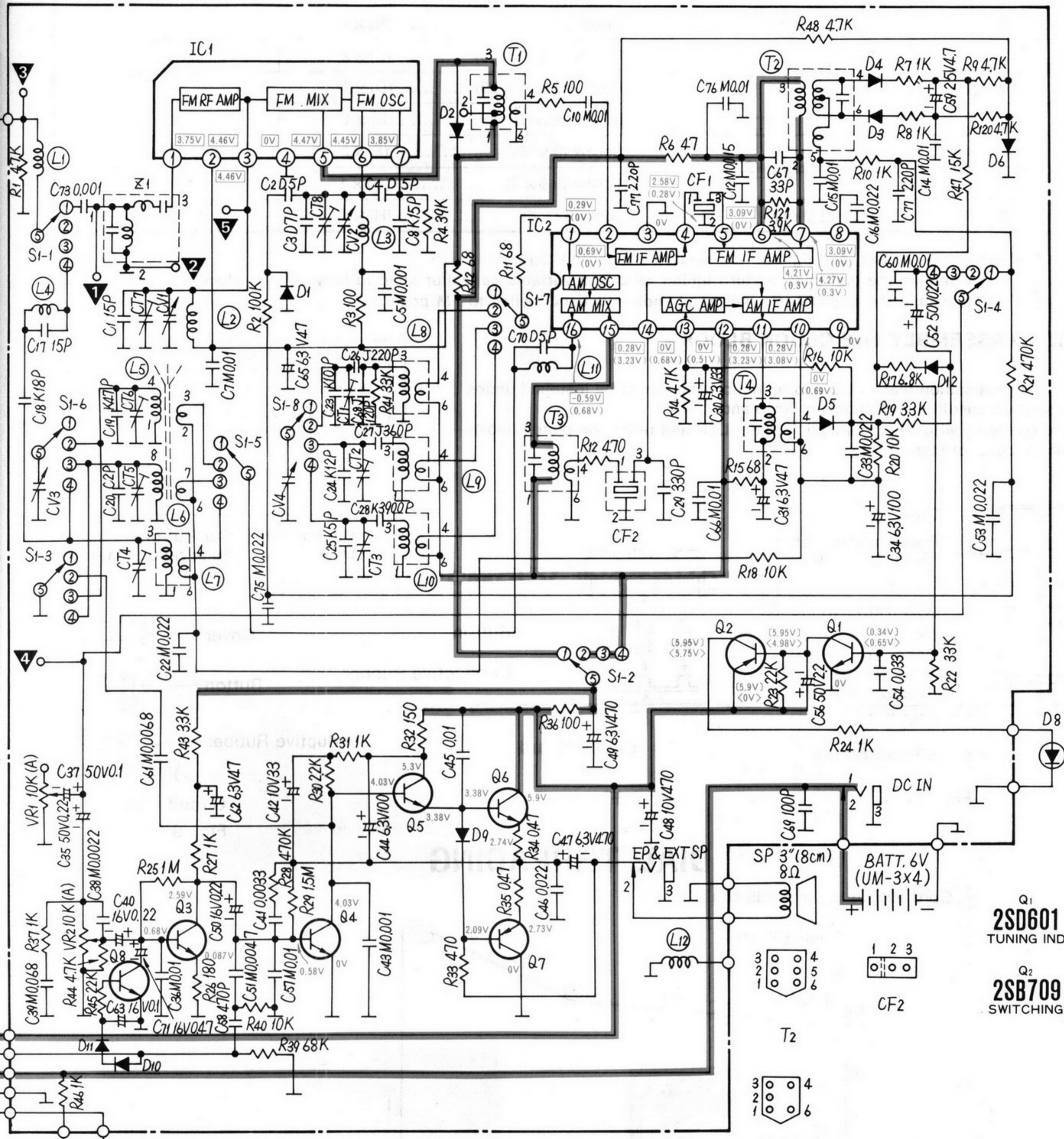
Notes:

- | | | | |
|---------------|--|----------|--|
| 1. S1-1~S1-8: | Band switch in "FM" position. | 7. S7: | Doze switch. |
| 2. S2-1~S2-2: | Selector Switch in "ON" Position.
(1...ON, 2...OFF, 3...AUTO) | 8. S8: | Cancel switch. |
| 3. S3: | Second switch. | 9. S9: | Sleep switch. |
| 4. S4: | Minute switch. | 10. S10: | Alarm selector switch in "chirp" Position. |
| 5. S5: | Hour switch. | 11. S11: | Sleep time selector switch. |
| 6. S6: | Display switch in "TIME" Position. | 12. S12: | Light switch. |
| | | 13. | DC voltage measurements are taken with electronics |

AM-MODEL RF-096L

COPIC

IC₁ **AN7213** FM RF/MIX/OSC D₁ **RVDS0113** AFC D₂ **MA150** D. AGC IC₂ **RVIUPC1018CE** FM IF/AM MIX, OSC & IF D₅ **0A90** AM DET D_{3,4} **2-0A90** FM DET D₆ **MA27B2** AOC D₁₂ **0A99** SWITCHING



Q₁ **2SD601** TUNING IND
 Q₂ **2SB709** SWITCHING
 D₈ **LN28RP** TUNING IND
 Q₃ **2SC1623** SWITCHING
 Q_{3,4} **2SC1623** AF AMP
 Q₅ **2SC1623** AF AMP
 Q₆ **2SC2001** POWER AMP
 Q₇ **2SA952** POWER AMP
 D₉ **RVDKB265G** AOC

- Volumeter based on negative terminal of battery.
 □...FM Position, ()...AM Position
 []...LED OFF Position, < >...LED ON Position
14. For resistor and capacitors, using chips except * mark.
 15. Battery current No signal.....33mA.
 Maximum output170mA.

position.

onics