

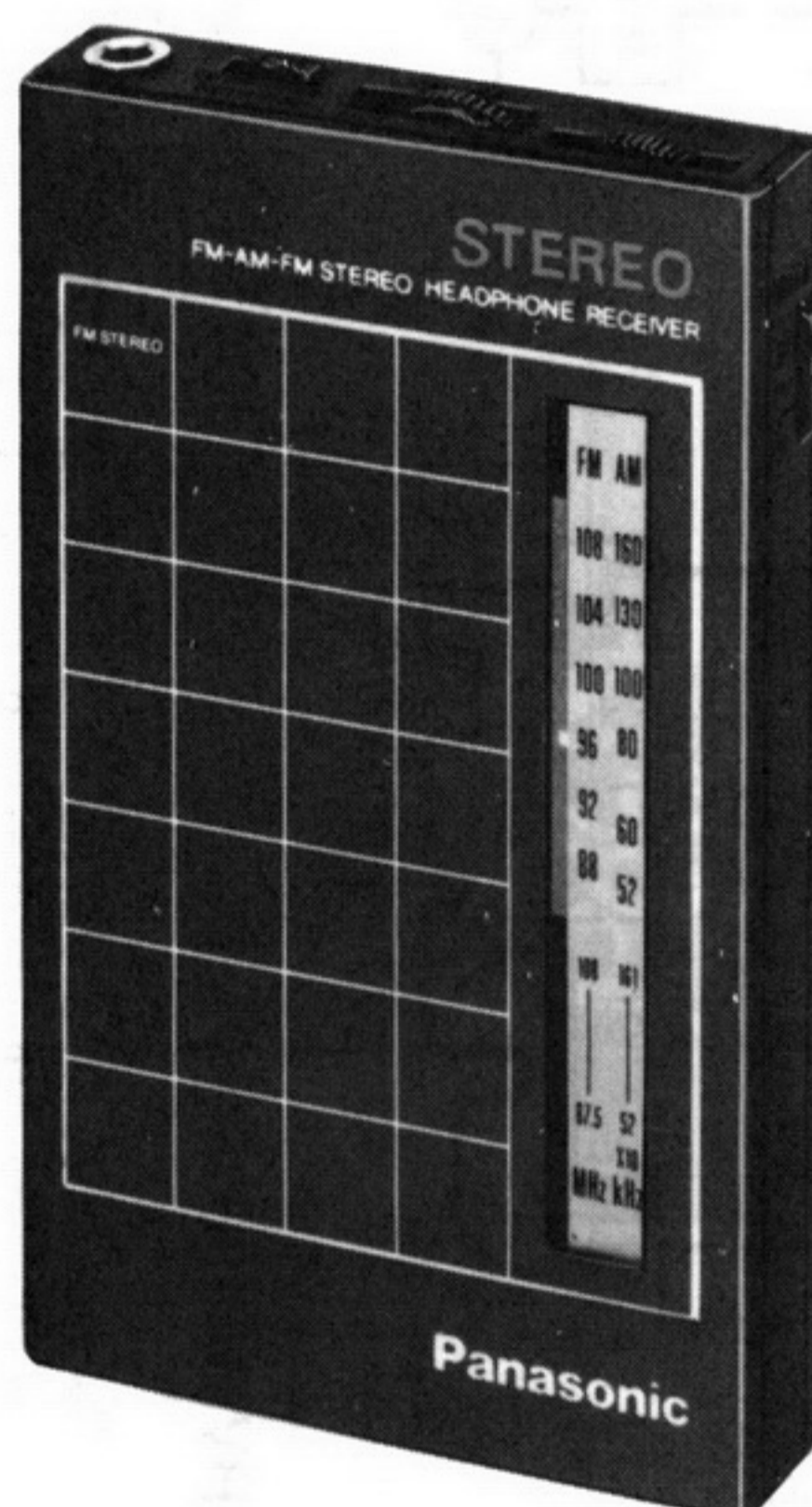
Service Manual

FM-AM-FM Stereo Headphone Radio

Radio
RF-14
(Black)

This is the Service Manual
for the following areas.

G ... For F.R. Germany.



■ SPECIFICATIONS

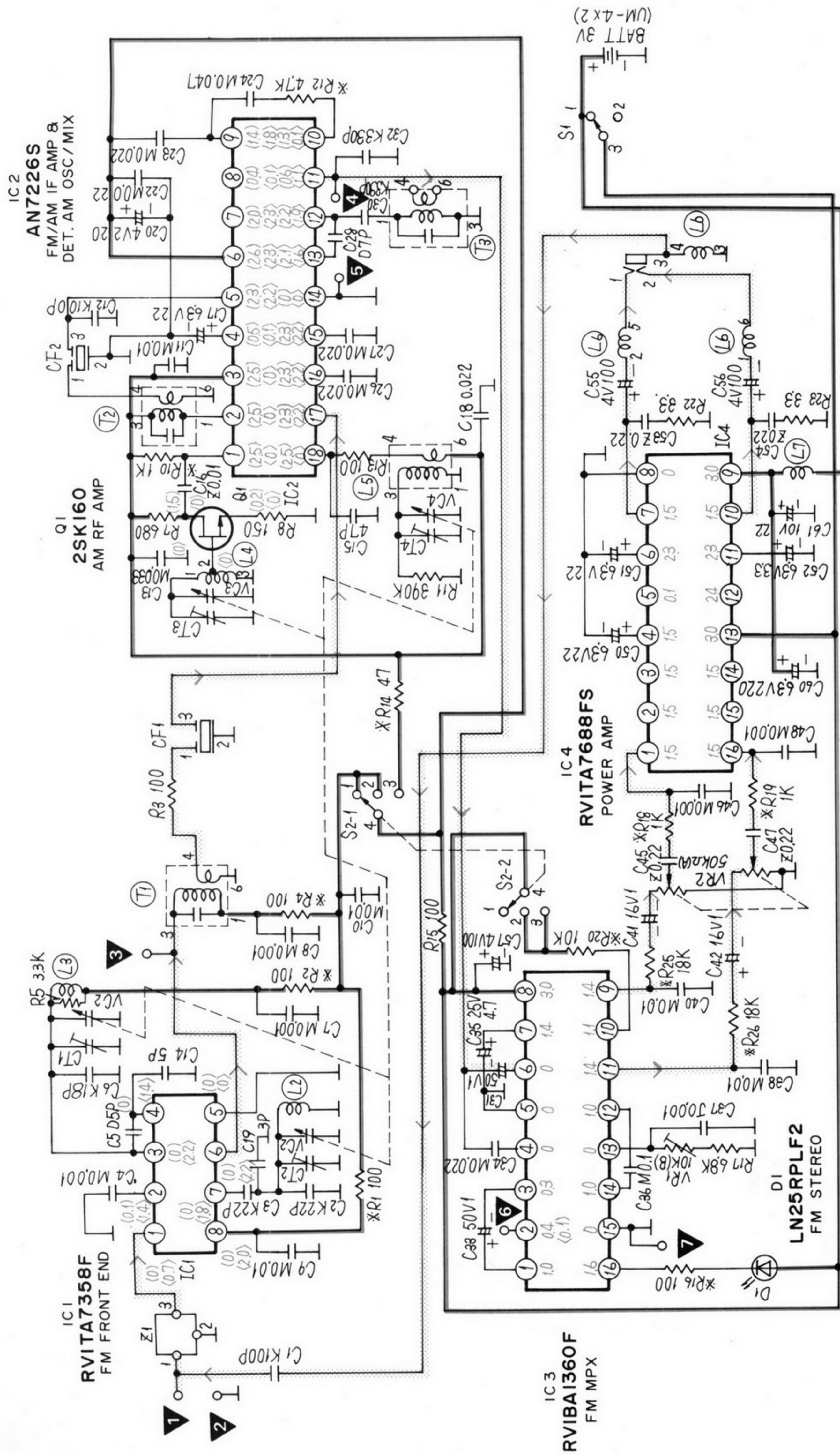
Frequency Range:	FM; 87.5~108 MHz AM; 520~1610 kHz
Intermediate Frequency:	FM; 10.7 MHz AM; 455 kHz
Sensitivity:	FM; 7.1 μ V/1 mW output (-3 dB, Limit Sens) AM; 141 μ V/m/1 mW output
Power Source:	DC 3 V (Two "AAA" Size Battery) (Panasonic UM-4 or equivalent)
Power Output:	30 mW \times 2...RMS (max.)
Impedance:	Headphone 32 Ω , \varnothing 3.5
Dimensions:	55 (W) \times 91 (H) \times 12.9 (D) mm (2 $\frac{3}{16}$ \times 3 $\frac{9}{16}$ \times 1 $\frac{1}{2}$)"
Weight:	50 g (1.8 oz.) without batteries

Design and specifications are subject to change without notice.

Panasonic

Matsushita Electric Trading Co., Ltd.
P.O. Box 288, Central Osaka Japan

SCHEMATIC DIAGRAM MODEL RF-14



- Notes:**
- S1: Power switch in "ON" position.
 - S2-1, S2-2: Band switch in "FM ST" position.
 - VR1, 2: Volume control VR.
 - VR3: VCO oscillator frequency adjust VR.
4. DC voltage measurements are taken with electronics voltmeter based on negative terminal of battery.
5. Battery Current: No signal 20 mA
 < ...FM position, ()...AM position 64 mA
 Maximum output 64 mA
- ...+(B) Voltage Line
 ...FM Signal Line