

Service Manual

FM-LW-MW-SW Portable Receiver

Radio
RF-3500

Colour

(K) : Black



Areas

Suffix for Model No.	Area	Colour
(E)	Europe	(K)
(EB)	Britain	
(EI)	Italy	

Specifications

Frequency Range:

FM	87.5 – 108.0 MHz
LW	148.5 – 285 kHz
MW	520 – 1610 kHz
SW	5.9 – 18.0 MHz

Intermediate Frequency:

FM	10.7 MHz
AM (LW/MW/SW)	459 kHz

Sensitivity:

FM	3.1 μ V/ 50 mW H.P. output (-3 dB Limit Sens.)
LW	79 μ V/m/ 50 mW H.P. output (Max.)
MW	50 μ V/m/ 50 mW H.P. output (Max.)
SW	6.3 μ V/ 50 mW H.P. output (Max.)

Power Requirement:

AC

(EB)...240 V, 50 Hz

(E)(EI)...230 V, 50 Hz

Battery

6 V (Four R14/LR14, UM-2 batteries)

Power Consumption:

5 W (AC only)

Speaker:

10 cm PM dynamic speaker, 2.7 Ω

Output Power:

1.0 W (RMS...max.)

Output Jack:

EARPHONE; \varnothing 3.5, 3 – 8 Ω

Dimensions:

244 (W) \times 142 (H) \times 92(D) mm

Weight:

935 g (without batteries)

Notes:

1. Weight and dimensions shown are approximate.
2. Design and specifications are subject to change without notice.

⚠ WARNING

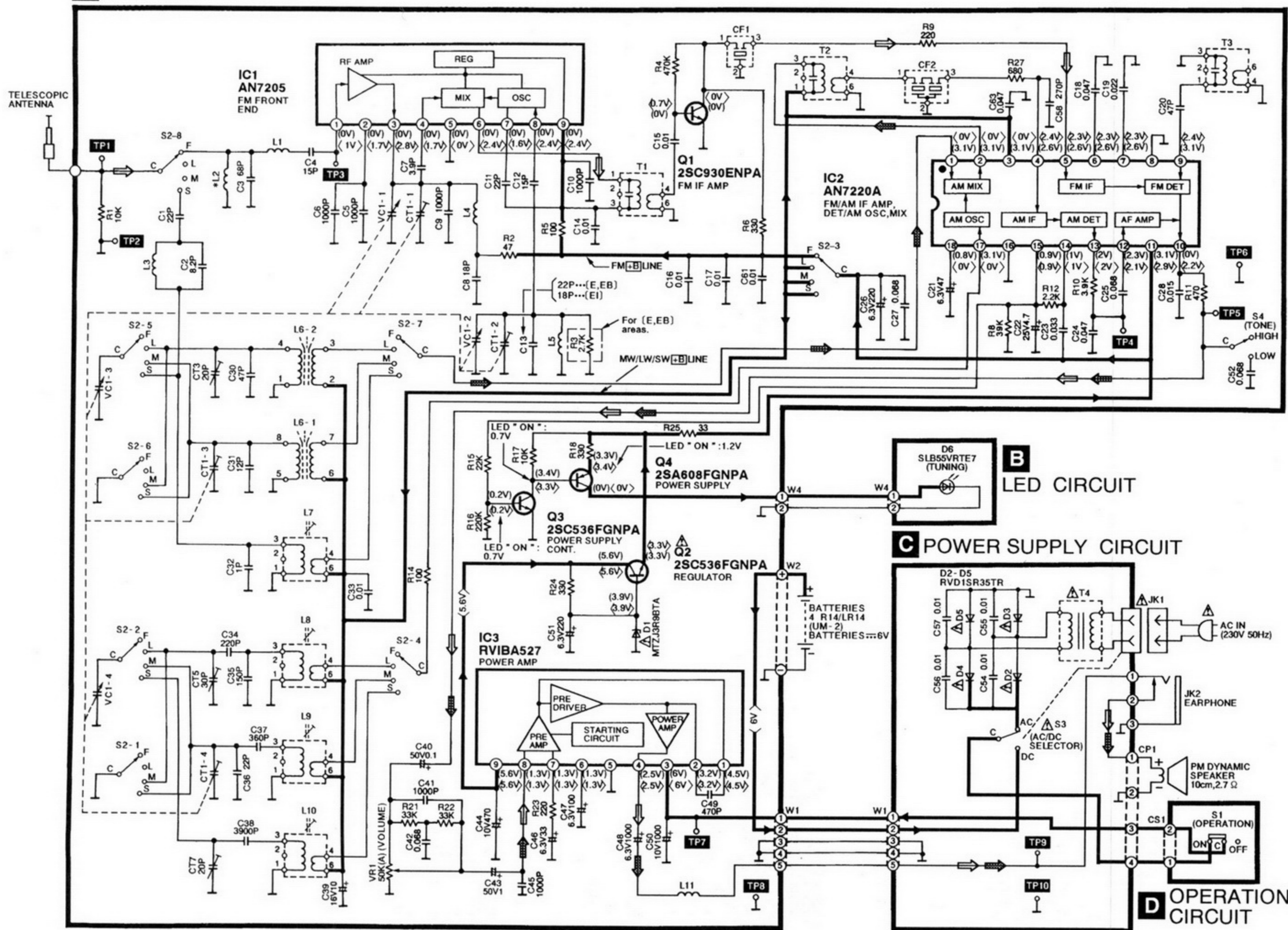
This service information is designed for experienced repair technicians only and is not designed for use by the general public. It does not contain warnings or cautions to advise non-technical individuals of potential dangers in attempting to service a product. Products powered by electricity should be serviced or repaired only by experienced professional technicians. Any attempt to service or repair the product or products dealt with in this service information by anyone else could result in serious injury or death.

Panasonic[®]

© 1995 Matsushita Electric Industrial Co., Ltd.
All rights reserved. Unauthorized copying
and distribution is a violation of law.

Schematic Diagram

A MAIN CIRCUIT



Notes:

- S1 : Operation on/off switch to "ON" position.
- S2-1~S2-8 : Band select switch to "FM" position.
(F...FM, L...LW, M...MW, S...SW)
- S3 : AC/DC select switch to "DC" position.
- S4 : Tone select switch to "HIGH" position.
- VR1 : Volume control VR.
- Battery current:
Vol. min...36 mA (FM) Vol. max...246 mA (FM)
31 mA (AM) 270mA (AM)
- Measurement instruction
(AM (MW/LW/SW): 74 dB/m, 30% Mod.)
(FM: 60 dB, 30% Mod.)

• DC voltage measurements are taken with electronics voltmeter.
The negative terminal of the battery provides negative meter connection point.
() AM (MW/LW/SW) < > FM

• Important safety notice
Components identified by Δ mark have special characteristics important for safety.
When replacing any of these components, use only manufacturer's specified parts.

• This schematic diagram may be modified at any time with the development of new technology.

