

Service Manual

Radio

FM/AM/FM STEREO RADIO with
FEATHERWEIGHT STEREO HEADPHONES

RF-455



■ SPECIFICATIONS

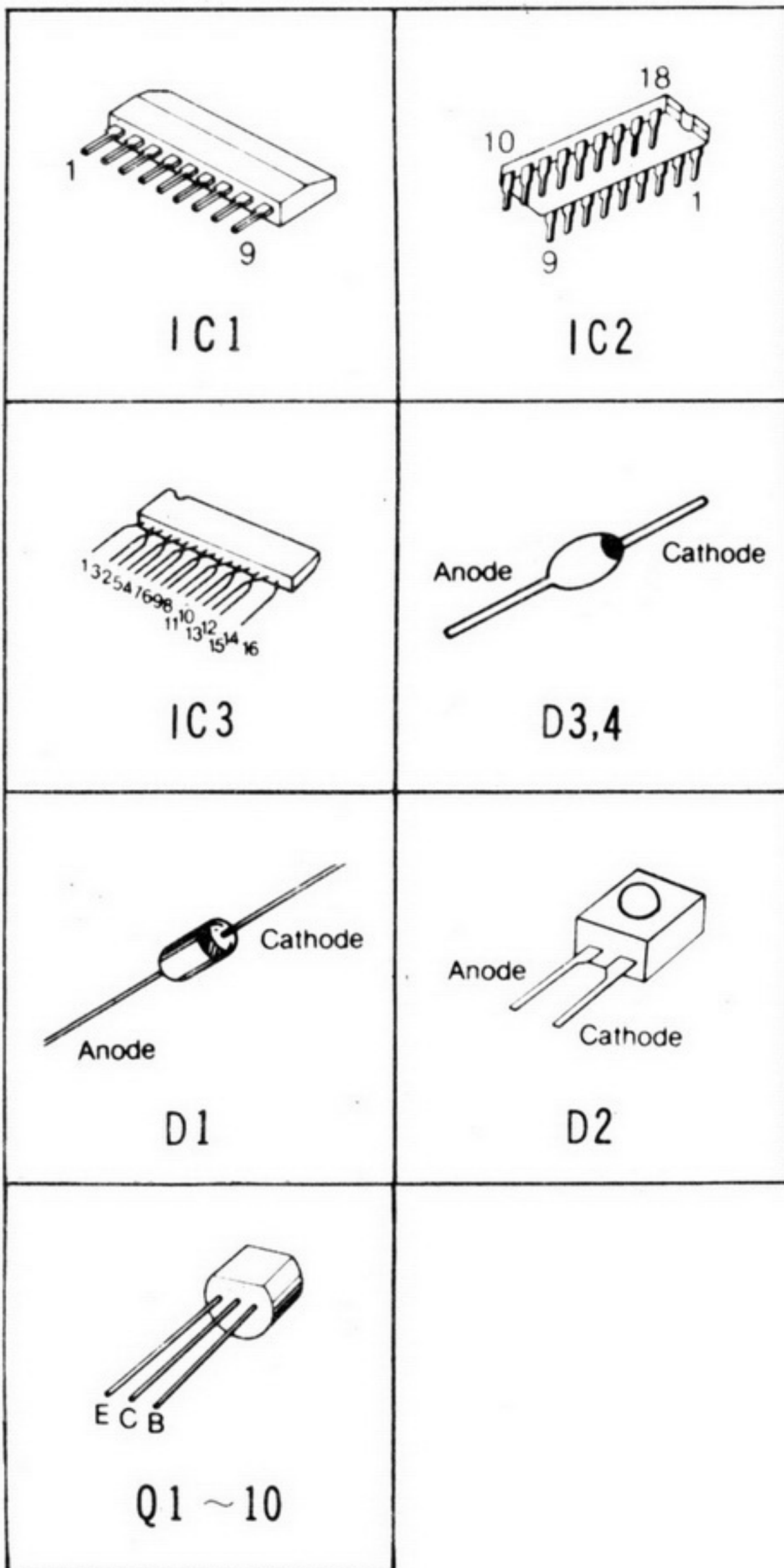
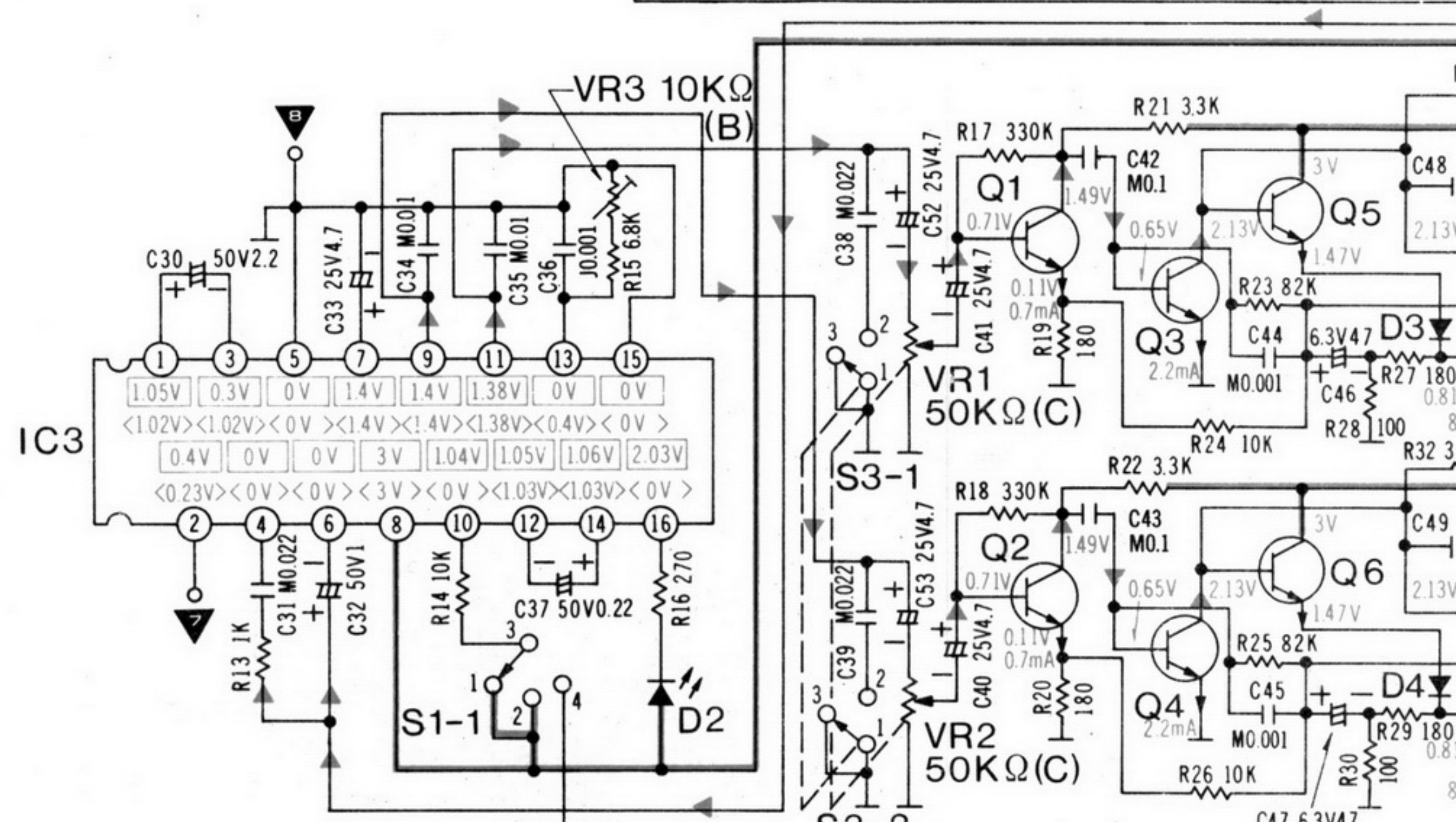
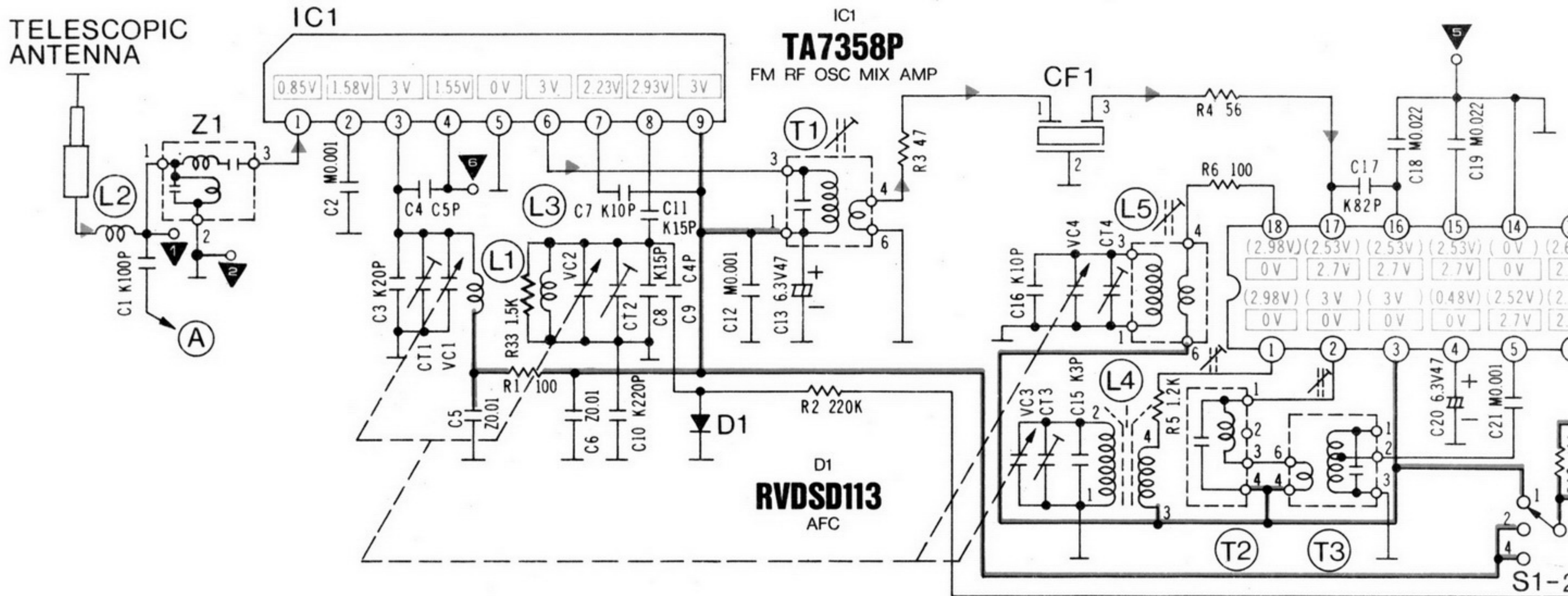
Frequency Range:	FM 87.5 ~ 108 MHz AM 520 ~ 1610 kHz (577 ~ 186 m)	Speaker:	6 cm (2 1/2") PM Dynamic Speaker (4 Ω)
Intermediate Frequency:	FM 10.7 MHz AM 455 kHz	Dimensions:	79 (Wide) × 122 (High) × 27 (Deep) mm (3 1/8" × 4 13/16" × 1 1/16")
Sensitivity:	FM 4 μV for 5 mW AM 159 μV/m for 5 mW Output	Weight:	190 g (6.7 oz) Without Batteries
Power Output:	130 mW Maximum	Impedance:	Headphones Jack 32 Ω
Batteries:	3V (Two "AAA" Size Penlight Batteries) (Panasonic UM-4 or equivalent)	● Featherweight Stereo Headphones	
		Input:	1 mW (Max. 25 mW)
		Impedance:	32 Ω
		Connection Cord:	1.5 m (59 1/16")
		Weight:	55 g (2 oz.) with cord

Specifications are subject to change without notice.

Panasonic

Matsushita Electric Trading Co., Ltd.
P.O. Box 288, Central Osaka Japan

SCHEMATIC DIAGRAM

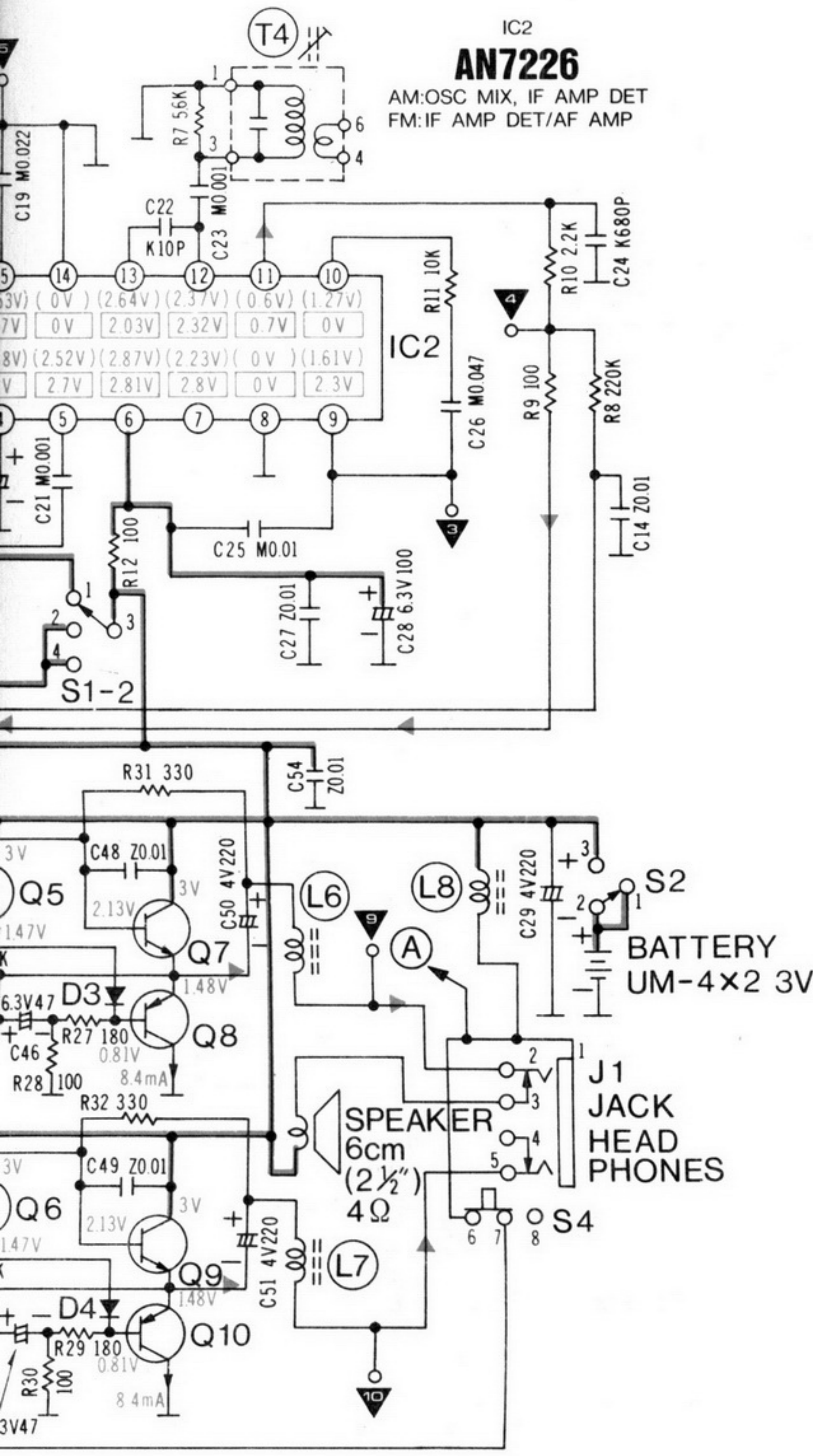


IC3 **BA1360** FM MPX D2 **LN25RP** STEREO EYE Q1~6 **2SC945Q1** DRIVE D3,4 **RVDKB165D** AOC

Notes:

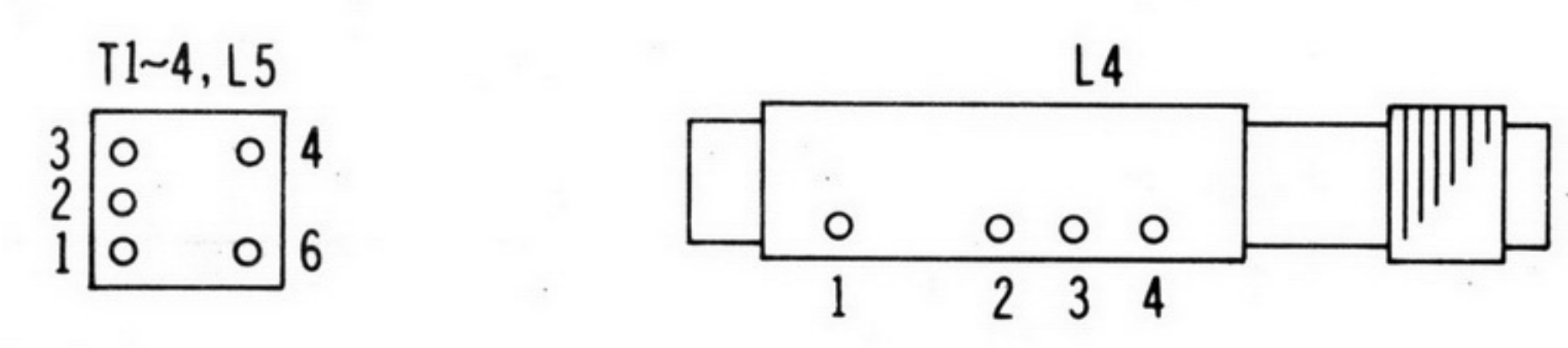
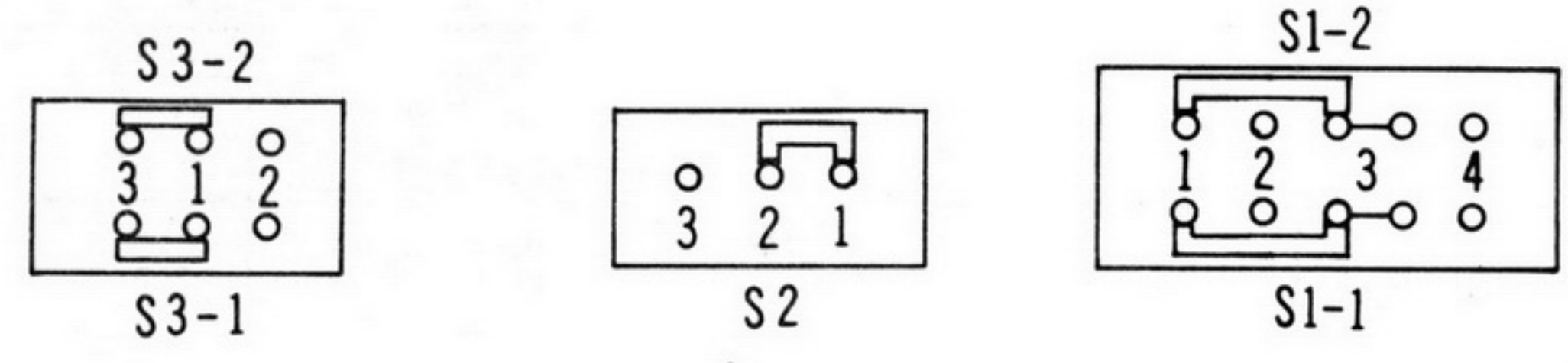
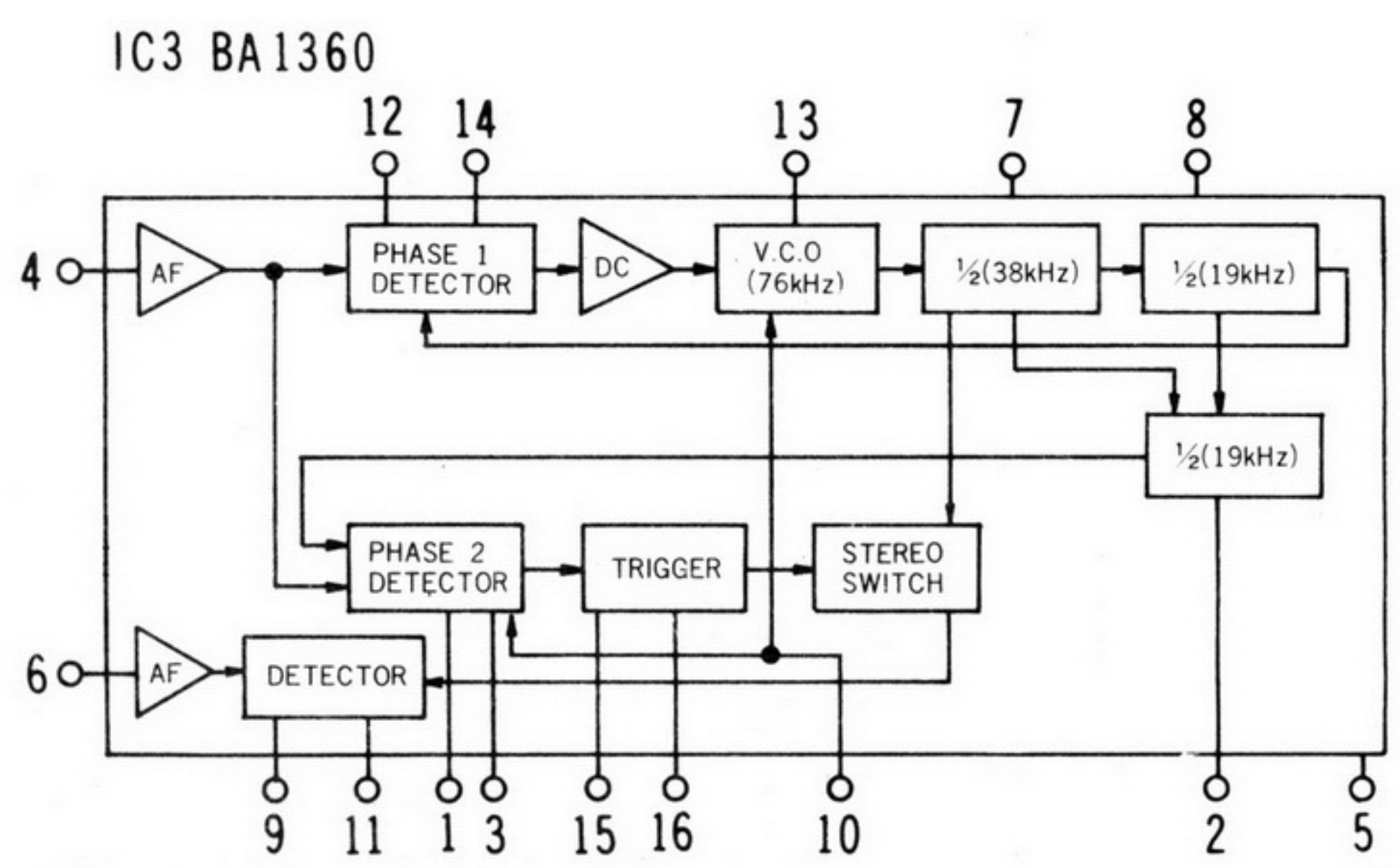
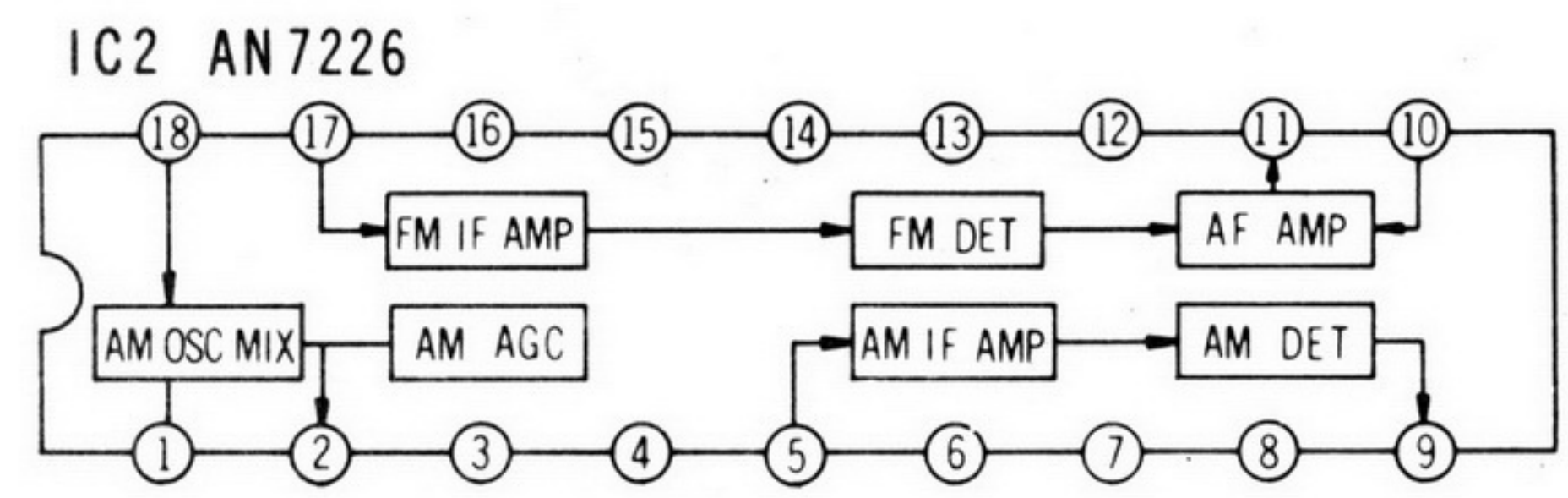
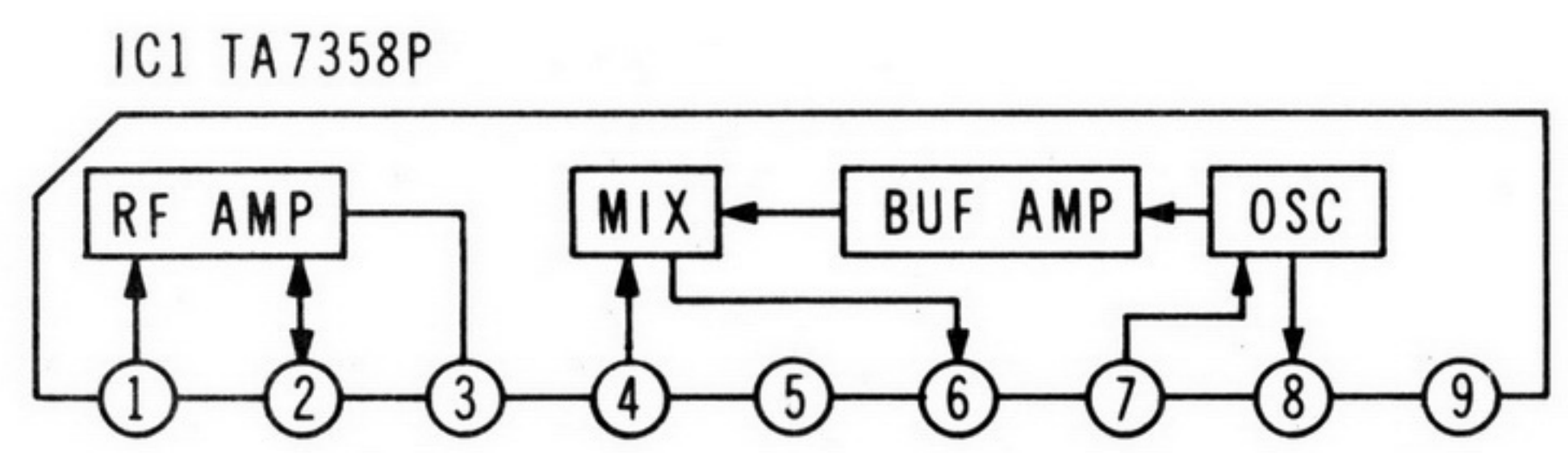
- S1-1, S1-2: Band switch in "AM" position. (①...AM, ②...FM, ④...FMST)
- S2: Power switch in "OFF" position, (1...OFF, 3...ON)
- S3-1, S3-2: Tone switch in "HIGH" position (2...LOW, 3...HIGH)
- DC voltage measurements are taken with electronics voltmeter based on negative terminal of Battery.
 □FM position, ()AM position.
 < >FM ST. position.
- Battery Current no Maximum output ...
- VR1,2..... VR3.....
7. + (B) Voltage ▶ FM Signal Line.
8. The mark (▼) Sho ▼Test point

RAM MODEL RF-455



- Q8, 10 **2SA952L1** COMP
- Q7, 9 **2SC2001L1** COMP
- Q4 **1165D** IC

Current no signal30mA
 m output95mA
Volume Control
VCO Adjustment
 B) Voltage Line.
 Signal Line.
 Mark (▼) Shows test point. e.g.
 Test point 1.



(BOTTOM VIEW)