

Service Manual

Radio
RF-527

(For West Germany)



■ SPECIFICATIONS

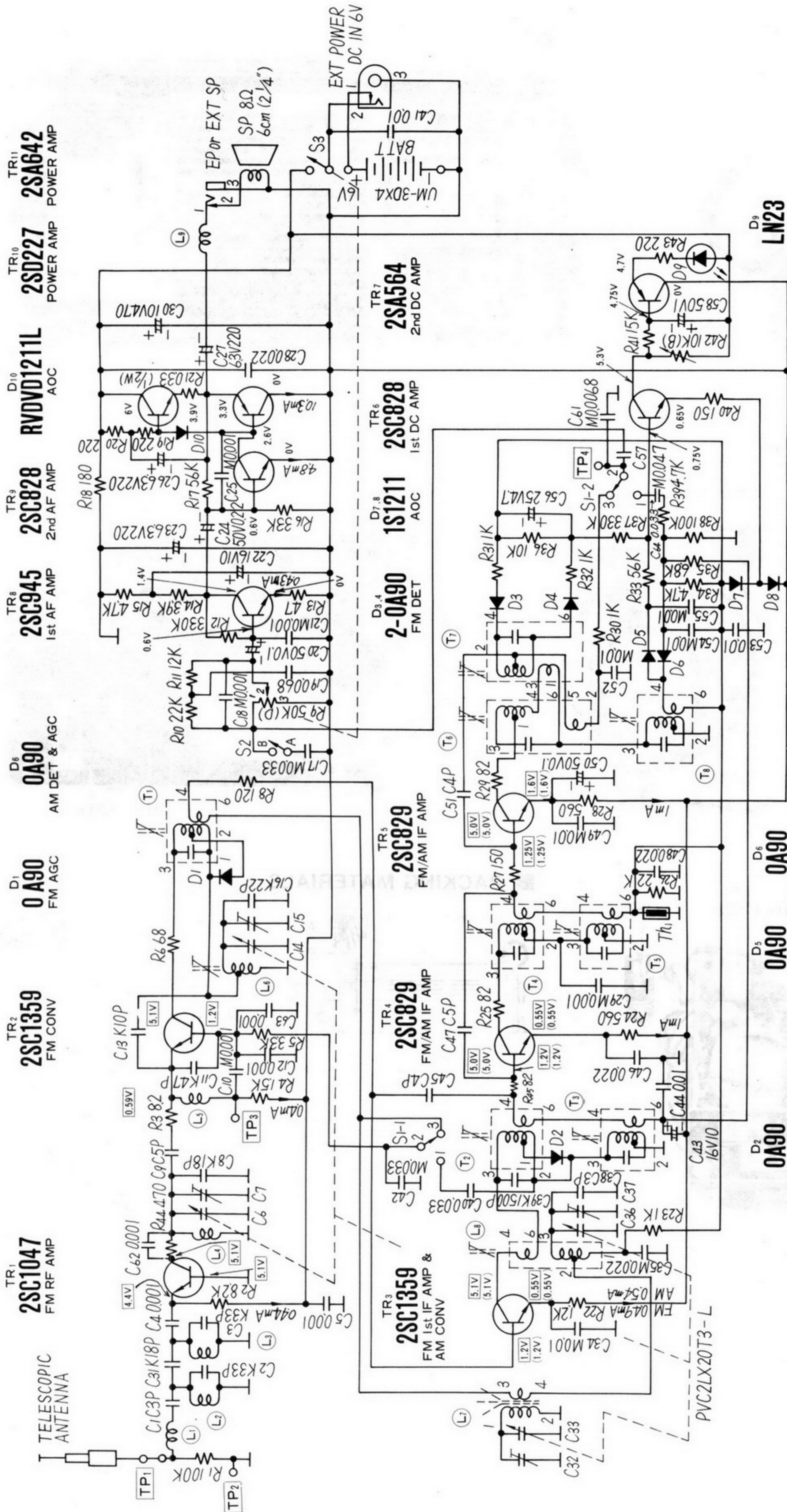
Frequency Range:	FM 87.5~108 MHz	Speaker:	6cm (2 $\frac{1}{4}$ "') PM Dynamic Speaker
	MW 525~1605 kHz (571~187m)	Dimensions:	177(Wide) x 81(High) x 45(Deep)mm (6 $\frac{3}{8}$ "' x 3 $\frac{1}{8}$ "' x 1 $\frac{3}{8}$ "')
Intermediate Frequency:	FM 10.7 MHz	Weight:	390 g (13.7 oz.) without batteries
	AM 455 kHz	Impedance:	Speaker8 Ω Earphone Jack8 Ω
Sensitivity:	FM 1 μ V for 50 mW Output		
	MW 50 μ V/m for 50 mW Output		
Power Output:	500 mW Maximum		
Batteries:	6V (Four "AA" Size Penlight Batteries) (National UM-3 or equivalent)		

Specifications are subject to change without notice for further improvement.

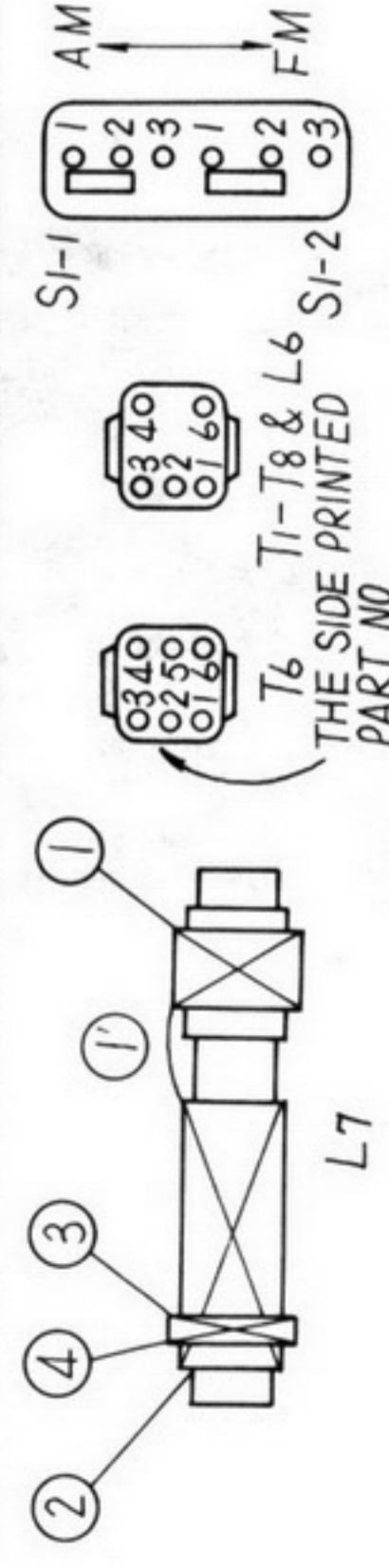
 **National Panasonic**

Matsushita Electric Trading Co., Ltd.
P.O. Box 288, Central Osaka, Japan

Schematic Diagram - Model RF-527



C	1	2	3	4	5	6	7	8	9	10	11	12	13	14	15	16	17	18	19	20	21	22	23	24	25	26	27	28	29	30	31	32	33	34	35	36	37	38	39	40	41	42	43	44	45	46	47	48	49	50	51	52	53	54	55	56	57	58	41
R	1	2	3	4	5	6	7	8	9	10	11	12	13	14	15	16	17	18	19	20	21	22	23	24	25	26	27	28	29	30	31	32	33	34	35	36	37	38	39	40	41	42	43	44	45	46	47	48	49	50	51	52	53	54	55	56	57	58	41



- Notes:**
- S1-1 ~ S1-2: Band selector switch in "FM" position.
 - S2: Tone switch in "HIGH" position.
 - S3: Power source switch in "OFF" position.
 - DC voltage measurements are taken with circuit tester 10kΩ/V from negative terminal of battery.
 - Battery current: () AM position.
 No signal FM & AM 19mA
 Maximum output FM & AM 150mA

BOTTOM VIEW