

Service Manual

Radio
RF-542

Supplement

FM / AM Portable Radio



Color

(K) Black Type
(W) White Type

Area

Country Code	Area	Color
(E)	Continental Europe	(K) (W)
(EB)	Great Britain	
(EG)	F.R Germany / Italy	

NOTES:

1. The supplement of this model was issued due to the transfer of factory.
2. The supplement was issued to replace the original.
3. The contents in the supplement mentioned full details and therefore the original is not needed.
4. Factors of changes
 - a) Initially the manufacturer was Tamaco (Made in Taiwan) and subsequently has been changed to Mesa (Made in Singapore).
 - b) The repair parts supplier has been changed.
(Especially the exterior)

■ SPECIFICATIONS

General:

Power Requirement : AC; (E) (EG) 220V; 50Hz
(EB) 240V; 50Hz
Battery; 6V (Four "AA" Penlight Batteries)
(Panasonic UM-3 (R6P/LR6) or equivalent)

Power Consumption : 3W (AC only)
Power Output : 720 mW RMS. (Max.)
Speaker : 8cm PM Dynamic Speaker 4Ω
Impedance : Earphone /EXT SP Jack 8Ω Ø3.5
Dimensions : 212 (W) x 161 (H) x 56 (D) mm
Weight : 610g without batteries.

Radio Section:

Radio Frequency Range : FM 87.5 ~ 108 MHz
AM 520 ~ 1610 kHz
Intermediate Frequency : FM 10.7 MHz
AM 455 KHz.
Sensitivity : FM 4.0 μV for 50 mW output (-3dB Limit, Sens.)
AM 159 μV/m for 50mW output

Notes:

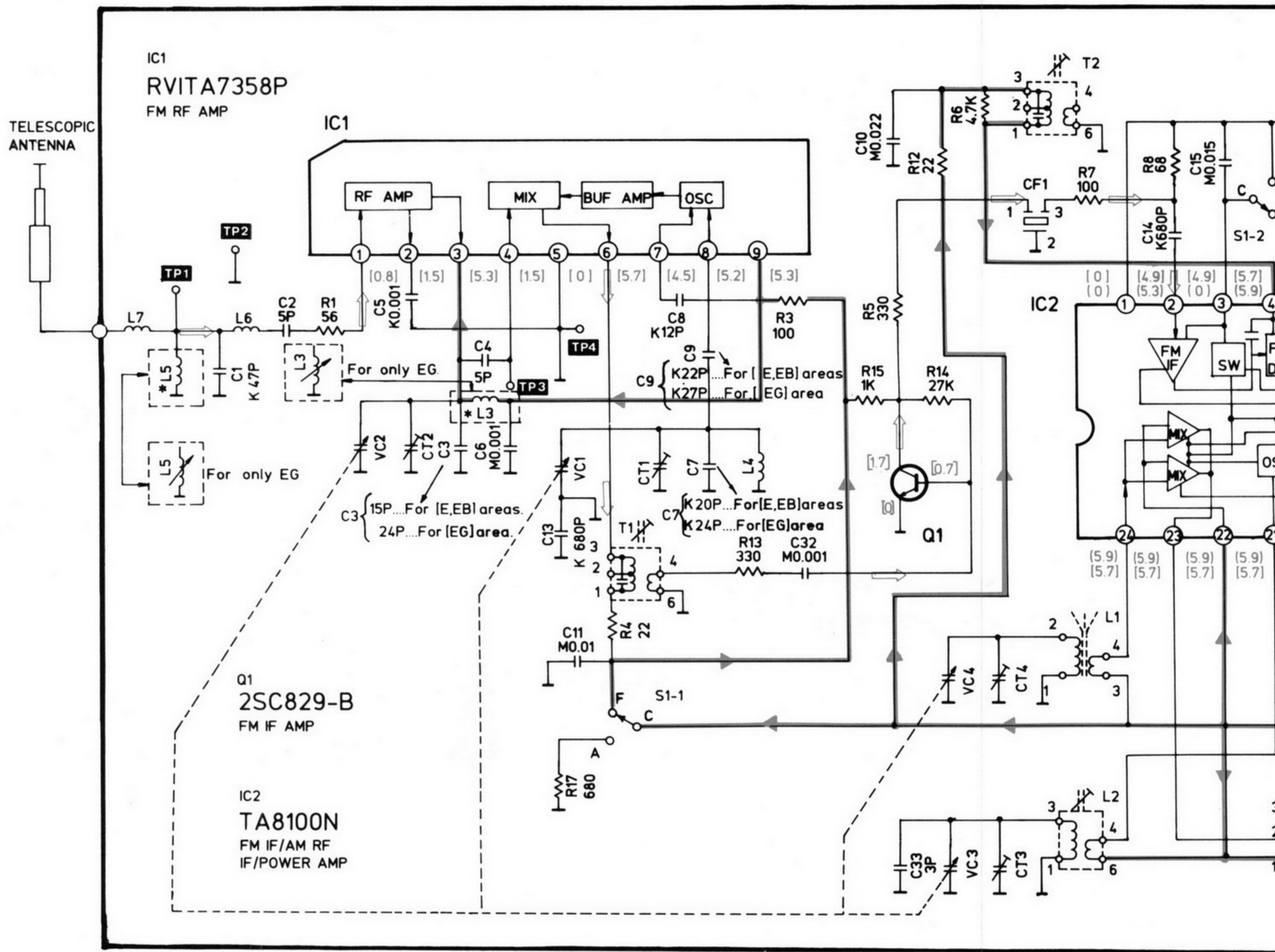
1. Weights and dimensions shown are approximate.
2. Design and specifications are subject to change without notice.

Panasonic

SCHEMATIC DIAGRAM

1 2 3 4 5

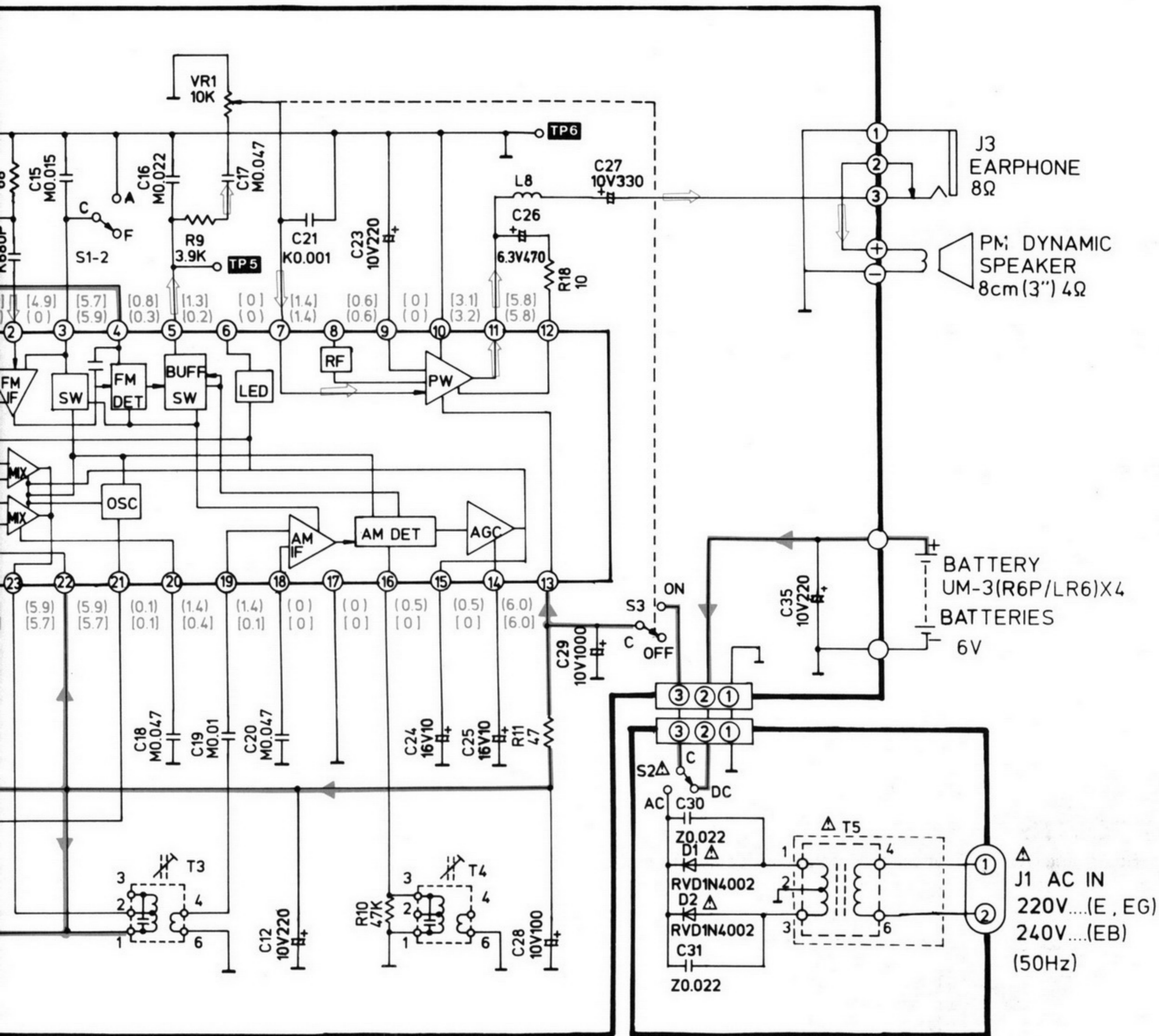
A
B
C
D
E
F



NOTES:

1. S1-1~S1-2: Band switch in "FM" position (F.....FM, A.....AM)
2. S2: Power select switch in "DC" position.
3. S3: Power switch in "OFF" position
4. DC voltage measurements are taken with electronics voltmeter based on negative terminal of battery.
[]..... FM position.
()..... AM position.
5. Battery current no signal20mA
Maximum output.....225mA
6. VR1....Volume control.
7. The mark (■) shows test point eg: **TP1** = test point 1.

8. The supply parts number is described alone in the replacement parts list.
9. Important safety notice:
Components identified by Δ mark have special characteristics important for safety. When replacing any of these components, use only manufacturers specified parts.
- **The Schematic diagram may be modified at any time with the development of new technology.**
- ➡ FM SIGNAL LINE
- ➡ + B LINE
- DC voltage measurements are taken with electronic voltmeter from negative line.



ment parts list.

istics important only

with the

meter from

