

# Service Manual

Radio

FM/LW/MW/SW  
5-BAND PORTABLE RADIO

## RF-788L



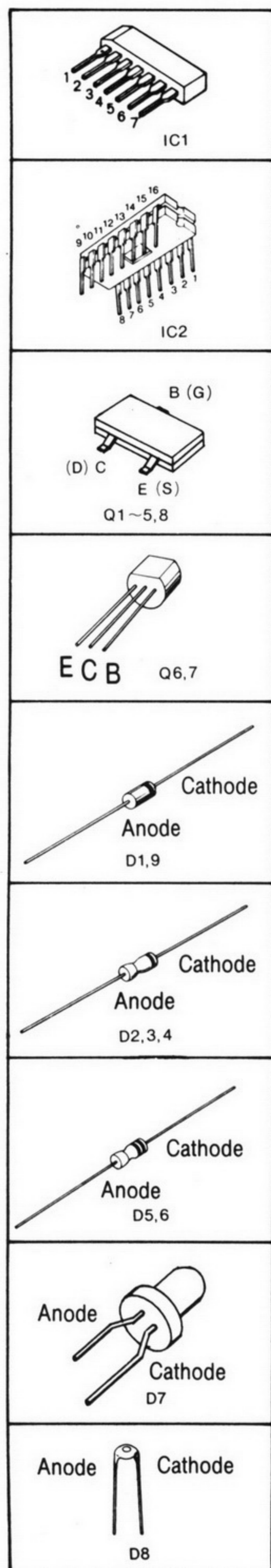
### ■ SPECIFICATIONS

Frequency Range:	FM	87.5~108 MHz
	LW	145~285 kHz (2060~1060m)
	MW	520~1610 kHz (577~186m)
	SW <sub>1</sub>	5.9~11 MHz (50.8~27.2m)
	SW <sub>2</sub>	11~18 MHz (27.2~16.7m)
Intermediate Frequency:	FM	10.7 MHz
Frequency:	AM (LW, MW & SW)	455 kHz
Sensitivity:	FM	3 $\mu$ V for 50mW output
	LW	200 $\mu$ V/m for 50mW output
	MW	200 $\mu$ V/m for 50mW output
	SW <sub>1</sub>	4 $\mu$ V for 50mW output
	SW <sub>2</sub>	4 $\mu$ V for 50mW output
Power Output:		500mW Maximum
Batteries:		6V (Four "AA" size penlight batteries) (National UM-3 or equivalent)

Speaker:	8 cm (3") PM Dynamic Speaker
Dimensions:	176(Wide) x 113(High) x 32(Deep)mm (6 $\frac{15}{16}$ " x 4 $\frac{7}{16}$ " x 1 $\frac{1}{4}$ " )
Weight:	0.49 kg. (1 lb. 0.6 oz.) without batteries
Impedance:	Speaker .....8 $\Omega$ Earphone Jack .....8 $\Omega$

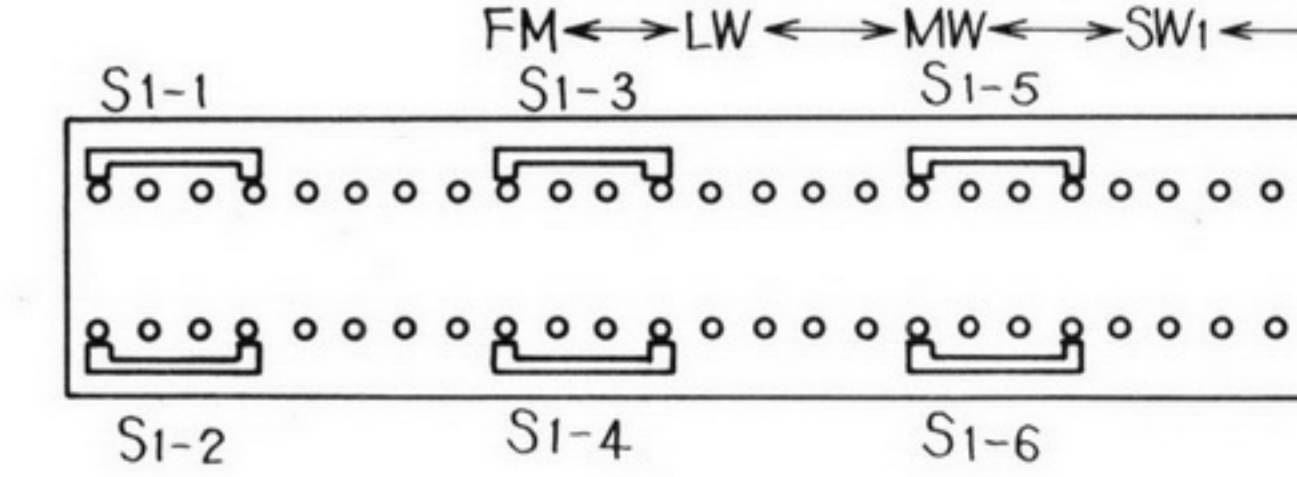
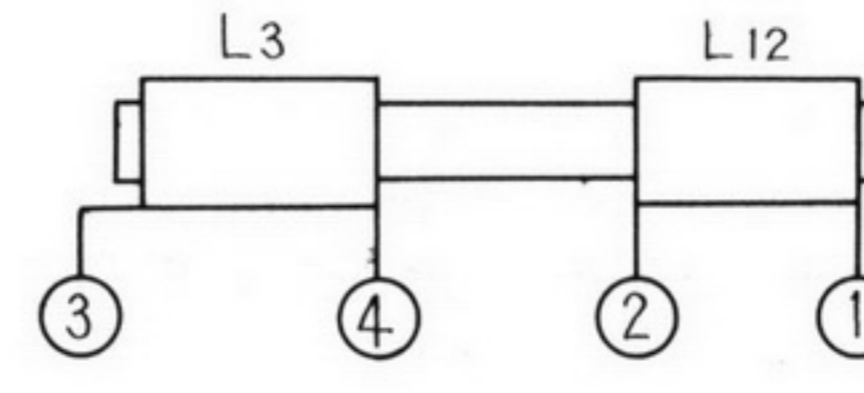
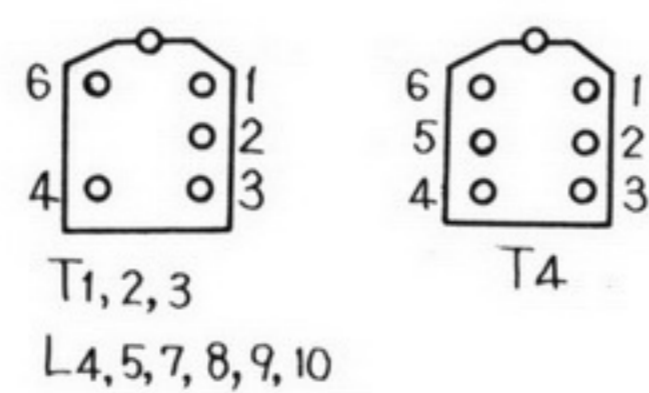
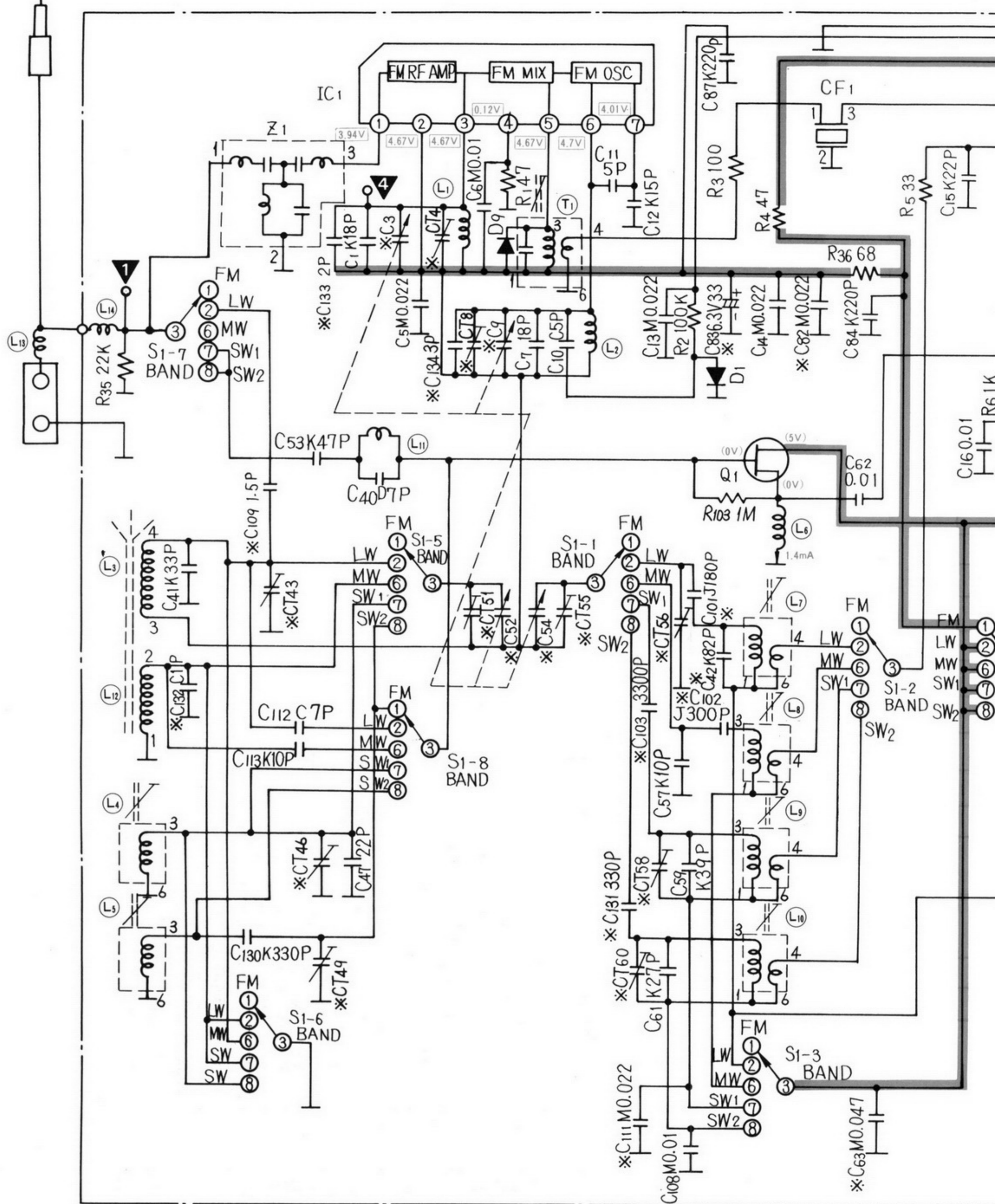
Specifications are subject to change without notice.

# Schematic Diagram



TELESCOPIC ANTENNA

IC<sub>1</sub> **AN7213** FM RF AMP. OSC & MIX  
 D<sub>9</sub> **MA150** FM D. AGC  
 D<sub>1</sub> **RVDS113** FM AFC  
 Q<sub>1</sub> **2SK160** AM RF AMP

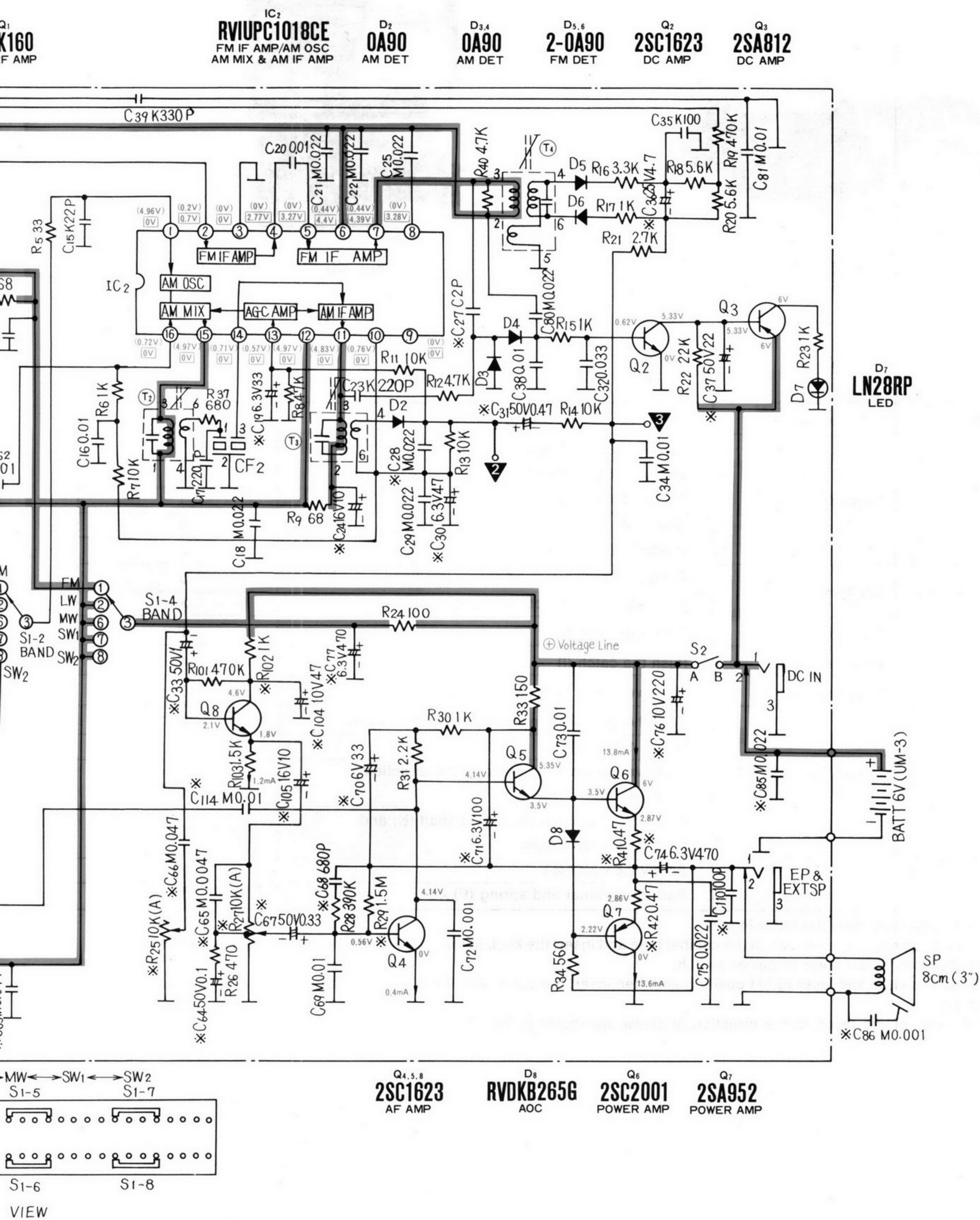


BOTTOM VIEW

**Notes:**

1. S1-1~S1-8: Band switch in "FM" position.
2. S2: Power switch in "OFF" position.
3. For resistors and capacitors, using chips except \* mark.

# Diagram - Model RF-788L



4. DC voltage measurements are taken with electronics voltmeter from negative terminal of battery.

□.....FM position ( ).....MW position

5. Battery current No signal .....28mA