

Service Manual

Radio
RF-7D

Ultra-Compact FM/AM Radio



■ SPECIFICATIONS

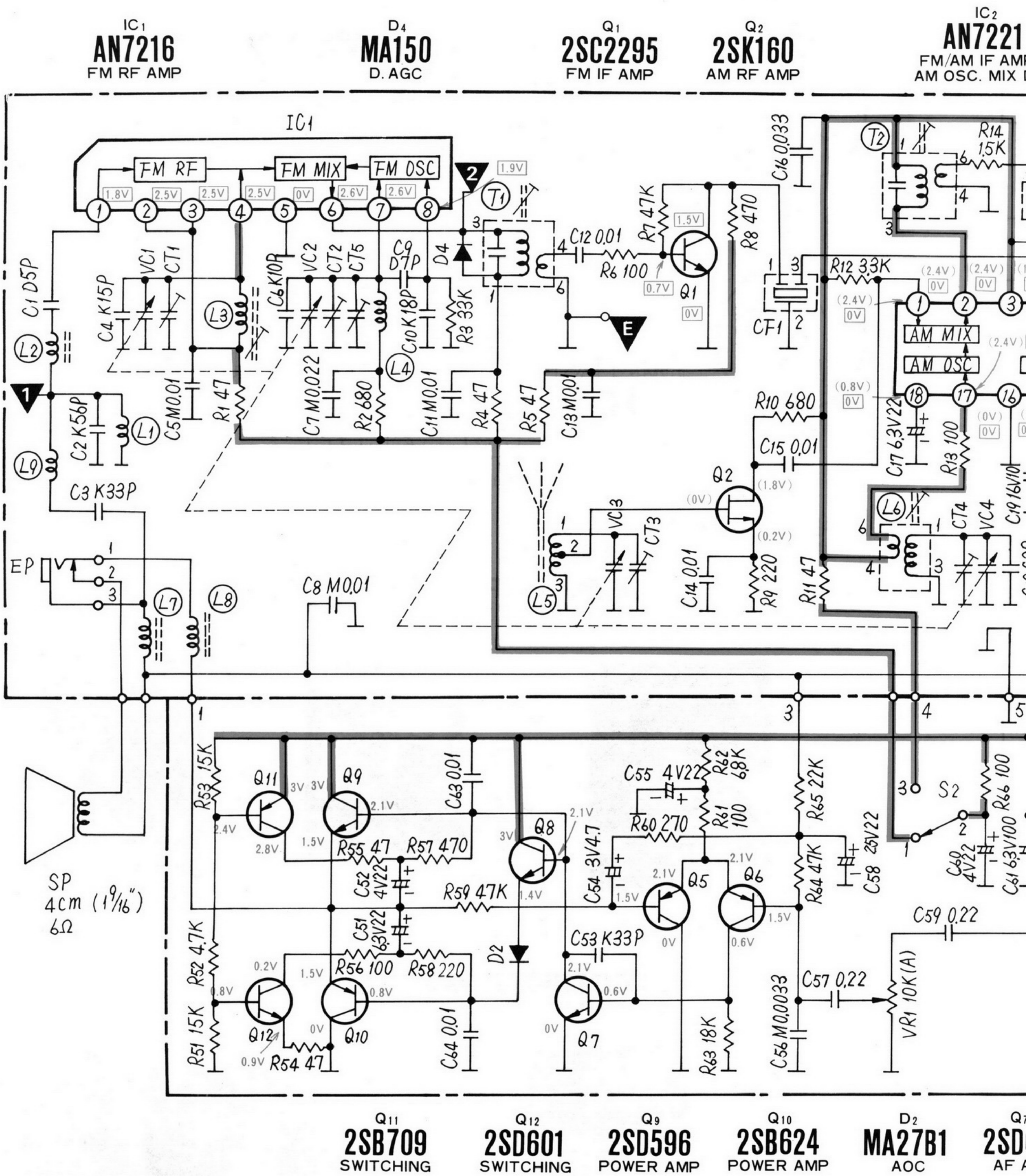
Frequency Range:	FM 87.5~108 MHz AM 520~1610 kHz (577~186 m)	Power Output:	240 mW (RMS Max)
Intermediate Frequency:	FM 10.7 MHz AM 455 kHz	Speaker:	4 cm (1½") PM Dynamic Speaker
Sensitivity:	FM 6.3μV for 50 mW Output AM 126μV/m for 50 mW Output	Dimensions:	53.5 (Wide)×65.8 (High)×20.7 (Deep) mm (2¼"×2½"×⅞")
Battery:	3 V (Two "AAA" size Penlight Batteries) (National UM-4 or equivalent)	Weight:	80 g (2.82 oz) with batteries
		Impedance:	Speaker 6Ω Earphone Jack 32Ω

Specifications are subject to change without notice.

Panasonic

Matsushita Electric Trading Co., Ltd.
P.O. Box 288, Central Osaka Japan

SCHEMATIC DIAGRAM M



IC₁
AN7216
FM RF AMP

D₄
MA150
D. AGC

Q₁
2SC2295
FM IF AMP

Q₂
2SK160
AM RF AMP

IC₂
AN7221
FM/AM IF AMP
AM OSC. MIX

Q₁₁
2SB709
SWITCHING

Q₁₂
2SD601
SWITCHING

Q₉
2SD596
POWER AMP

Q₁₀
2SB624
POWER AMP

D₂
MA27B1
AOC

Q₇
2SD
AF A

Notes:

- 1. S1: Power switch in "OFF" position.
- 2. S2: Band switch in "FM" position. (① ... FM, ③ ... AM)
- 3. DC voltage measurements are taken with electronic voltmeter from negative terminal of battery.
 ... FM position, () ... AM position.

- 4. Battery current, No signal 23 mA
 Maximum 150 mA
- 5. VR1 ... Volume Control.

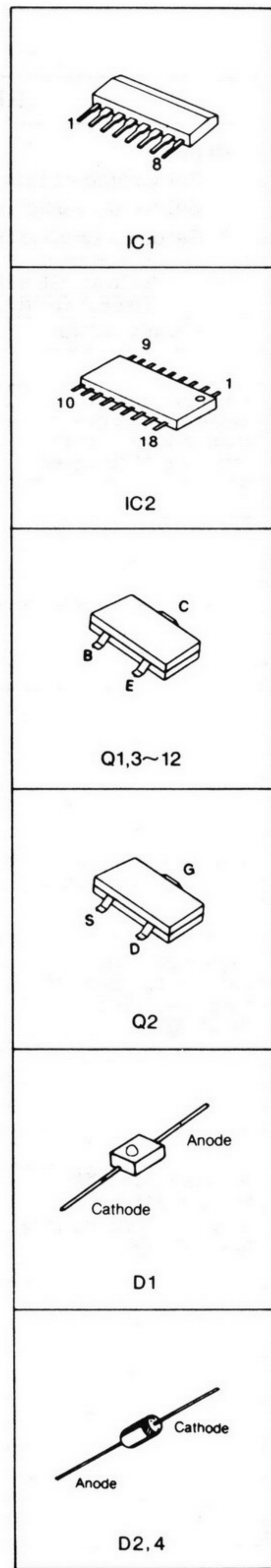
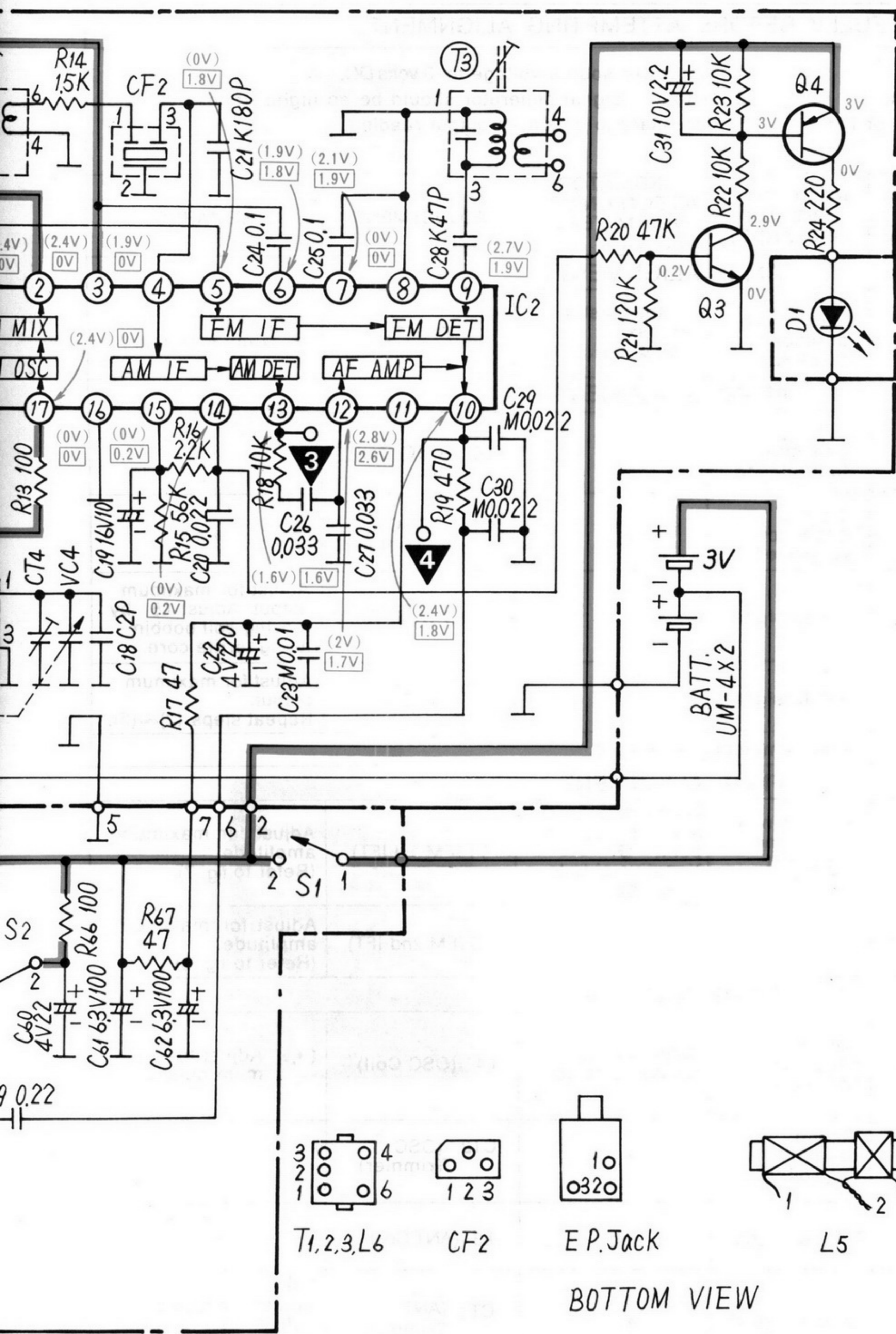
GRAM MODEL RF-7D

IC₂
AN7221
M/AM IF AMP &
OSC. MIX DET

Q₃
2SD601
TUNING AMP

Q₄
2SA812
TUNING DET

D₁
RVDPR2202S
TUNING IND



Q_{7,8}
2SD601
AF AMP

Q_{5,6}
2SB709
AF AMP

