

Service Manual

Stereo Cassette Player

Mini Cassette
RQ-JA60

(Black) (Silver)
(Red) (Yellow)



This is the Service Manual for the following areas.

- Z** ...For all European areas except United Kingdom and F.R. Germany.
- E** ...For United Kingdom.
- G** ...For F.R. Germany.

■ SPECIFICATIONS

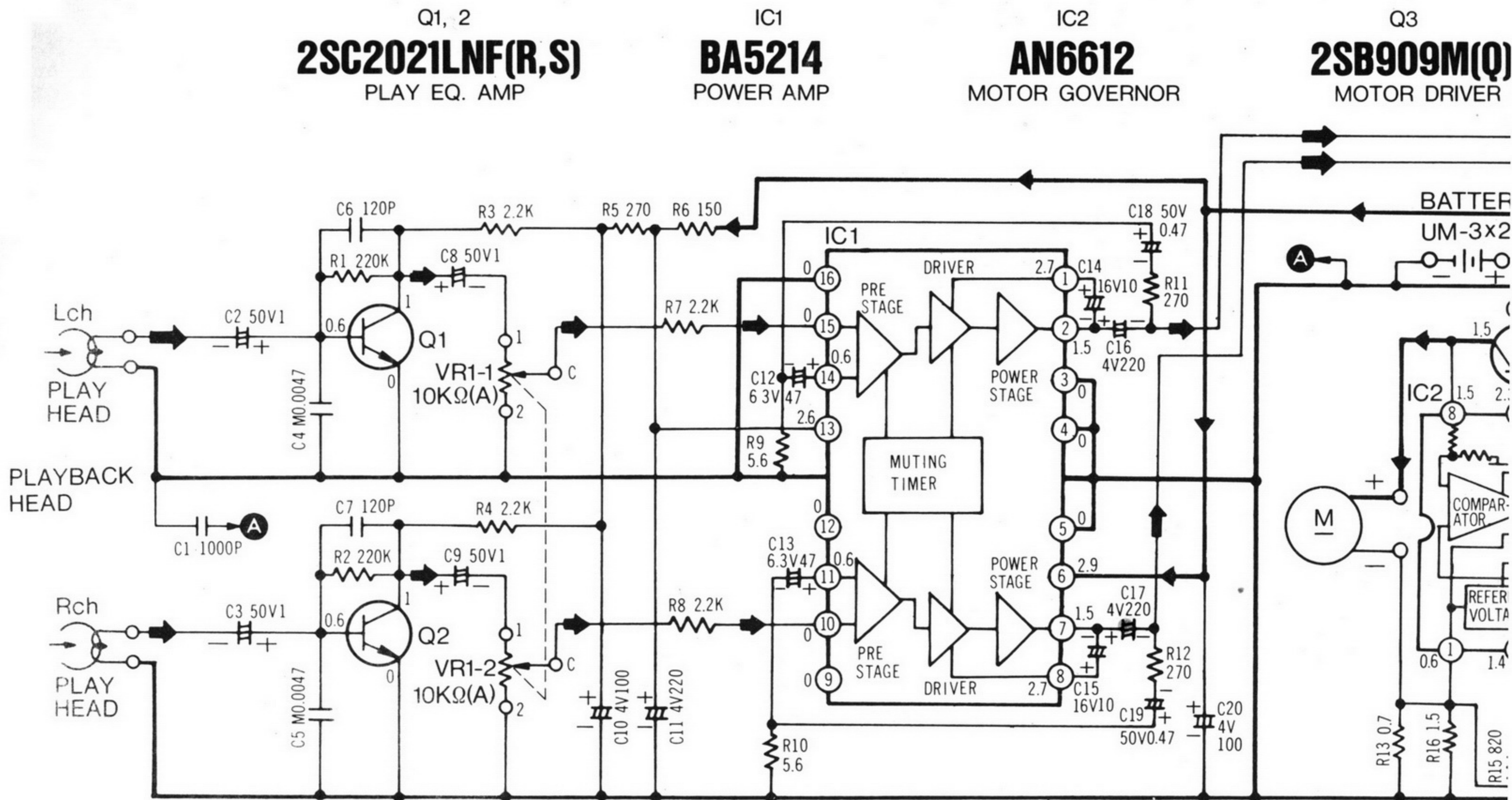
Power requirement:	Battery; 3V (two UM-3, "AA" size batteries) Z G ...AC; 220V, 50Hz with optional AC adaptor RD-9443HS E ...AC; 240V, 50Hz with optional AC adaptor RD-9443HE
Power output:	40mW (20mWx2)...RMS (max.)
Motor:	Electrical governor motor
Frequency range:	80~8,000Hz
Track system:	4-track 2-channel stereo playback
Tape speed:	4.8cm/s
Fast forward and rewind time:	Approx. 160 seconds with C-60 cassette tape
Input:	DC in; 3V (mini jack) ϕ 2.5
Output:	Headphones; 32 Ω / ϕ 3.5
Dimensions:	3 $\frac{3}{8}$ "(W)x4 $\frac{1}{2}$ "(H)x1 $\frac{7}{16}$ "(D) [86mm(W)x114mm(H)x37mm(D)]
Weight:	7.6 oz (215g) without batteries

Design and specifications are subject to change without notice.

Panasonic

Matsushita Electric Trading Co., Ltd.
P.O. Box 288, Central Osaka Japan

SCHEMATIC DIAGRAM MODEL RQ-JA61



REPLACEMENT PARTS LIST

(T) Mark stands for that the parts are supplied in TAMACO.
()Supply Parts Number

Ref. No.	Part No.	Part Name & Description
INTEGRATED CIRCUIT TRANSISTORS		
IC1	BA5214 (RVIBA5214)	IC
IC2	AN6612	IC
Q1,2	2SC2021LNR	Transistor (Si)
Q3	2SB909MQ	Transistor (Si)
VARIABLE RESISTORS		
VR1-1,1-2(T)	RVV2H3A14	Variable Resistor, 10K Ω (A), Volume Control
VR2(T)	RVNAC32B2	Variable Resistor, 300 Ω
SWITCH		
S1	RFA49Z	Leaf Switch (Power)
JACKS		
J1	RJJ1D26Z	Jack, Headphone
J2	RJB2Z	Jack, DC IN

ELECTRICAL PARTS LIST

Numbering System of Resistor

Example	25	F	J	101
ERD	Wattage	Shape	Tolerance	Value (100 Ω)
ERX	2	AN	J	2R2
Type	Wattage	Shape	Tolerance	Value (2.2 Ω)

Numbering System of Capacitor

Example	1H	102
ECKD	Voltage	Value (1000 pF)
ECEA	50	M
Type	Voltage	Peculiarity

Resistor Type	Wattage Tolerance
ERD: Carbon	10: 1/8 WJ: ±5%
ERG: Metal Film	12: 1/2 W
ERX: Metal Film	25: 1/4 W
ERQ: Fuse Type Metal	1: 1 W
RRD: Carbon (Chip Type)	18: 1/8 W

Capacitor Type	Voltage	
	ECEA Type	
ECEA: Electrolytic	0J : 6.3 V	2H : 100 V
ECCD: Ceramic	1A : 10 V	1 : 100 V
ECKD: Ceramic	1C : 16 V	DKC
ECQM: Polyester	1E : 25 V	
	1H : 50 V	
ECQP: Polypropylene	1V : 35 V	
	50 : 50 V	
ECET: Electrolytic		
ECEA □ □ □ N: Non Polar Electrolytic	25 : 25 V	
QCUX: Ceramic (Chip Type)	16 : 16 V	

Ref. No.	Part No.	Ref. No.	Part No.
RESISTORS		CAPACITORS	
R1,2	ERDS2TJ224	C1,22	ECKD1H102ZF
R3,4,7,8	ERDS2TJ222	C2,3,8,9	ECEA50Z1
R5,11,12	ERDS2TJ271	C4,5	ECFVD472MD
R6	ERDS2TJ151	C6,7	ECKD1H121KB
R9,10	ERDS2TJ5R6	C10,20	ECEA0GK101
R13	ERSB43JR70	C11,16,17	ECEA0GS221
R14	ERSB15J103	C12,13	ECEA0JS470
R15	ERDS2TJ821	C14,15	ECEA1CS100
R16	ERD25FJ1R5	C18,19	ECEA50ZR47
		C21	ECEA50Z2R2

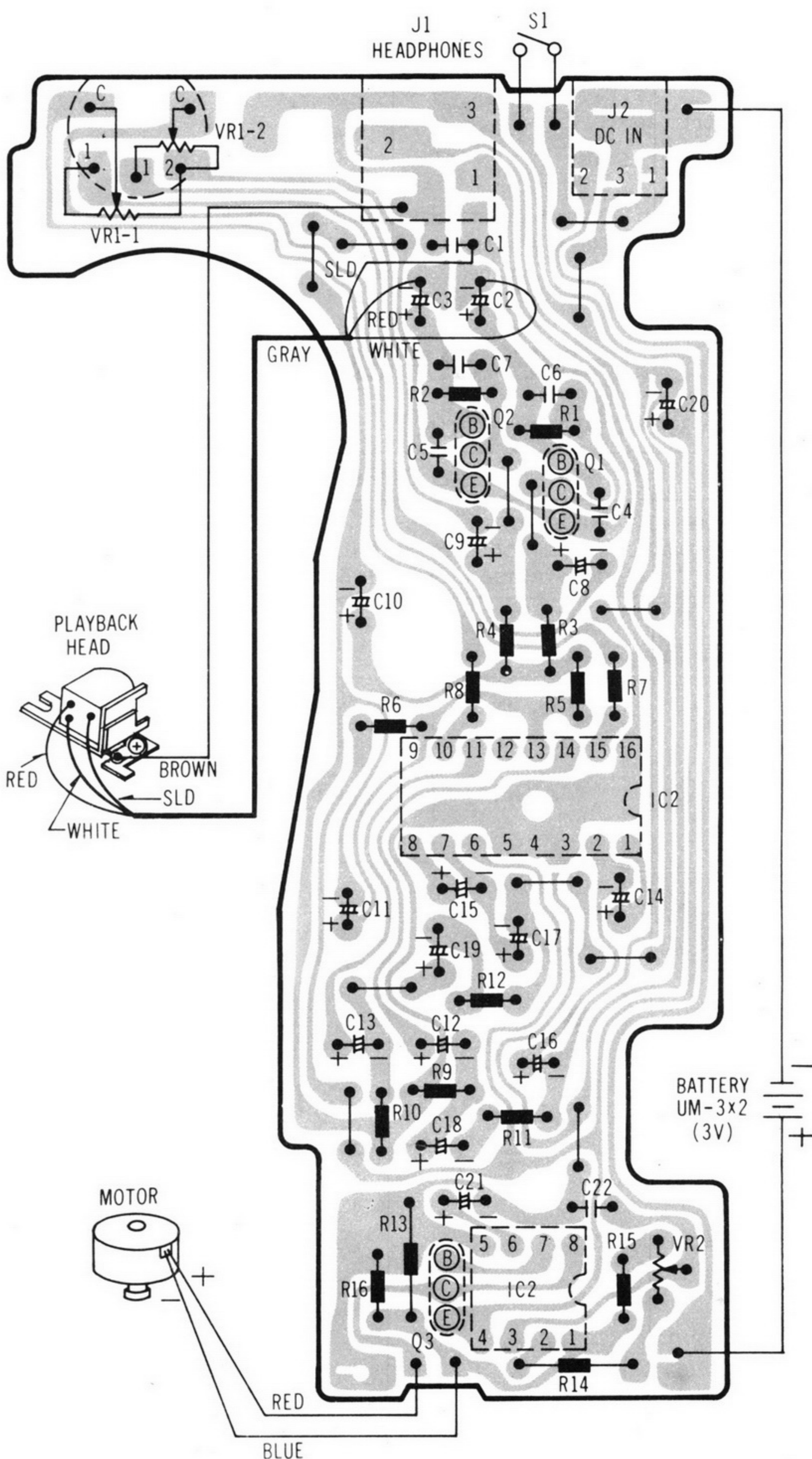
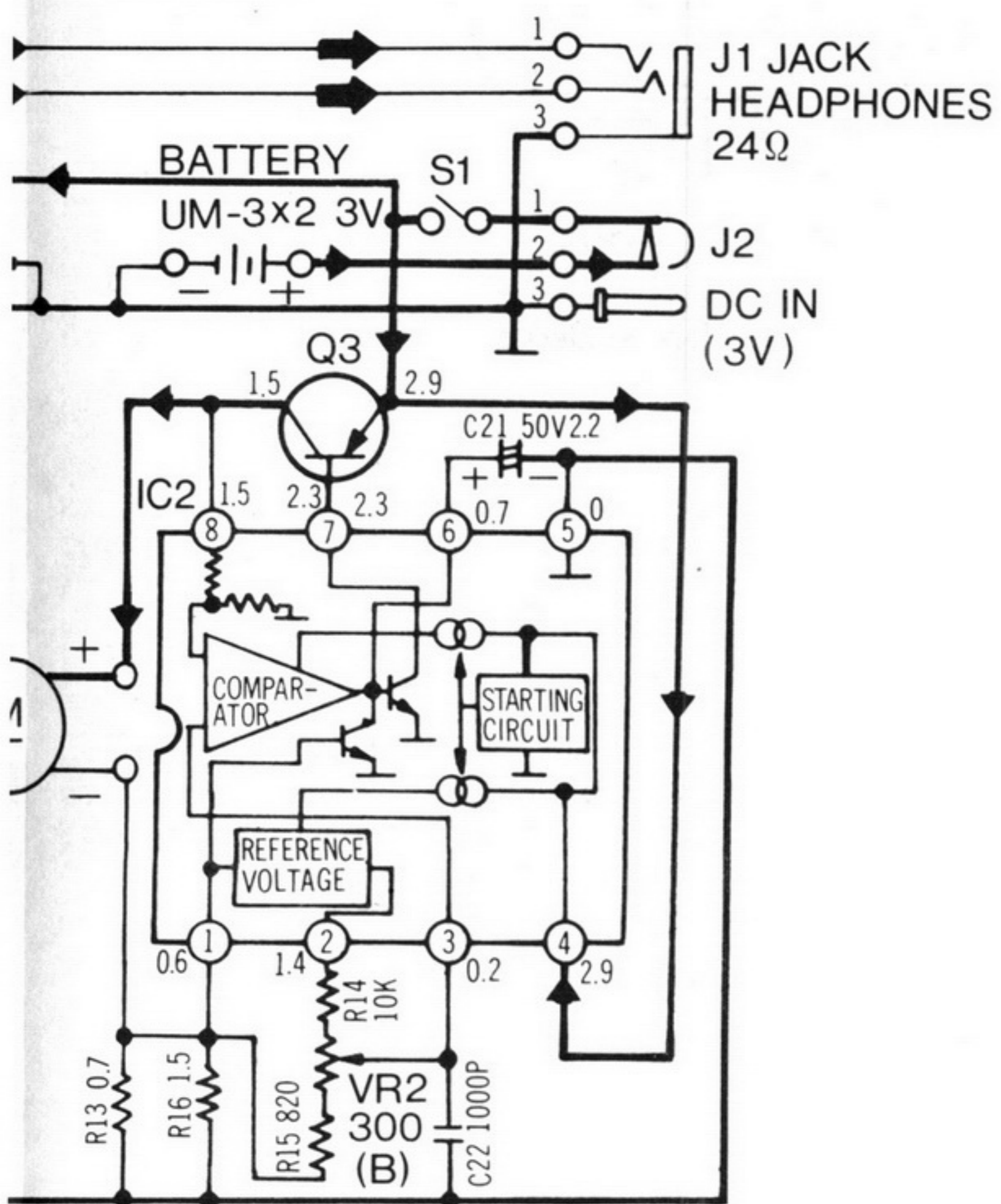
NOTES:

- S1: Power ON/OFF switch (shown in OFF position).
- VR1-1, 1-2: Volume control.
- VR2: Tape speed adjustment VR.
- this arrow indicates the flow of the playback signal.
- ➔ + (B) Voltage Line
— Ground Line
- Resistance are in ohms (Ω), 1/4 watt unless specified otherwise.
1K = 1,000 Ω, 1M = 1,000K Ω.

- Capacity are in microfarads
P = Pico-farads.
- All voltage values shown condition and playback r maximum position.
For measurement, use VT

CIRCUIT BOARD AND WIRING CONNECTION DIAGRAM MODEL RQ-JA61

Q3
SB909M(Q)
MOTOR DRIVER



Item of Capacitor

1H	102	Z	F
Voltage	Value (1000 pF)	Tolerance	Peculiarity
50	M	R47	
Voltage	Peculiarity	Value (0.47 μF)	

Voltage		Tolerance
ECEA Type	Other	
OJ : 6.3 V	2H : 500 V DC	C : ±0.25pF
1A : 10 V	1 : 100 V	J : ±5%
1C : 16 V	DKC : 400 V AC	K : ±10%
1E : 25 V		Z : +80%
1H : 50 V		-20%
1V : 35 V		P : +100%
50 : 50 V		-0%
Polar electrolytic (Type)	25 : 25 V	
(Type)	16 : 16 V	

Values are in microfarads (μF) unless specified otherwise.
 Values in farads.
 Resistance values shown in circuitry are under no signal
 condition and playback mode with volume control at
 minimum position.
 For measurement, use VTVM.

