

Service Manual

Mini Cassette

RQ-P202

Stereo Cassette Player

Colour

(K).....Black Type

Area

Suffix for Model No.	Area	Colour
[E]	Europe.	(K)



■ SPECIFICATIONS

General:

Power Requirement: Battery; 3V (two R6/LR6, UM-3 batteries)
AC; 220V, 50Hz (For UK: 240V, 50Hz)
with optional AC adaptor RP-AC33

Power Output: 40mW (20mW×2)···RMS (max.)

Input: DC IN; 3V (⊖ ⊕)

Output: Headphones; 20Ω φ3.5

Frequency Response: 50~14000Hz (Nor/CrO₂/Metal)

Motor: Electrical governor motor

Track System: 4-track 2-channel stereo playback

Tape Speed: 4.8cm/s

Dimensions: 114.2(W)×84.4(H)×33.1(D)mm

Weight: 153g without batteries

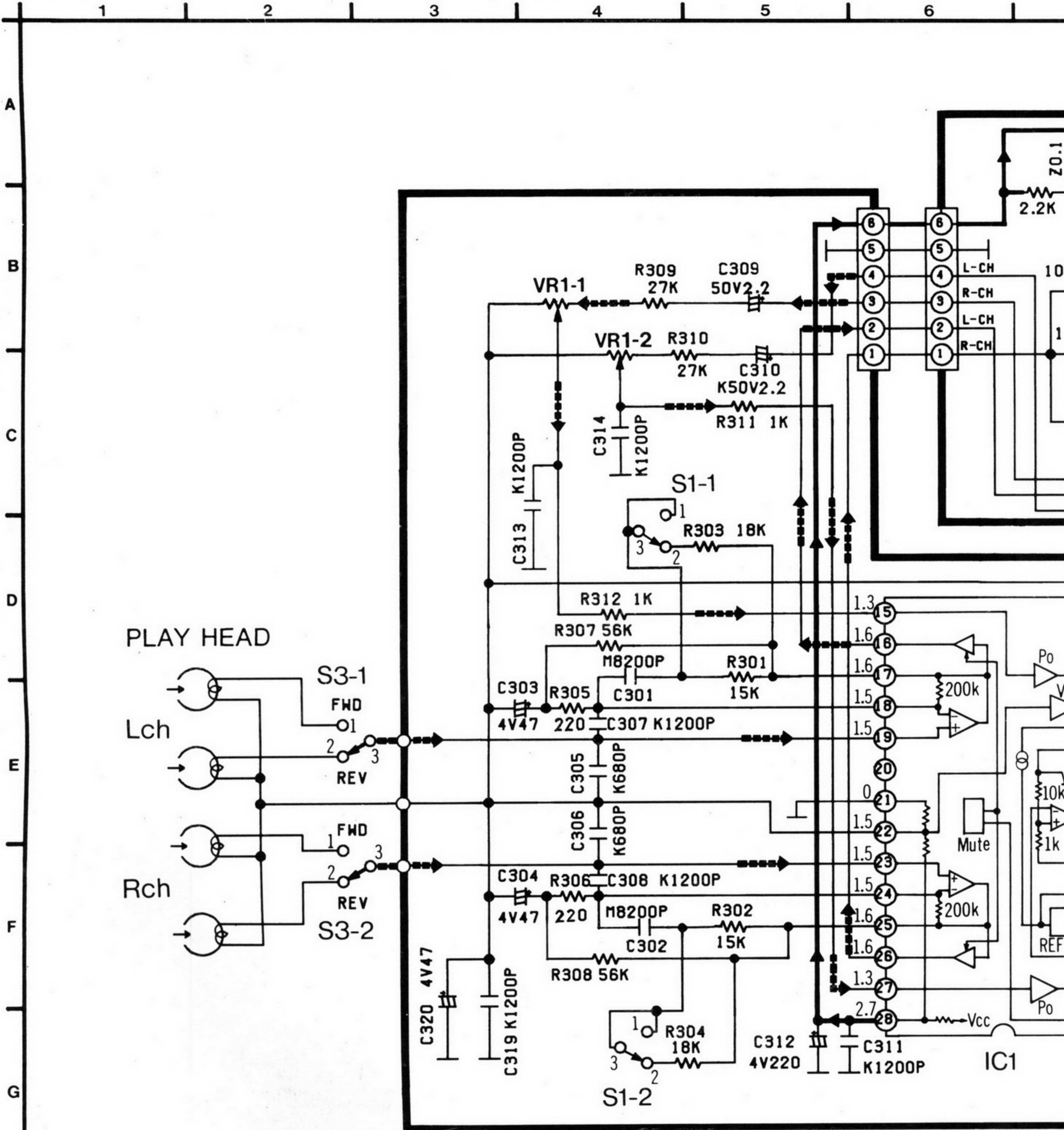
Notes:

1. Weights and dimensions shown are approximate.
2. Design and specifications are subject to change without notice.

Panasonic

SCHEMATIC DIAGRAM

RQ-P202 R

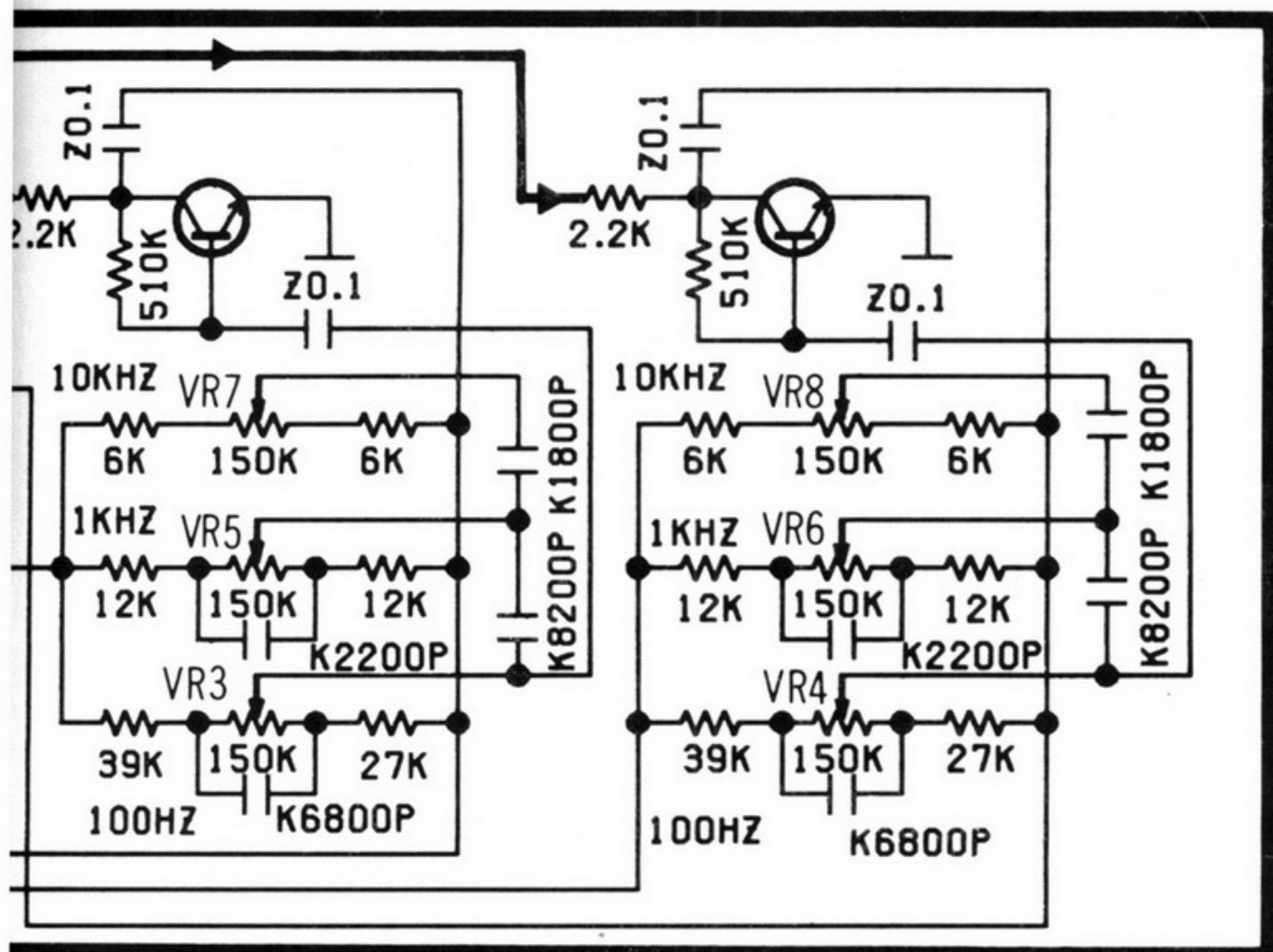


Notes:

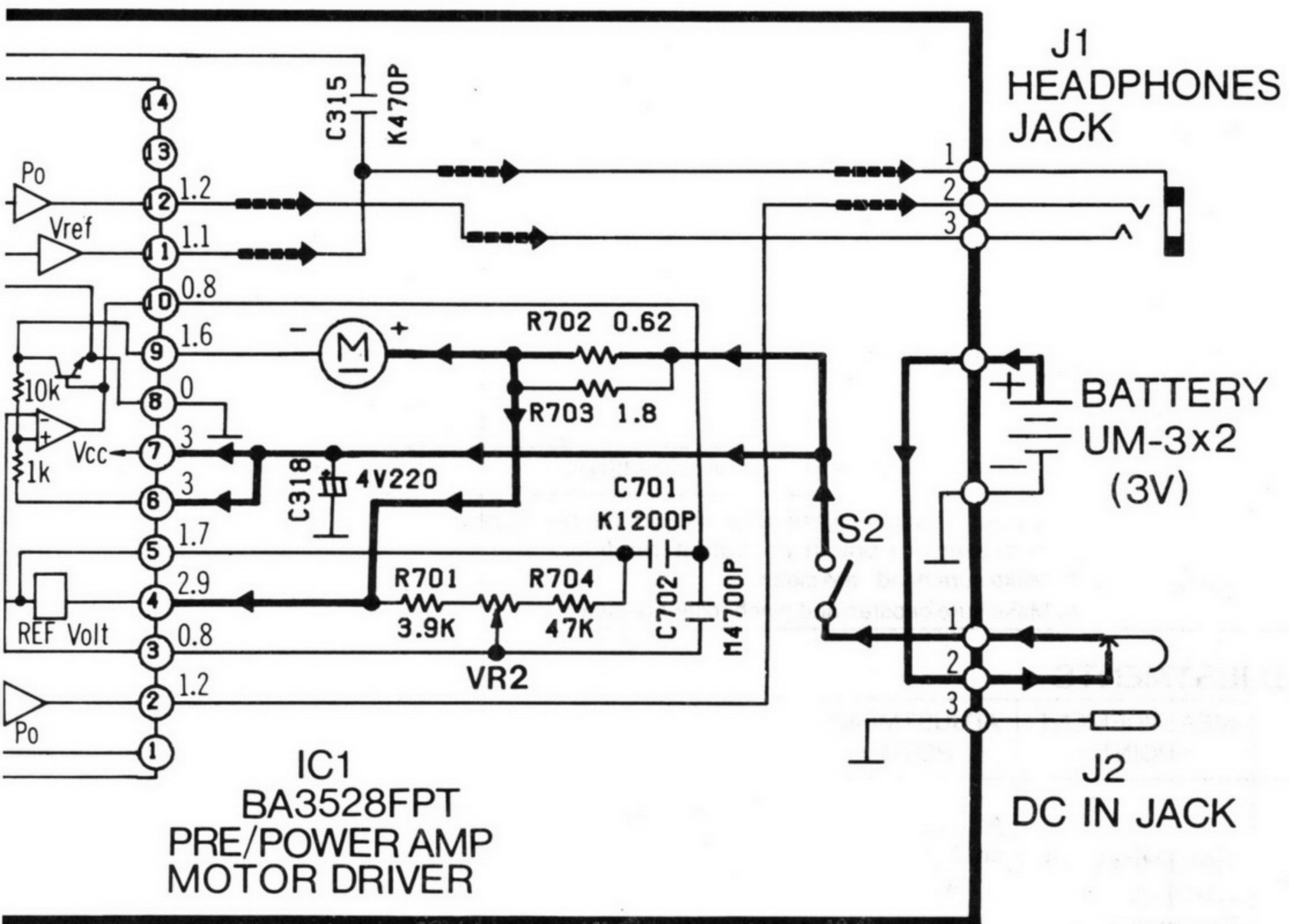
- S1-1, 1-2: Tape Selector Switch in "CrO₂/METAL" Position.
(1...Normal, 2...CrO₂/Metal)
- S2: Motor Switch in "OFF" Position.
- S3-1, S3-2: FWD/REV Selector Switch in "REV" Position.
(1...FWD, 2...REV)
- VR1-1: Volume Control VR. (Lch)
- VR1-2: Volume Control VR. (Rch)
- VR2: Tape Speed adjustment VR.

- VR3~8: Graphic Equalizer VR.
(VR3, 4: 100Hz)
(VR5, 6: 1kHz)
(VR7, 8: 10kHz)

● All voltage value shown in circuitry condition and playback mode with maximum position.



Notes:
 •The replacement part for the GRAPHIC EQ BLOCK is supplied only as part of an assembly.
 •It is not available individually.



VR.

- Battery current: Volume minimum output.....140mA
 Volume Maximum output.....240mA
 (315Hz 0dB tape QZZCFM playback)

- ———> +B Voltage Line.
- - - - -> Playback Signal.

cuity are under no signal
 e with volume control at

