

Service Manual

Mini Cassette

Stereo Cassette Player

RQ-P205

Colour

(K).....Black Type



Area

Suffix for Model No.	Area	Colour
[E]	Europe.	(K)

■ SPECIFICATIONS

General:

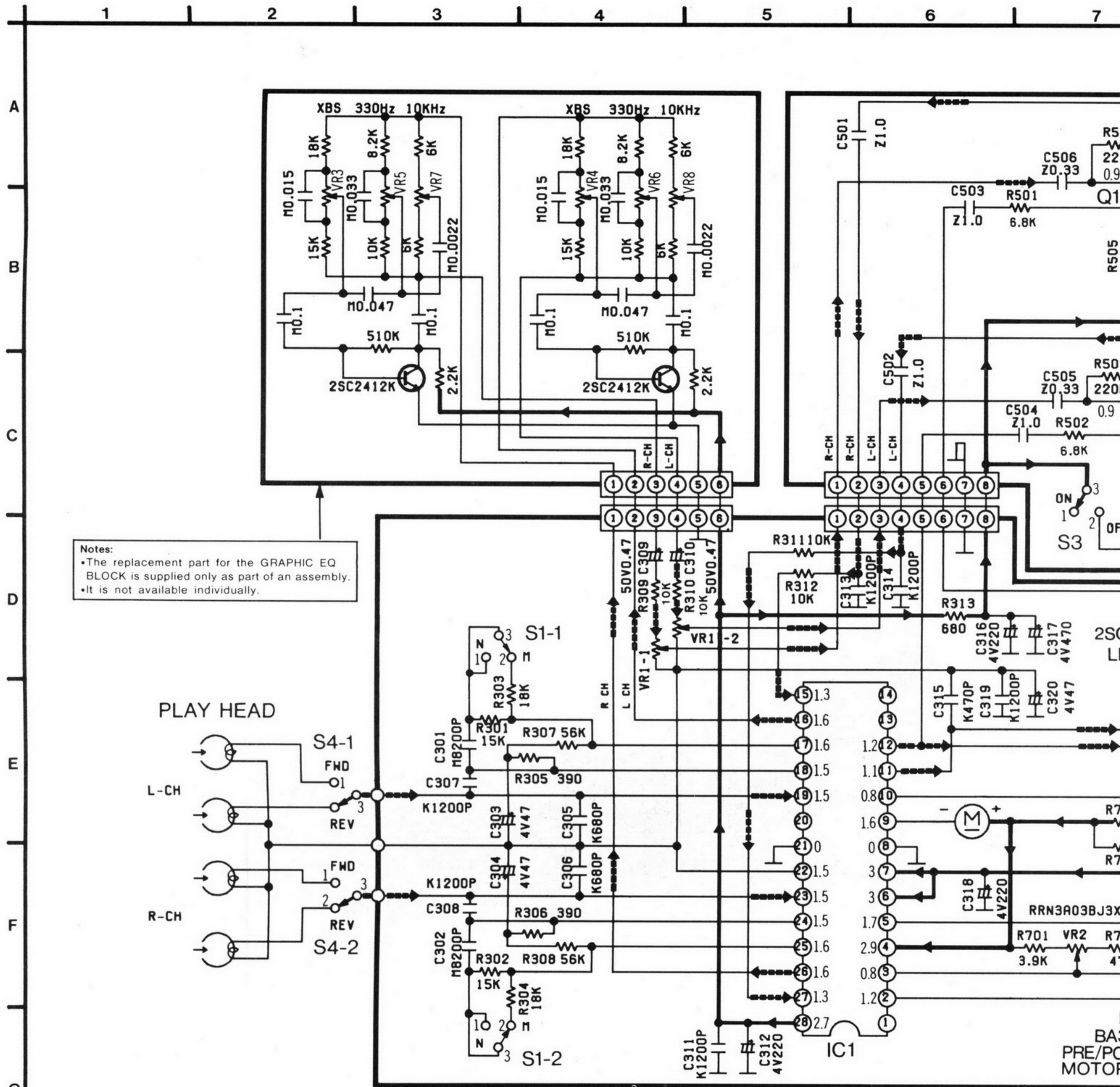
Power Requirement:	Battery; 3V (two R6/LR6, UM-3 batteries) AC; 220V, 50Hz (For UK: 240V, 50Hz) with optional AC adaptor RP-AC33
Power Output:	40mW (20mW × 2)···RMS (max.)
Input:	DC IN; 3V (⊖ ⊕)
Output:	Headphones; 20 Ω φ3.5
Frequency Response:	50~14000Hz (Nor/CrO ₂ /Metal)
Motor:	Electrical governor motor
Track System:	4-track 2-channel stereo playback
Tape Speed:	4.8cm/s
Dimensions:	114.2(W) × 84.4(H) × 33.1(D)mm
Weight:	156g without batteries

Notes:

1. Weights and dimensions shown are approximate.
2. Design and specifications are subject to change without notice.

Panasonic

SCHEMATIC DIAGRAM

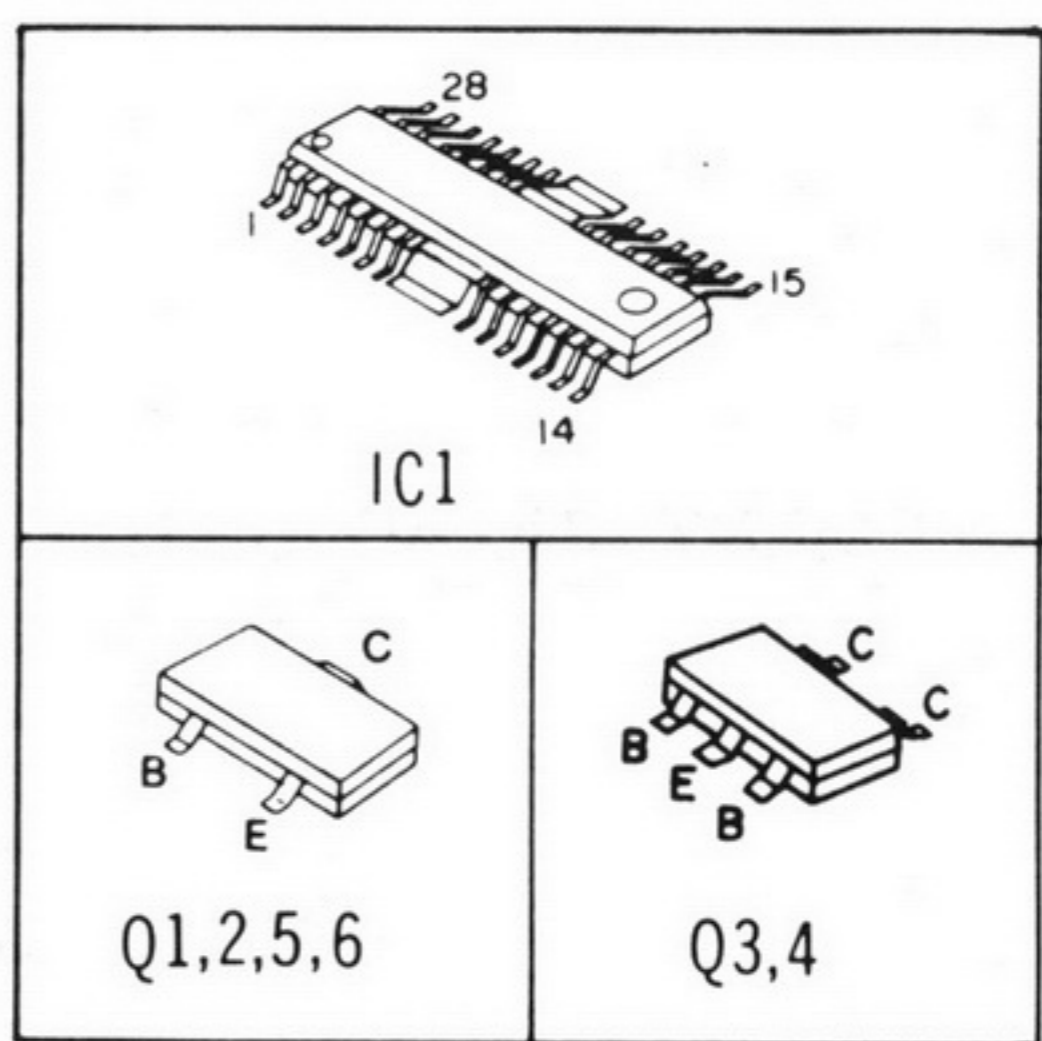
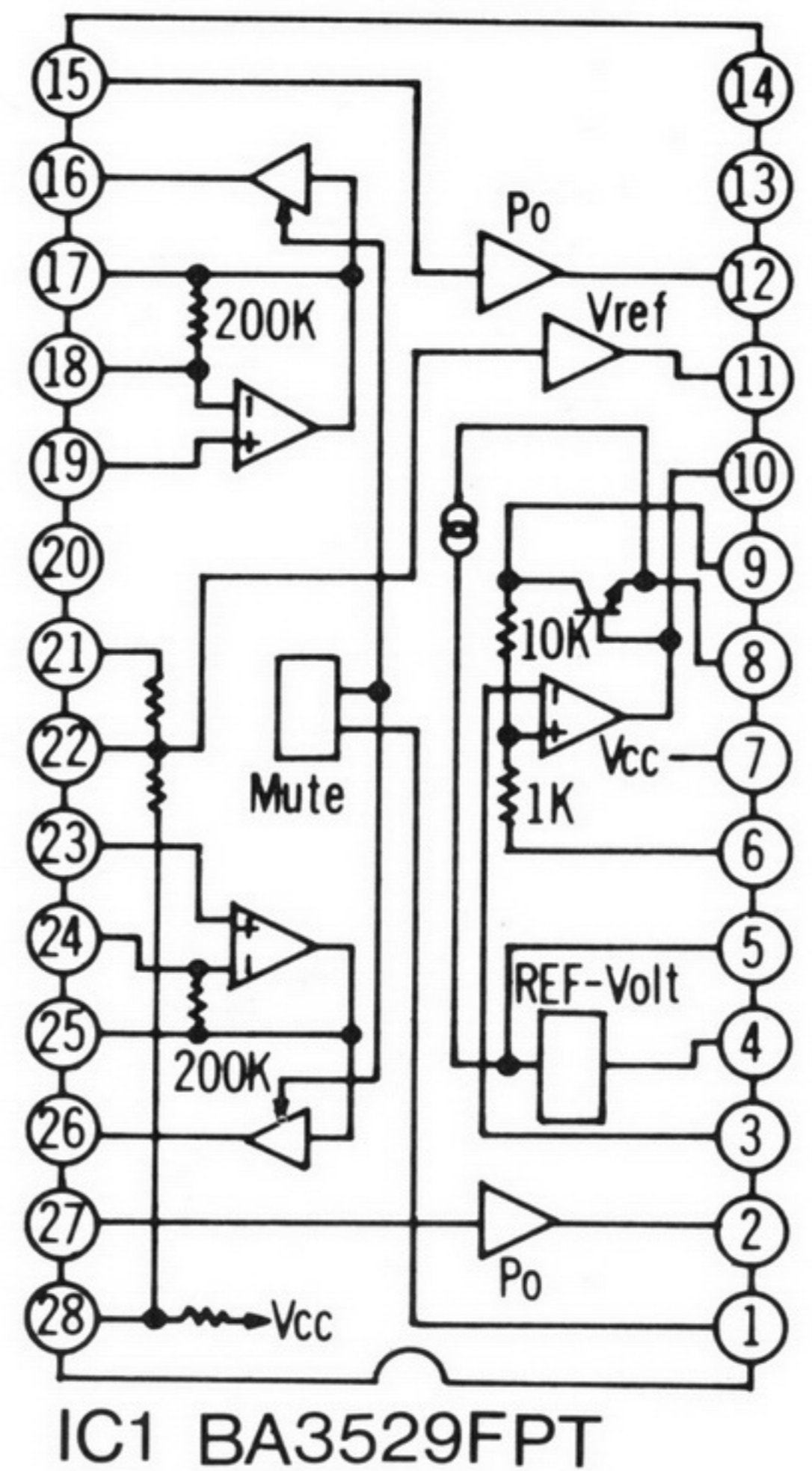
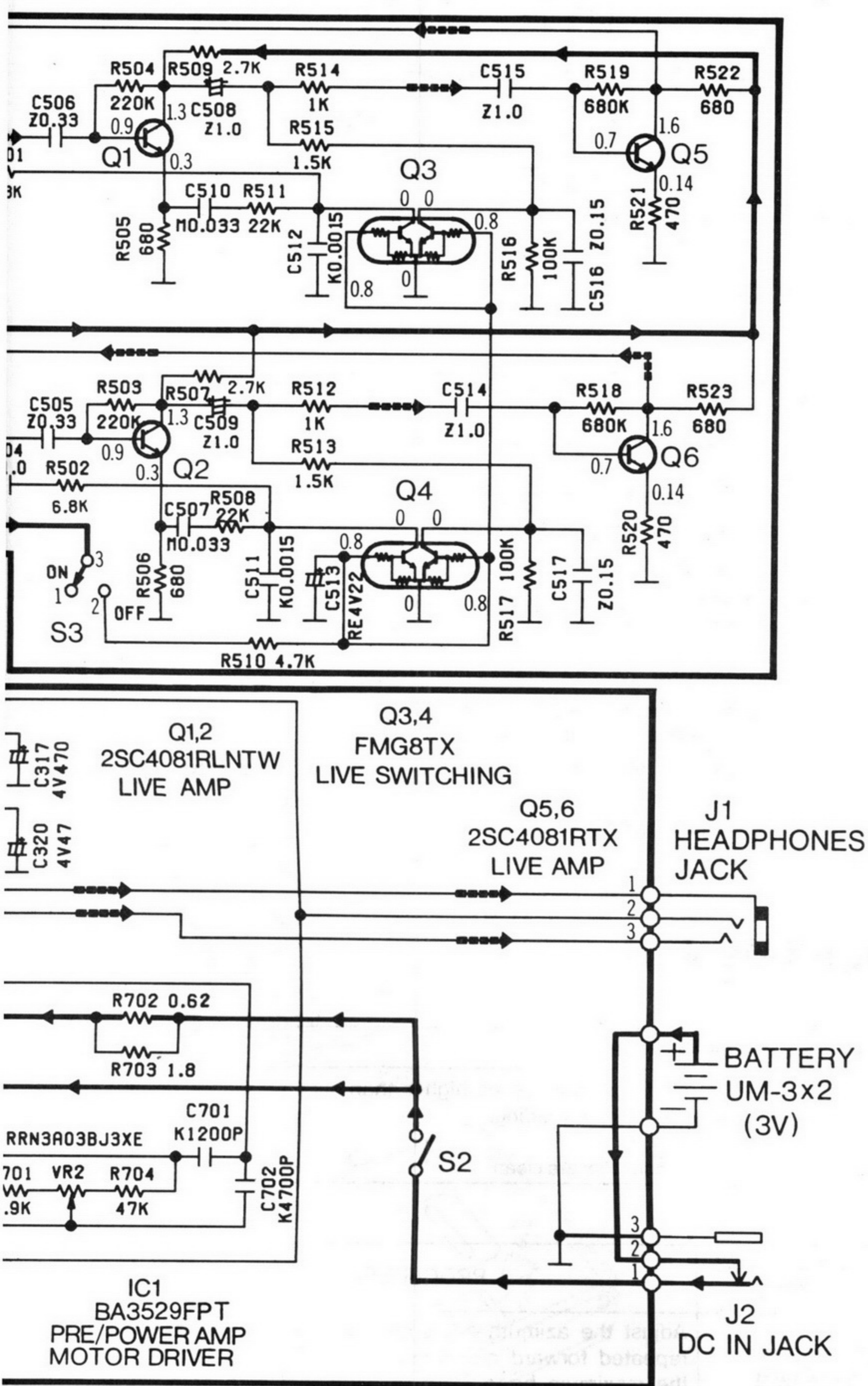
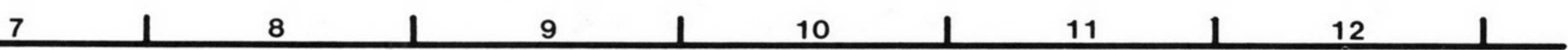


Notes:
 •The replacement part for the GRAPHIC EQ BLOCK is supplied only as part of an assembly.
 •It is not available individually.

- Notes:**
- S1-1, 1-2: Tape Selector Switch in "CrO₂/METAL" Position. (1...Normal, 2...CrO₂/Metal)
 - S2: Motor Switch in "OFF" Position.
 - S3: Live Switch in "ON" Position. (1...ON, 2...OFF)
 - S4-1, 4-2: FWD/REV Selector Switch in "REV" Position. (1...FWD, 2...REV)
 - VR1-1: Volume Control VR. (Lch)
 - VR1-2: Volume Control VR. (Rch)
 - VR2: Tape Speed adjustment VR.

- VR3~8: Graphic Equalizer VR.
 (VR3, 4: XBS)
 (VR5, 6: 330Hz)
 (VR7, 8: 10kHz)
- All voltage value shown in circuitry are under condition and playback mode with volume maximum position.
- ———▶ +B Voltage Line.
- - - - -▶ Playback Signal.

RQ-P205



● Battery current: Volume minimum output.....140mA
 Volume Maximum output.....240mA
 (315Hz 0dB tape QZZCFM playback)

ity are under no signal
 with volume control at