

Service Manual

Mini Cassette

RQ-P255

Stereo Cassette Player

Colour

(K).....Black Type

Area

| Suffix for Model No. | Area | Colour |
|----------------------|---------|--------|
| [E] | Europe. | (K) |



■ SPECIFICATIONS

General:

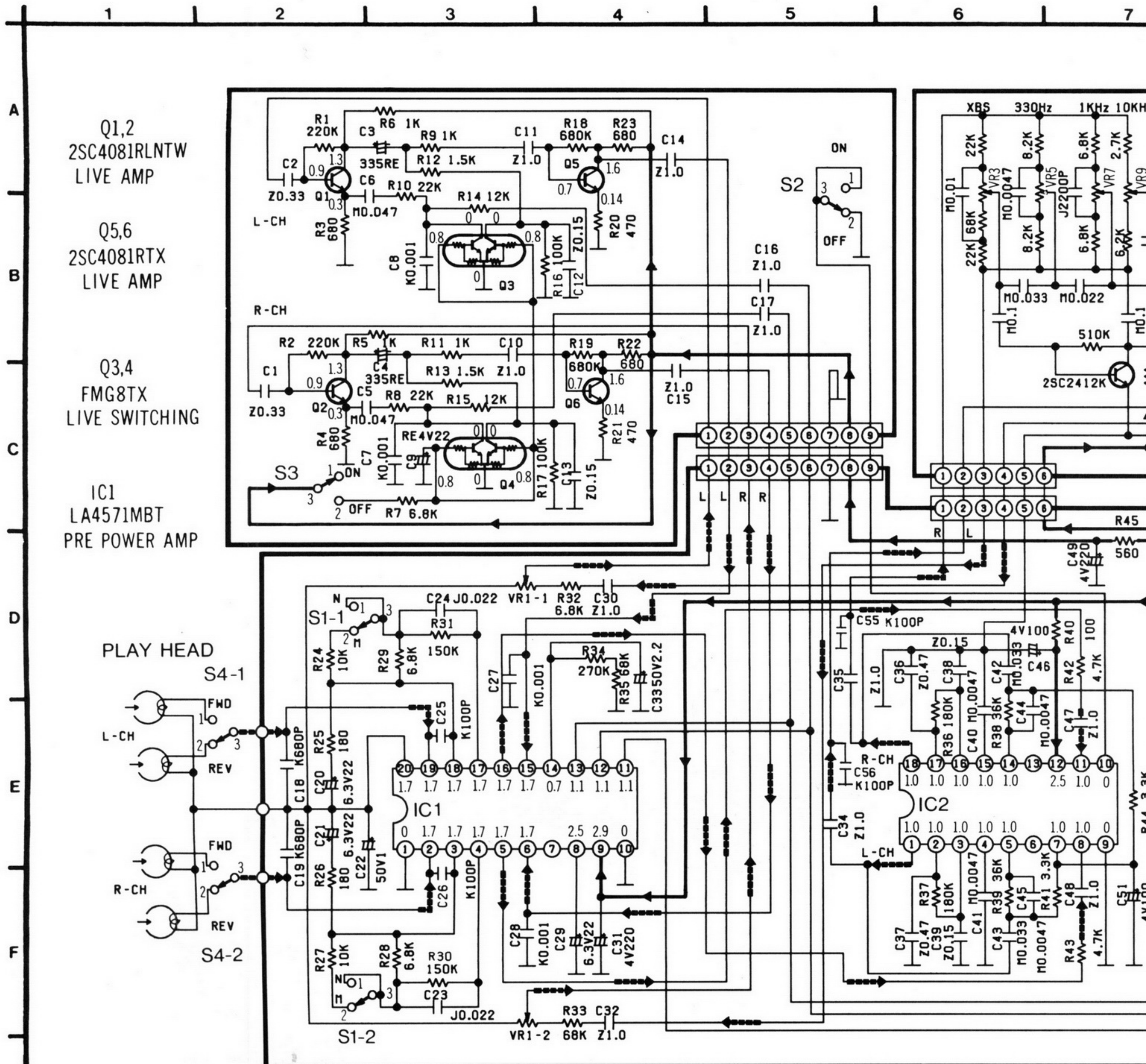
| | |
|---------------------|---|
| Power Requirement: | Battery; 3V (two R6/LR6, UM-3 batteries) AC; 220V, 50Hz (For UK: 240V, 50Hz) with optional AC adaptor RP-AC33 |
| Power Output: | 40mW (20mW × 2)···RMS (max.) |
| Input: | DC IN; 3V (⊖ ⊕) |
| Output: | Headphones; 16 Ω φ3.5 |
| Frequency Response: | 50~14000Hz (Nor/CrO ₂ /Metal) |
| Motor: | Electrical governor motor |
| Track System: | 4-track 2-channel stereo playback |
| Tape Speed: | 4.8cm/s |
| Dimensions: | 114.2(W) × 84.4(H) × 33.1(D)mm |
| Weight: | 173g without batteries |

Notes:

1. Weights and dimensions shown are approximate.
2. Design and specifications are subject to change without notice.

Panasonic

SCHEMATIC DIAGRAM



Notes:

- S1-1, 1-2: Tape Selector Switch in "CrO₂/METAL" Position. (1...Normal, 2...CrO₂/Metal)
- S2: Dolby NR Switch in "OFF" Position. (1...ON, 2...OFF)
- S3: Live Switch in "ON" Position. (1...ON, 2...OFF)
- S4-1, 4-2: FWD/REV Selector Switch in "FWD" Position. (1...FWD, 2...REV)
- S5: Motor Switch in "OFF" Position.
- VR1-1: Volume Control VR. (Lch)
- VR1-2: Volume Control VR. (Rch)
- VR2: Tape Speed adjustment VR.

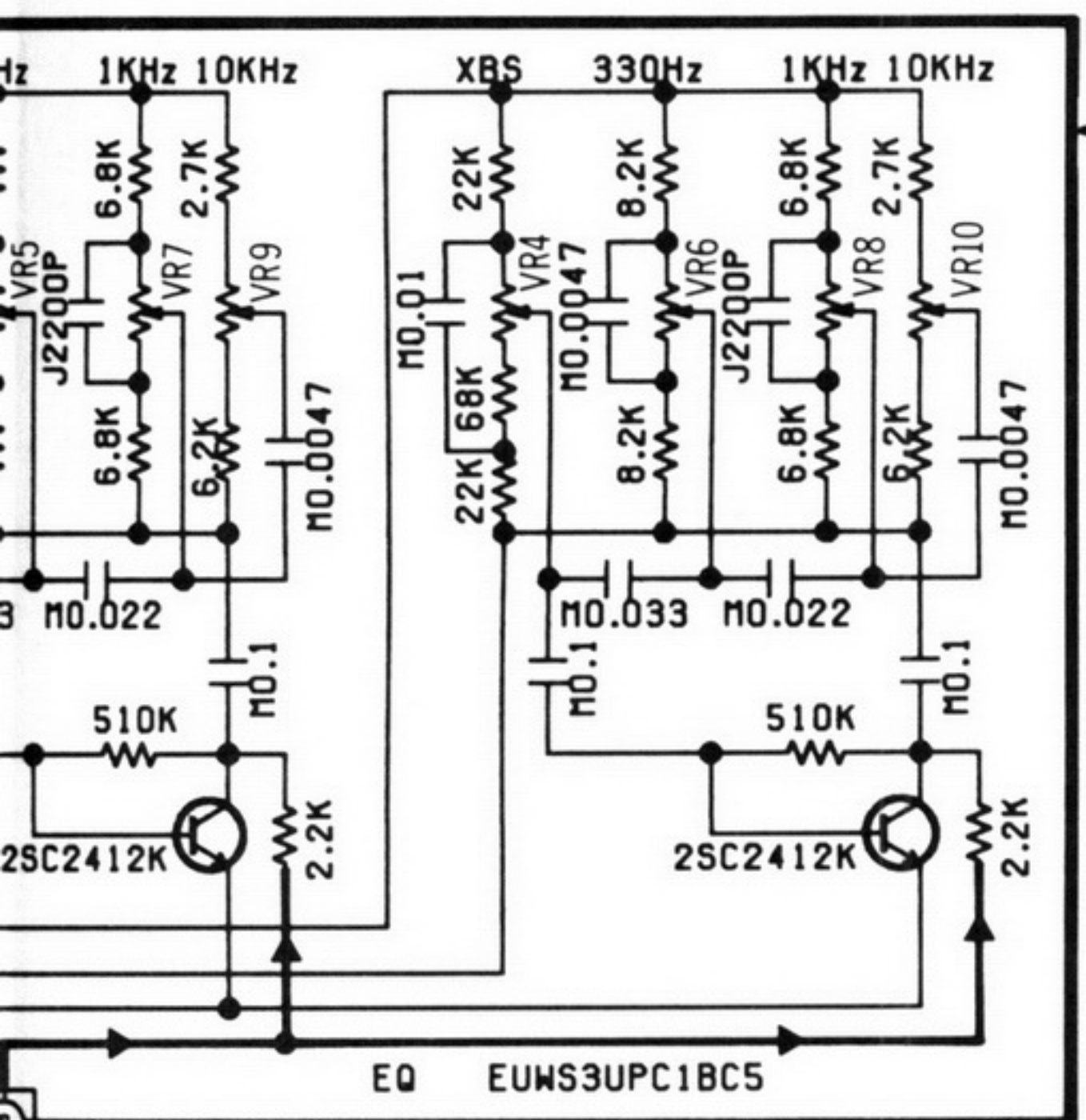
- VR3~10: Graphic Equalizer VR. VR3, 4: XBS VR5, 6: 330Hz VR7, 8: 1kHz VR9, 10: 10kHz

● All voltage values shown in circuitry are under no signal condition and playback mode with volume control at maximum position.

● +B Voltage Line.

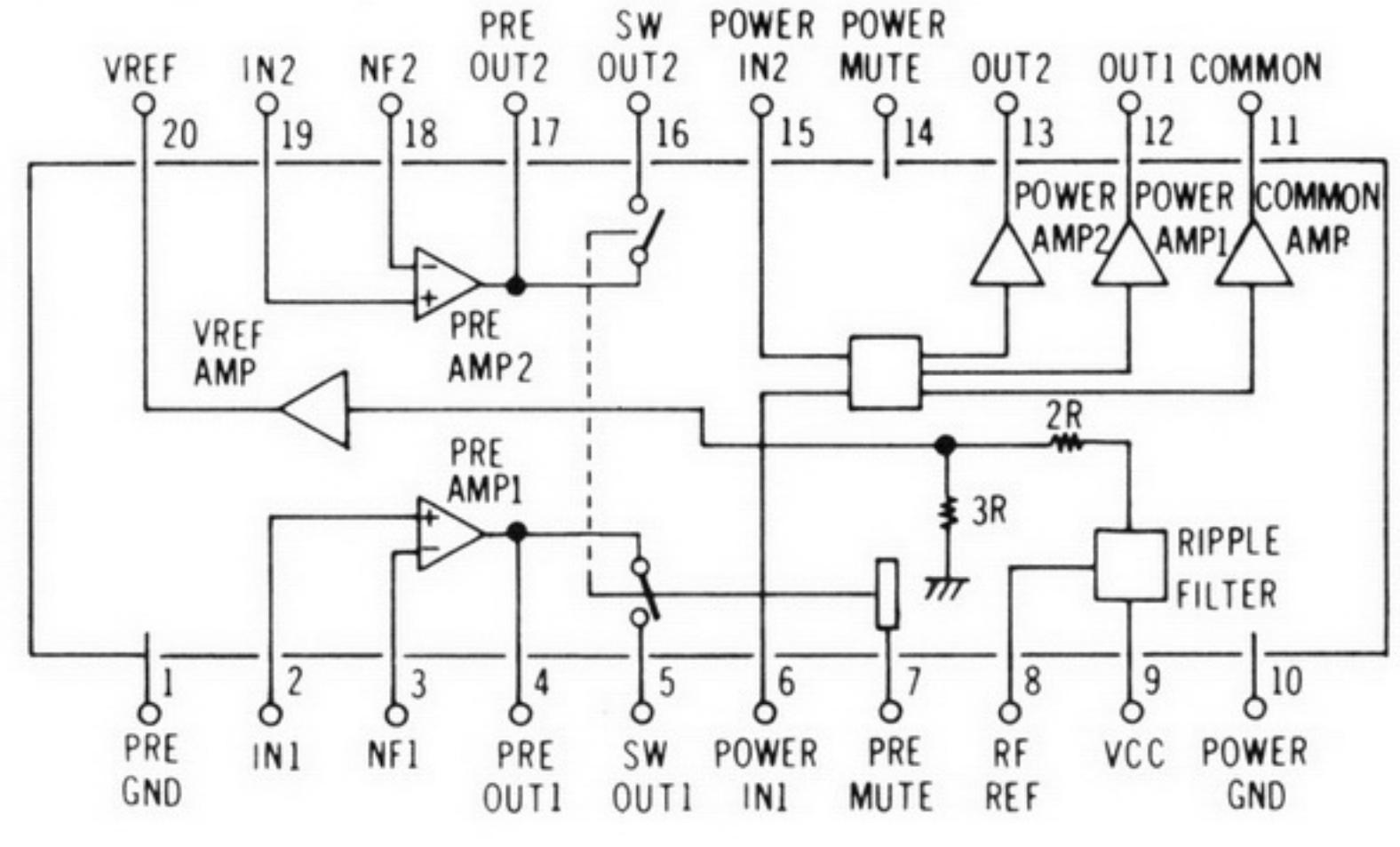
● Playback Signal.

● Battery current: Volume minimum output.....140mA
Volume Maximum output.....240mA
(315Hz 0dB tape QZZCFM playback)

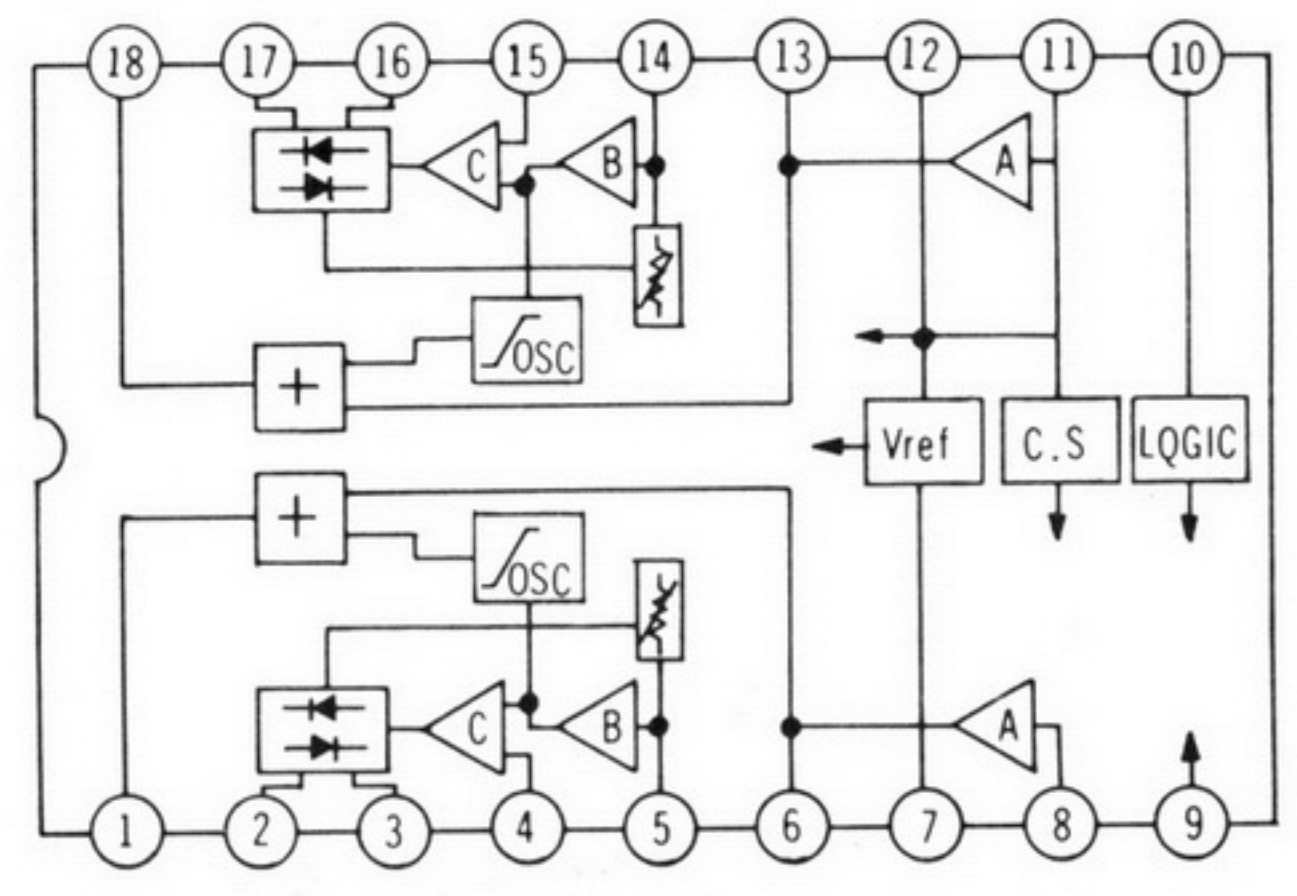


Notes:
 •The replacement part for the GRAPHIC EQ BLOCK is supplied only as part of an assembly.
 •It is not available individually.

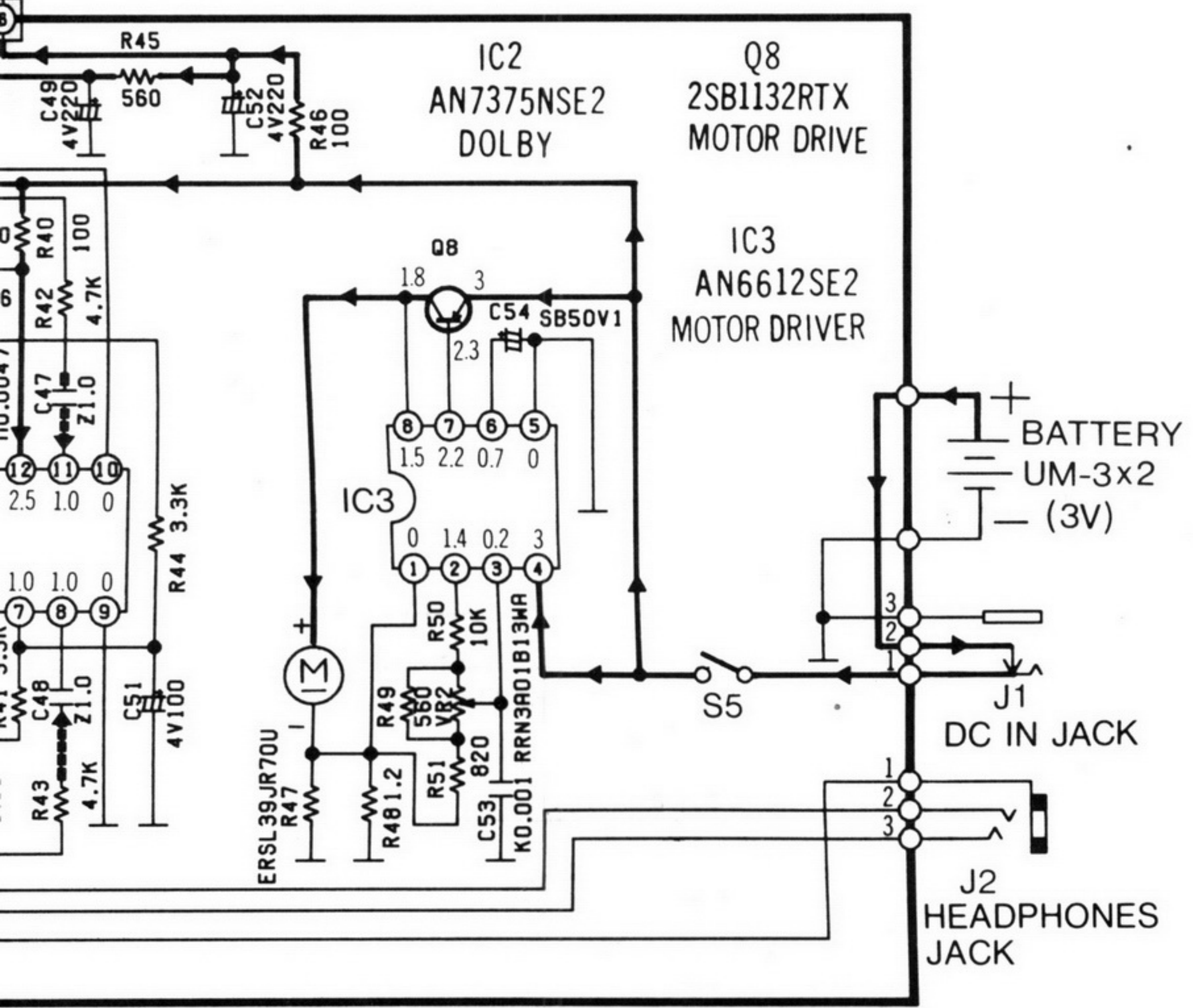
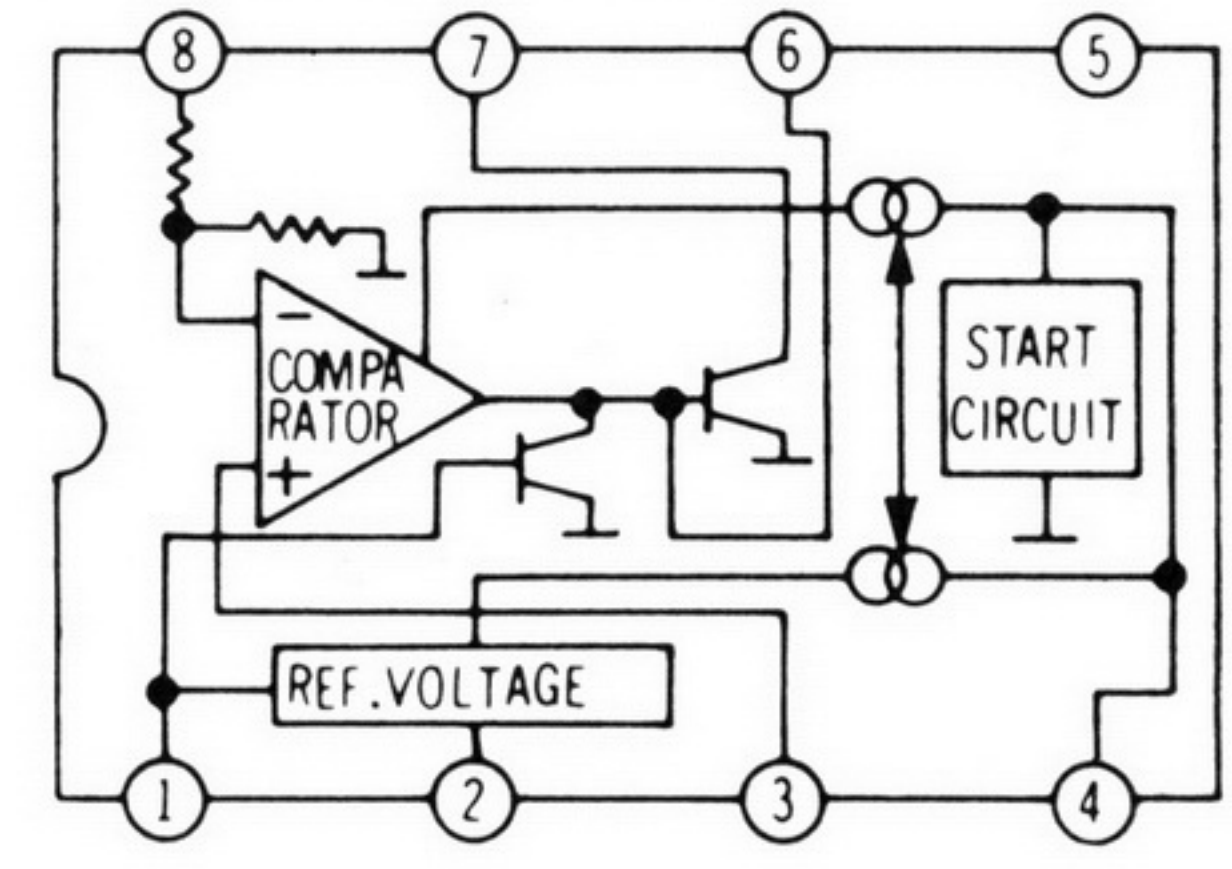
IC1 LA4571MBT



IC2 AN7375NSE2



IC3 AN6612SE2



| | | | | | |
|---------|---------|---------|--------------|----------|--------|
| IC1 | IC2 | IC3 | Q1,2,5,6 | Q3,4 | Q8 |
|---------|---------|---------|--------------|----------|--------|

no signal control at

10mA
 10mA
 (yback)