

Service Manual

Stereo Cassette Player

Mini Cassette

RQ-P40

Colour

(K)..... Black Type

Area

Suffix for Model No.	Areas	Colour
[E]	Europe	(K)



■ SPECIFICATIONS

General:

Power Requirement: Battery; 3V (Two "AA" size, R6/LR6 batteries)
AC; with optional Panasonic
AC adaptor RP-AC31

Power Output: 40mW (20mWx2)···RMS (max.)

Input: DC IN; 3V (⊖ ⊕)

Output: Headphones; 24Ω, ϕ3.5

Dimensions: 86.7(W)×113.2(H)×31.1(D)mm

Weight: 129g without batteries

Tape Deck Section:

Frequency Response: 50~16,000Hz (Normal, CrO₂/Metal)

Tape Speed: 4.8cm/s

Program Time: 1 hour with C-60 cassette tape

Track System: 4-track, 2-channel, stereo playback

1. Weights and dimensions shown are approximate.
2. Design and specifications are subject to change without notice.

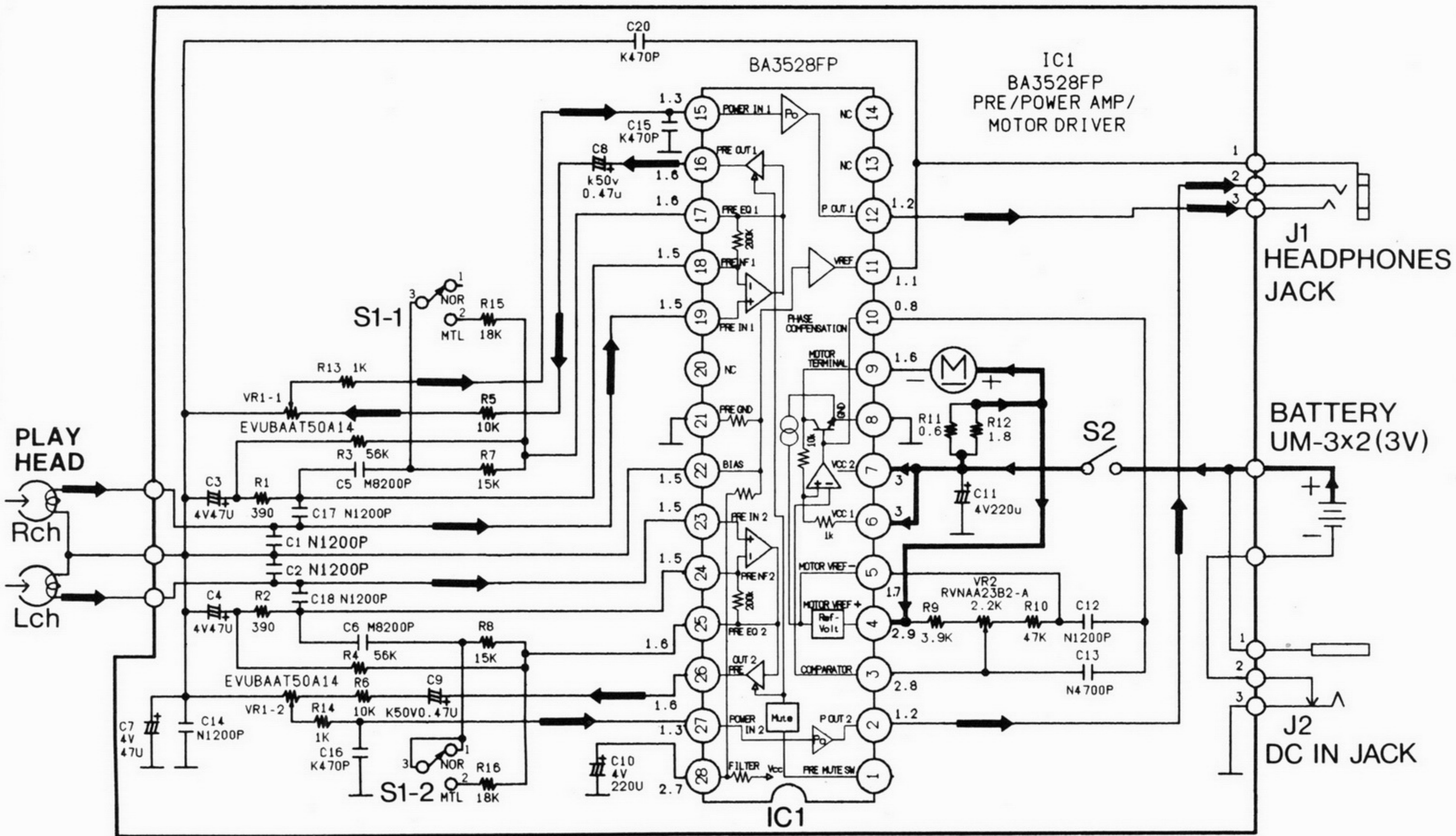
⚠ WARNING

This service information is designed for experienced repair technicians only and is not designed for use by the general public. It does not contain warnings or cautions to advise non-technical individuals of potential dangers in attempting to service a product. Products powered by electricity should be serviced or repaired only by experienced professional technicians. Any attempt to service or repair the product or products dealt with in this service information by anyone else could result in serious injury or death.

Panasonic®

© 1995 Matsushita Electric Industrial Co., Ltd.
All rights reserved. Unauthorized copying and distribution is a violation of law.

■ SCHEMATIC DIAGRAM



Notes:

1. S1-1~S1-2: Tape selector switch in "NORMAL" position.
(1...Normal, 2...CrO₂/Metal)
2. S2: Motor switch in "OFF" position.
3. VR1-1, 1-2: Volume control VR.
4. VR2: Tape speed adjustment VR.
5. All voltage values shown in circuitry are under no signal condition and playback mode with volume control at maximum position.
6. +B Voltage Line.
 Playback Signal.
7. Battery current: Volume Minimum output..... 120mA
Volume Maximum output.....150mA
(315Hz 0dB tape playback, QZZCFM)

■ REPLACEMENT PARTS LIST

☐ Indicates parts that are supplied by TAMACO

Ref. No.	Parts No.	Parts Name & Description
INTEGRATED CIRCUITS, TRANSISTORS		
IC1 ☐	BA3528FP	I.C. PRE/Power AMP
VARIABLE RESISTORS		
VR1	EVUBAAT50A14	V.R. Volume Control
VR2 ☐	RVNAA23B2-A	V.R. Tape Speed
SWITCHES		
S1 ☐	RSS2B54YA-K	SW, Selector
S2 ☐	RFA114ZA	SW, Motor
JACKS		
J1	RJJD3S5ZB-C	Headphones Jack
J2	RJJ43H01-C	DC IN Jack

