

Service Manual

Mini Cassette

Stereo Cassette Player

RQ-P50

Color

(K)Black Type
(W)White Type

Area

Country Code	Area	Color
[E]	Continental Europe.	(K) (W)



■ SPECIFICATIONS

General:

Power Requirement: Battery; 3V (two UM-3 R6/LR6 batteries)
AC; 220V, 50Hz (For UK, 240V, 50Hz)
with optional AC adaptor RP-AC33

Power Output: 40mW (20mW × 2)···RMS (max.)

Input: DC IN; 3V (mini jack) ϕ 2.5

Output: Headphones; 32 Ω ϕ 3.5

Frequency Response: 50 ~ 14000Hz (Normal, Metal/CrO₂)

Motor: Electrical governor motor

Track System: 4-track 2-channel stereo playback

Tape Speed: 4.8cm/s

Dimensions: 84.5(W) × 115(H) × 36(D)mm

Weight: 170g without batteries

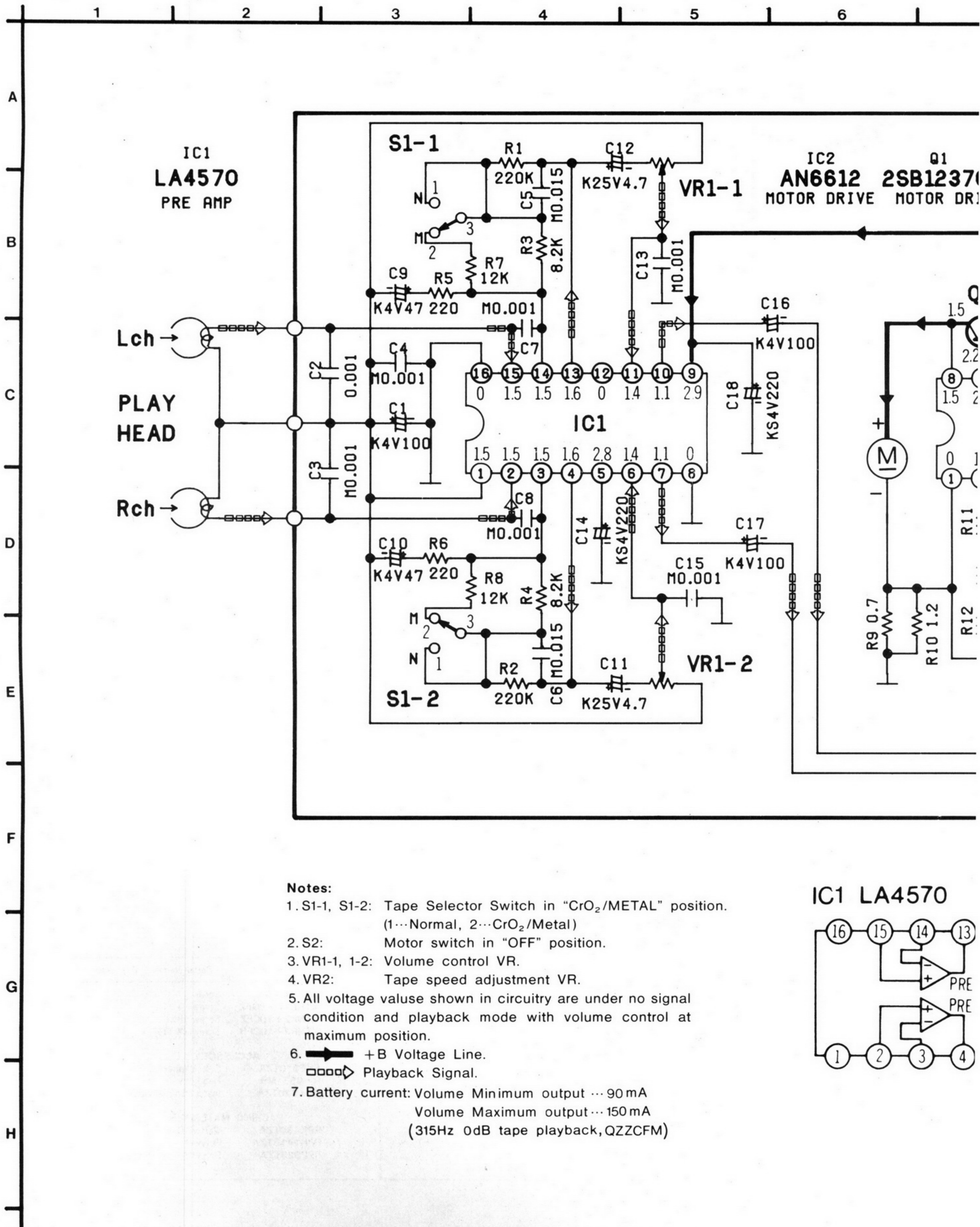
Design and specifications are subject to change without notice.

Panasonic

Matsushita Electric Industrial Co., Ltd.

Central P.O. Box 288, Osaka 530-91, Japan

SCHEMATIC DIAGRAM



Notes:

1. S1-1, S1-2: Tape Selector Switch in "CrO₂/METAL" position.
(1...Normal, 2...CrO₂/Metal)
2. S2: Motor switch in "OFF" position.
3. VR1-1, 1-2: Volume control VR.
4. VR2: Tape speed adjustment VR.
5. All voltage values shown in circuitry are under no signal condition and playback mode with volume control at maximum position.
6. +B Voltage Line.
 Playback Signal.
7. Battery current: Volume Minimum output ... 90 mA
Volume Maximum output ... 150 mA
(315Hz 0dB tape playback, QZCFM)

IC1 LA4570

