

Service Manual

Mini Cassette

Stereo Cassette Player

RQ-P55

Color

(K)..... Black Type

Area

Country Code	Area	Color
[E]	Continental Europe.	(K)



■ SPECIFICATIONS

General:

Power Requirement:	Battery; 3V (two UM-3 R6/LR6 batteries) AC; 220V, 50Hz (For UK, 240V, 50Hz) with optional AC adaptor RP-AC33
Power Output:	50 mW (25mW × 2)···RMS (max.)
Input:	DC IN; 3V (mini jack) ϕ 2.5
Output:	Headphones; 32 Ω ϕ 3.5
Frequency Response:	50 ~ 14000Hz (Normal, Metal/CrO ₂)
Motor:	Electrical governor motor
Track System:	4-track 2-channel stereo playback
Tape Speed:	4.8cm/s
Dimensions:	84.5(W) × 115(H) × 37.5(D)mm
Weight:	180g without batteries

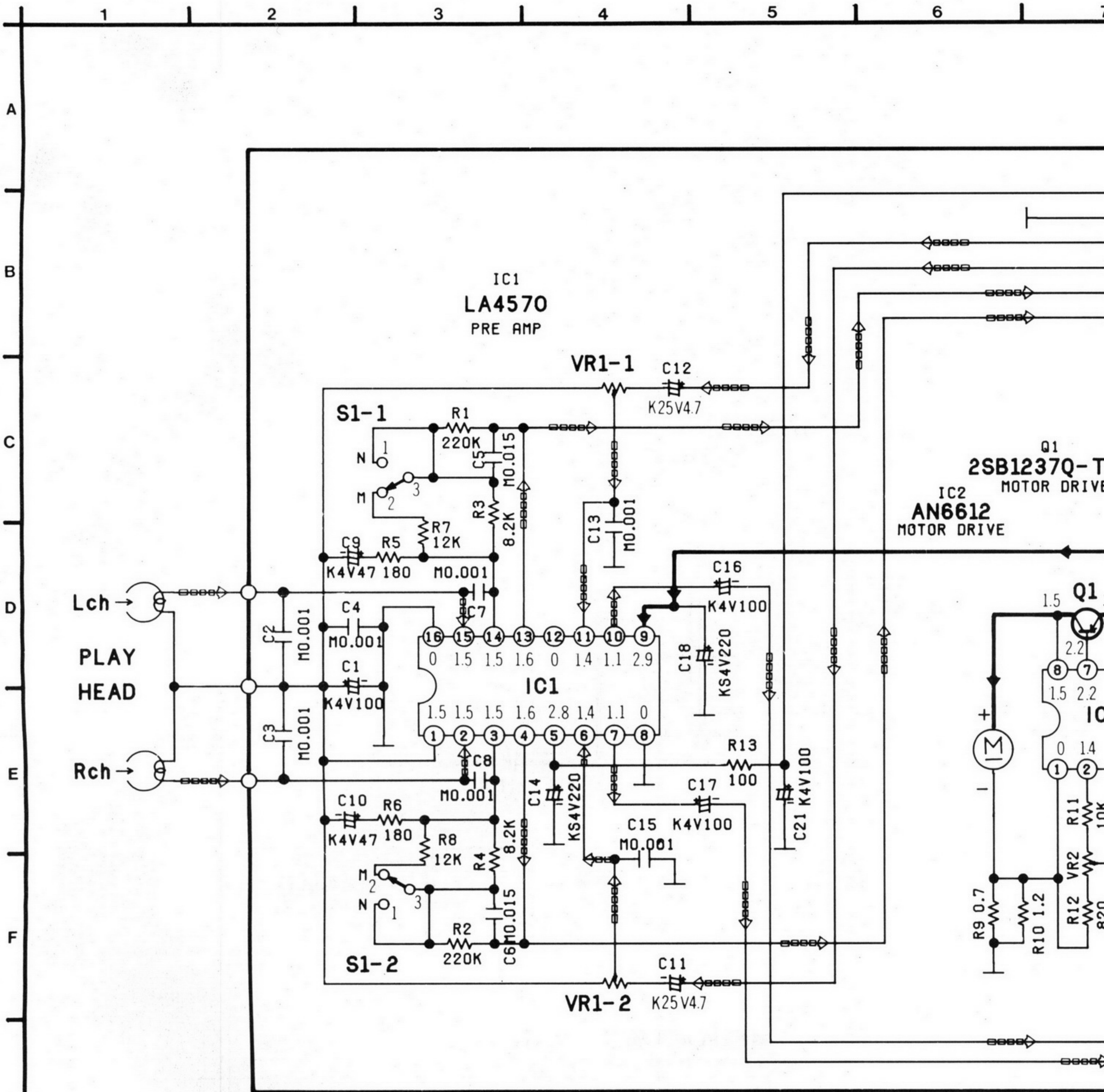
Design and specifications are subject to change without notice.

Panasonic

Matsushita Electric Industrial Co., Ltd.

Central P.O. Box 288, Osaka 530-91, Japan

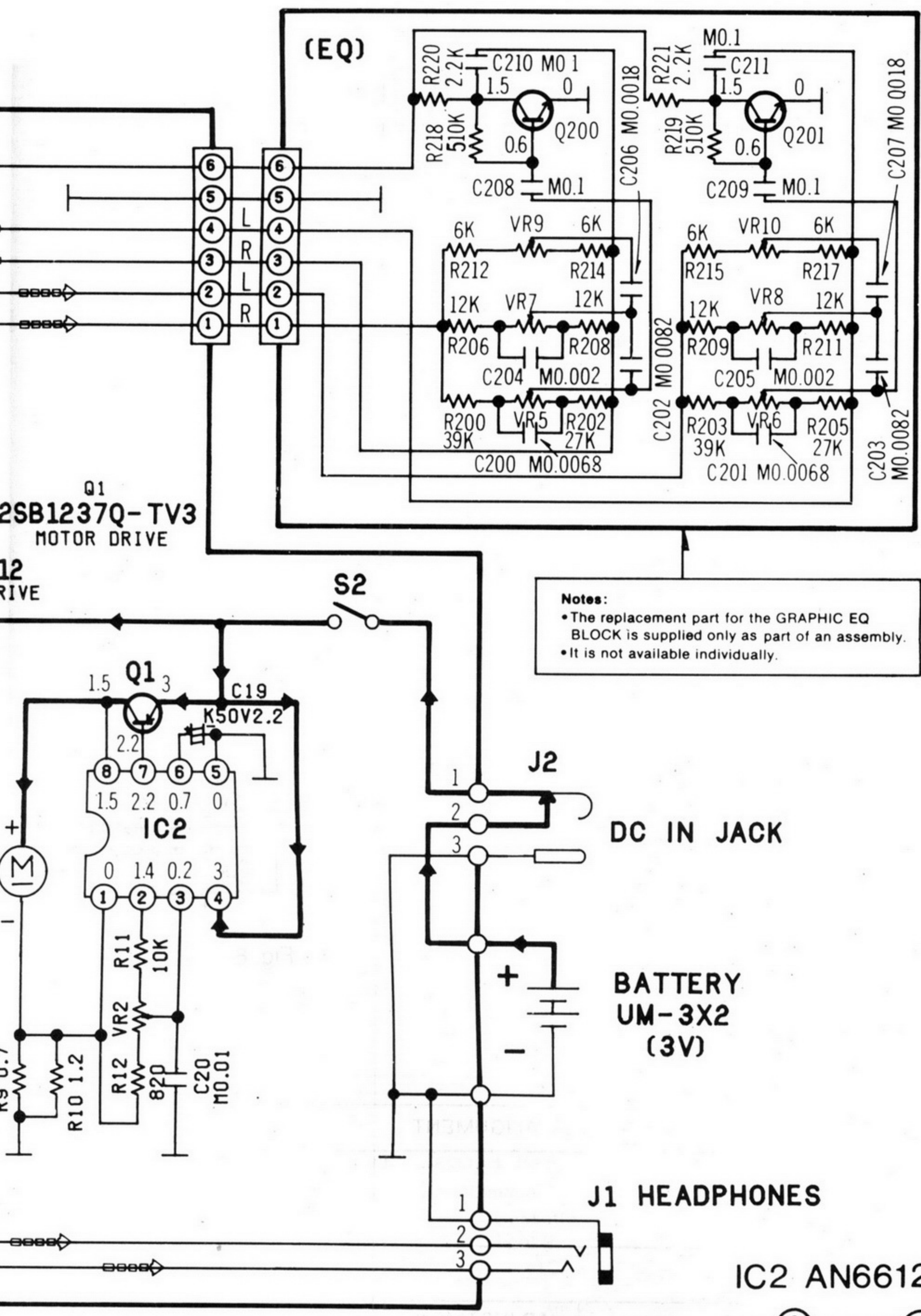
SCHEMATIC DIAGRAM



Notes:

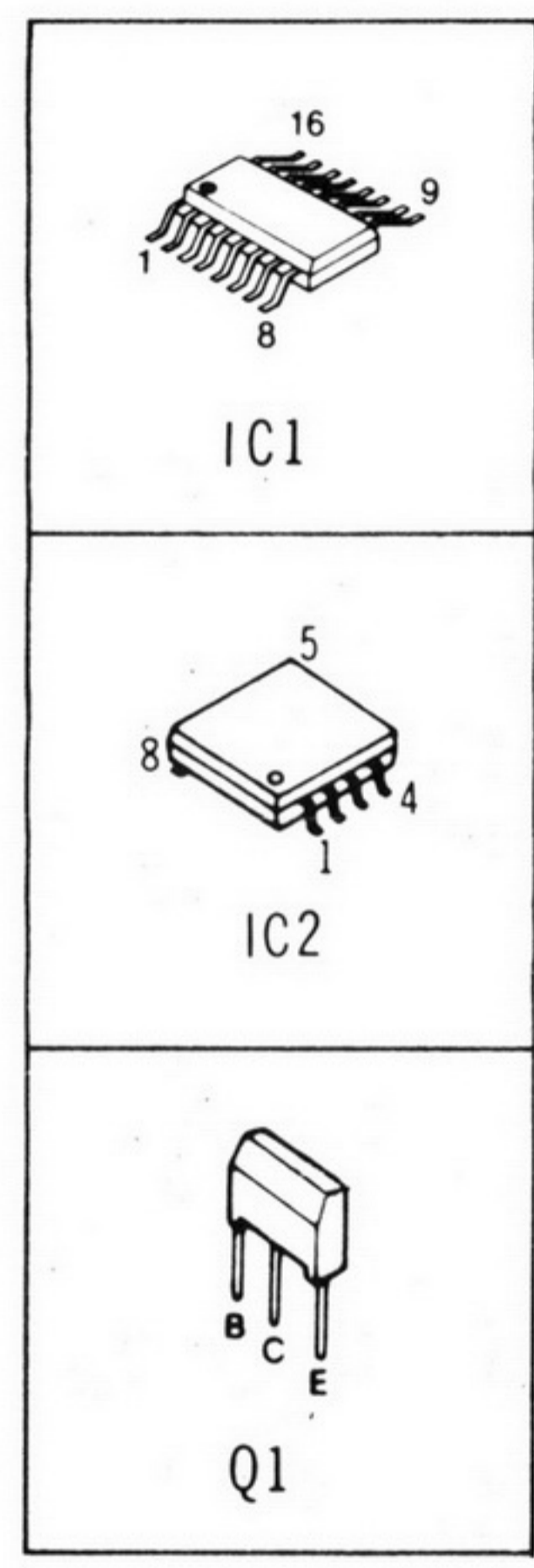
- 1. S1-1, S1-2: Tape Selector Switch in "CrO₂/METAL" position. (1...Normal; 2...CrO₂/Metal)
- 2. S2: Motor switch in "OFF" position.
- 3. VR1-1, 1-2: Volume control VR.
- 4. VR2: Tape speed adjustment VR.
- 5. VR5~10: Graphic equalizer VR (100Hz/1kHz/10kHz)
 VR5,6 : 100Hz
 VR7,8 : 1kHz
 VR9,10: 10kHz
- 6. All voltage valuse shown in circuitry are under no signal condition and playback mode with volume control at maximum position.
- 7. +B Voltage Line.
 Playback Signal.
- 8. Battery current: Volume Minimum output ... 90 mA
 Volume Maximum output ... 150 mA
 (315Hz 0dB tape playback, QZZCFM)

RQ-P55



Notes:

- The replacement part for the GRAPHIC EQ BLOCK is supplied only as part of an assembly.
- It is not available individually.



er no signal
control at

30 mA
50 mA
(ZCCFM)

