

Service Manual

Stereo Cassette Player

Mini Cassette
RQ-S11



Color

(K)... Black Type

Area

| Country Code | Area | Color |
|--------------|---------------------|-------|
| (E) | Continental Europe. | (K) |
| (EB) | Great Britain. | |

MECHANISM SERIES (AR90)

■ SPECIFICATIONS

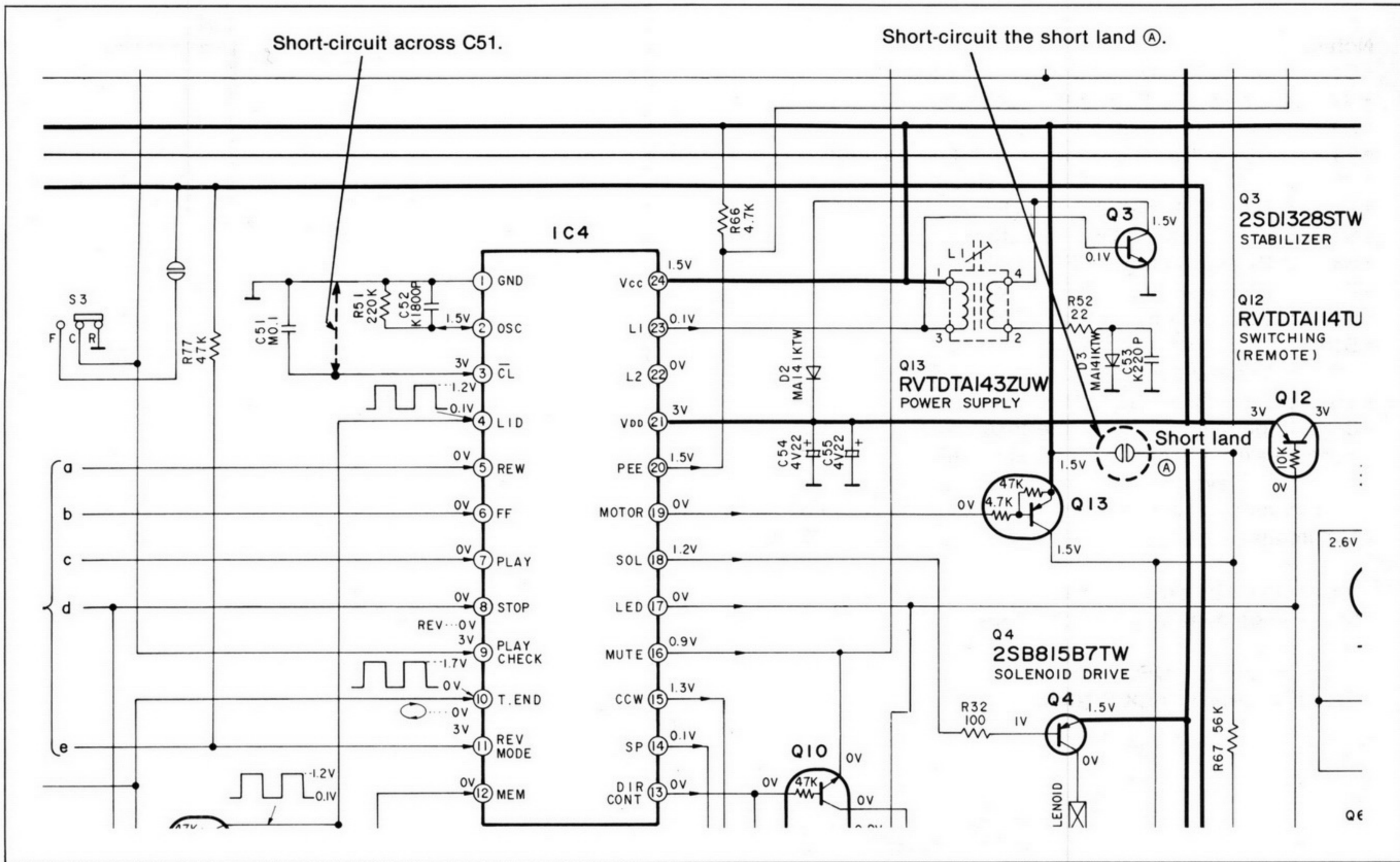
| | |
|---------------------|---|
| Power Requirement: | AC; with an optional AC adaptor (E)...RP-AC11E, (EB)...RP-AC11EB Battery; with one "AA" size battery (DC: 1.5V) Rechargeable Battery; with an included Rechargeable Battery; 1.2V |
| Power Output: | 6mW+6mW |
| Input: | DC IN; 1.5V (mini jack, \diamond - \ominus - \diamond) |
| Output: | Headphones; 16 Ω (ϕ 3.5) |
| Dimensions: | 106.6 (W) \times 72.6 (H) \times 19.5 (D)mm |
| Weight: | 145g (with Rechargeable Battery) |
| Frequency Response: | 15~20,000Hz (with a normal tape) 15~20,000Hz (with a CrO ₂ type tape) 15~20,000Hz (with a Metal tape) |
| Tape Speed: | 4.8cm/s |
| Track System: | 4-track 2-channel stereo playback |
| Charger: | Input; (E)...AC 220V, 50Hz 4W RP-BC155EY-0 Input: (EB)...AC 240V, 50Hz 4W RP-BC155EBYA |

Design and specifications are subject to change without notice.

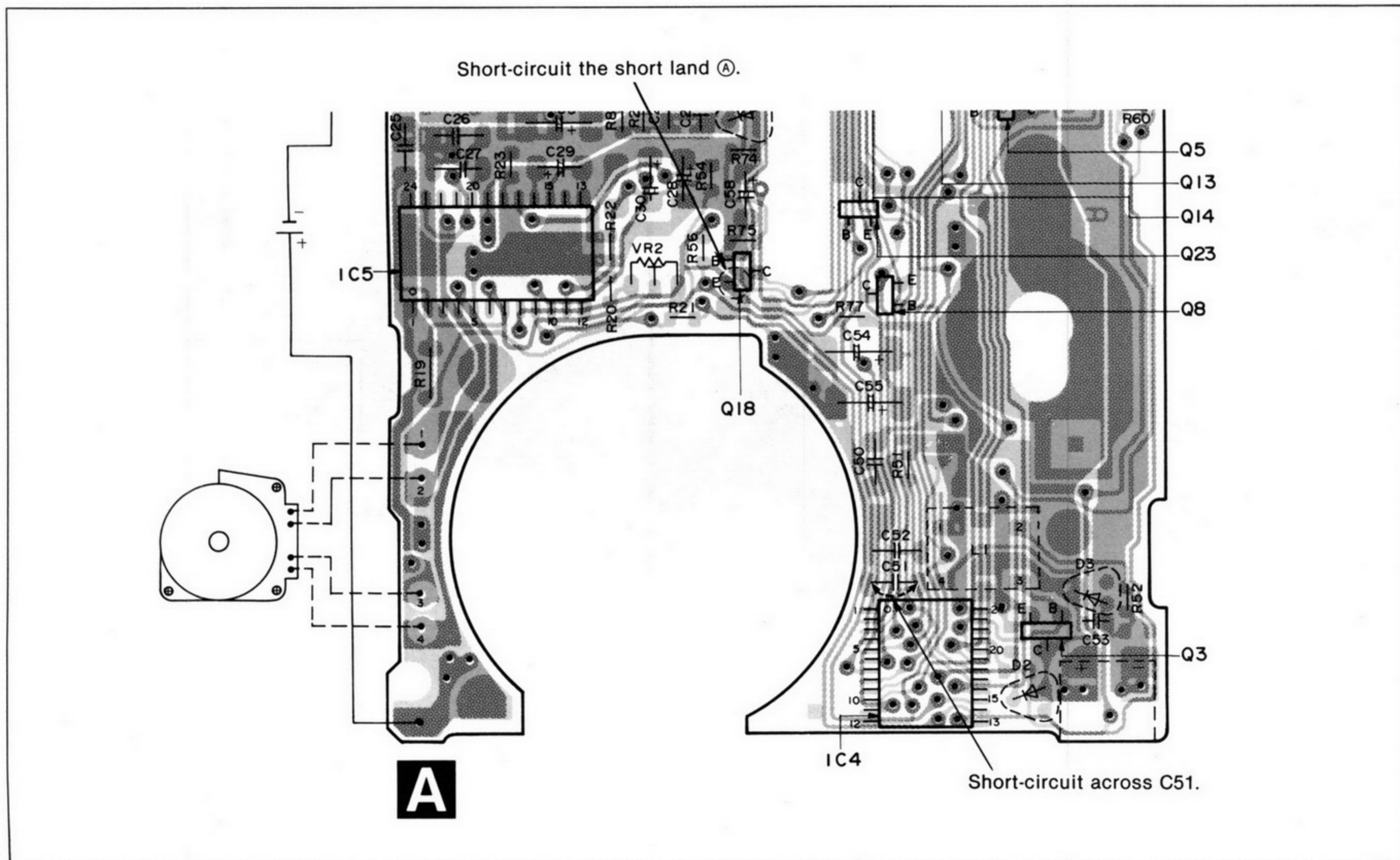
Panasonic

Matsushita Electric Industrial Co., Ltd.
Central P.O. Box 288, Osaka 530-91, Japan

• Short circuit points
SCHEMATIC DIAGRAM



PRINTED CIRCUIT BOARD



SCHEMATIC DIAGRAM

(Parts list on pages 15, 18.)

Notes:

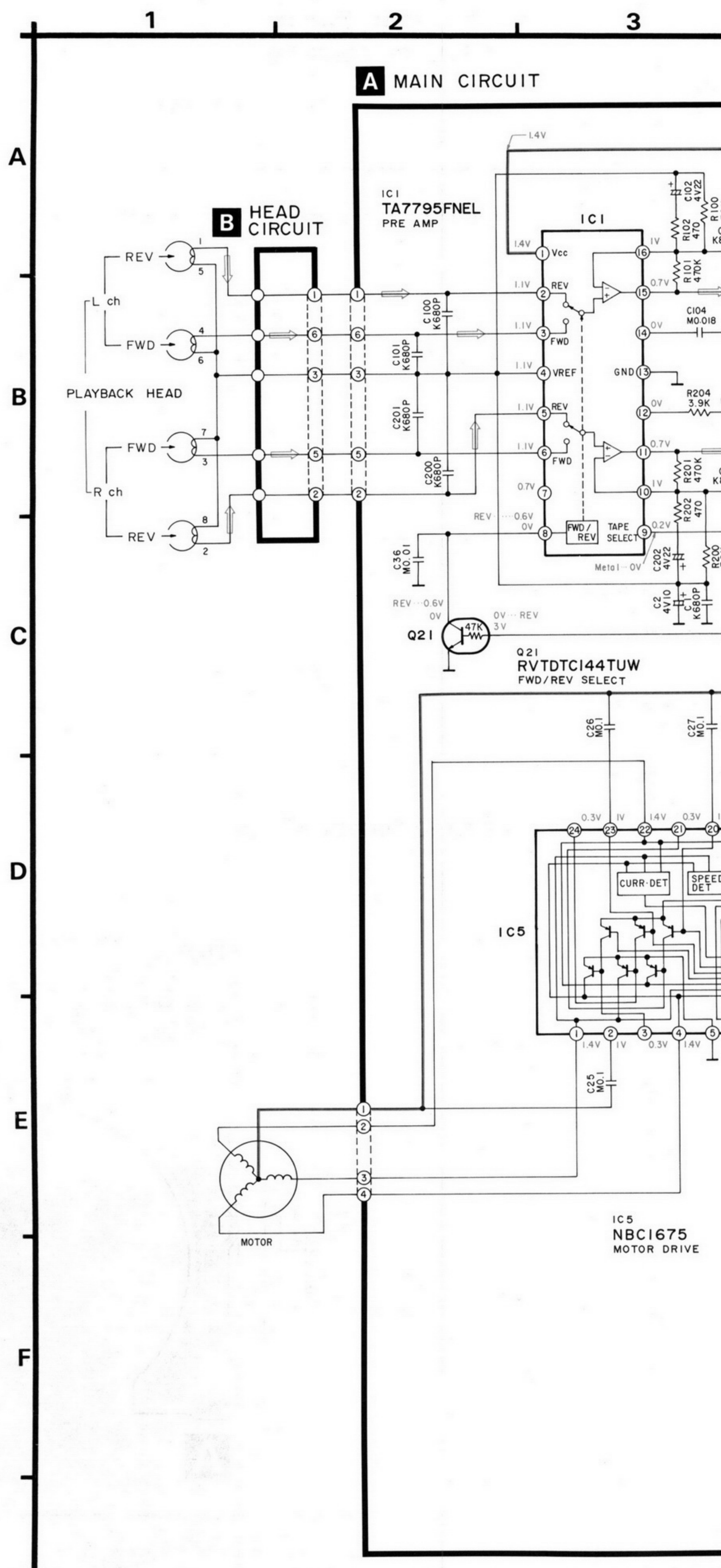
- S1 : Dolby NR switch in "ON" position.
- S2 : S-XBS switch in "OFF" position.
- S3 : FWD/REV switch in "REV" position.
- S4 : REVERSE MODE switch in "↺" position.
- S5 : STOP switch in "OFF" position.
- S6 : PLAY/DIR switch in "OFF" position.
- S7 : FF switch in "OFF" position.
- S8 : REW switch in "OFF" position.
- S9 : HOLD switch in "OFF" position.
- S10-1 : Leaf switch (open) in "OFF" position.
- S10-2 : Leaf switch (metal) in "OFF" position.
- VR1 : Volume control VR.
- VR2 : Tape speed adj. VR.
- DC voltage measurements are taken with electronics voltmeter from negative terminal of battery.

No mark...Playback

- Battery current: No signal.....174mA (VR: MIN)
- Maximum output.....186mA (VR: MAX)

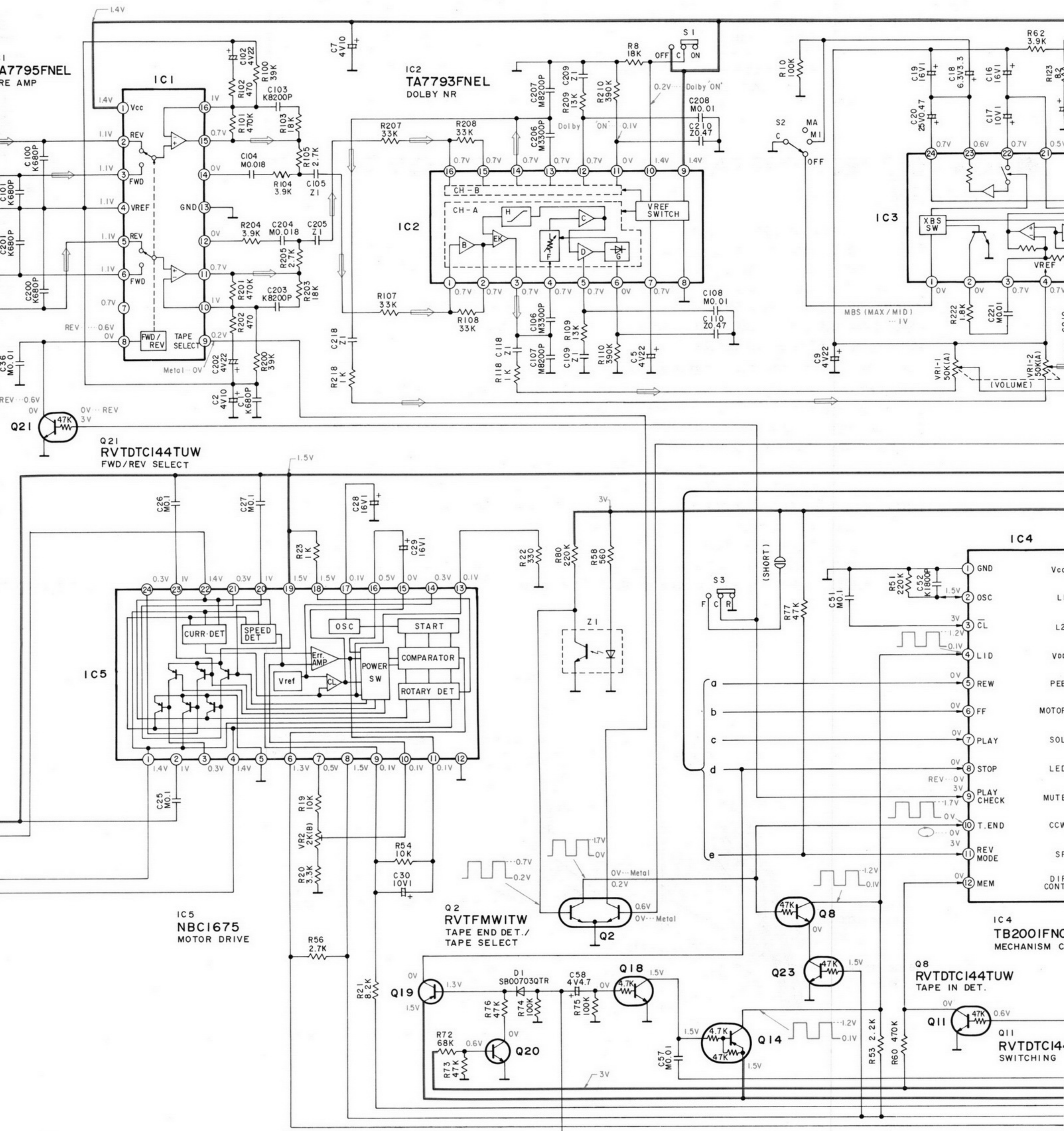
• This schematic diagram may be modified at any time with the development of new technology.

⋈ ...⊕ B LINE
 ⇨ ...PLAYBACK SIGNAL



2 3 4 5 6 7

MAIN CIRCUIT



- Q19 2SB1218STW SWITCHING (STOP)
- Q20 2SC4081RTW SWITCHING
- Q18 RVTDCI43TUW TAPE IN DET
- Q14 RVTDTAI43ZUW TAPE IN DET
- Q23 RVTDCI44TUW SWITCHING (DRIVE: ON)

