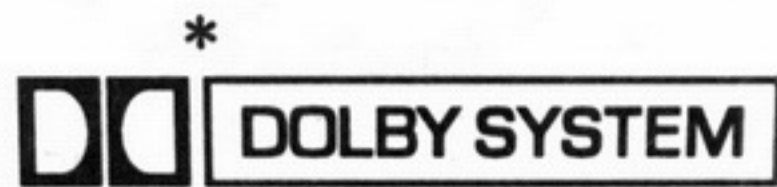


# Service Manual

Mini Cassette

## RQ-SX20



Stereo Cassette Player



Colour (K) ..... Black Type  
(S) ..... Silver Type

### Areas

E ..... Europe.  
EB ..... Great Britain.

\* Dolby noise reduction manufactured under license from Dolby Laboratories Licensing Corporation. "Dolby" and the double-D symbol are trademarks of Dolby Laboratories Licensing Corporation.

## Mechanism Series (AR10)

### Specifications

#### Power Requirement:

**Battery;** DC 1.5 V one "AA" size battery (not included) (Panasonic R6, LR6 or equivalent not included)

**Rechargeable Battery;** DC 1.2 V with an included Panasonic Rechargeable Battery (RP-BP62EYS1) x1

**Power Output:** 4 mW + 4 mW...RMS (max.)

#### Output Jack:

**Headphones;** 30 ohm (stereo mini jack diameter 3.5)

**Dimensions:** 108.8(W)/75.3(H)/20.2(D) mm

**Weight:** 160 g (with rechargeable battery)

#### Charger:(E)

**Input;** AC 230 V, 50 Hz, 4 W (RP-BC155AEY) (included)

**Output;** DC 1.2 V, 340 mA

(EB)

**input;** AC 240V, 50 Hz, 4 W (RP-BC155EBYA) (included)

**output;** DC 1.2 V, 350 mA

#### Frequency Range:

**Normal/High/Metal;** 40 ~ 18,000 Hz (- 6 dB)

#### Playing time:

(When used in hold mode, at 25 degree temperature and on flat stable surface,)

**Panasonic dry cell battery (R6):** Approx. 14 h

**Panasonic Alkaline dry cell battery (LR6):** Approx. 35 h

**Rechargeable battery (when rechargeable 2 hours.):** Approx. 11 h

**Panasonic dry cell battery (R6) with rechargeable battery:** Approx. 25 h

**Panasonic Alkaline dry cell battery (LR6) with rechargeable battery:** Approx. 45 h

The play time may be less depending on the operating conditions.

**Recharging time:** About 2 hours

**Motor:** Electrical governor motor

**Track system:** 4 track, 2 channel, stereo

**Tape Speed:** 4.8 cm/s

**Note:** Design and specifications are subject to change without notice. Weight and dimensions are approximate.

### ⚠ WARNING

This service information is designed for experienced repair technicians only and is not designed for use by the general public. It does not contain warnings or cautions to advise non-technical individuals of potential dangers in attempting to service a product.

Products powered by electricity should be serviced or repaired only by experienced professional technicians. Any attempt to service or repair the product or products dealt with in this service information by anyone else could result in serious injury or death.

# Panasonic®

© 1997 Matsushita Electric Industrial Co., Ltd.  
All rights reserved. Unauthorized copying and distribution is a violation of law.

## ■ Schematic Diagram (See parts list on page 20.)

(This schematic diagram may be modified at any time with development of new technology.)

### Notes:

- S1 : FWD/REV switch in "FWD" position.
  - S2 : HOLD (HOLD) switch in "ON" position.
  - S3 : Dolby noise reduction (NR) switch in "OFF" position.
  - S4 : Tone select (OFF/S-XBS/TRAIN) switch in "OFF" position.
  - S5 : B.S. OFF/ON, ↶/↷ (BLANK SKIP, REVERSE MODE) switch in "↷" position.  
(ON: ↶, OFF: ↷)
  - S11-1 : Tape IN/OUT det. switch in "OUT(OFF)" position.  
[IN(ON)...Tape in, OUT(OFF)...Tape out]
  - S11-2 : Tape detector (METAL/NORMAL) switch in "OFF(METAL)" position.  
[ON: NORMAL, OFF: METAL]
  - S7 : Play (◀▶) switch.
  - S8 : Fast forward (FF) switch.
  - S9 : Rewind (REW) switch.
  - S10 : Stop (■) switch.
  - VR1-1,2 : Volume adjustment.
  - VR2 : Tape speed adjustment.
- DC voltage measurements are taken with electronics voltmeter from negative terminal of battery.  
No mark...Playback  
Volume VR MAX... 61mA  
MIN .... 61mA

### ● Signal line

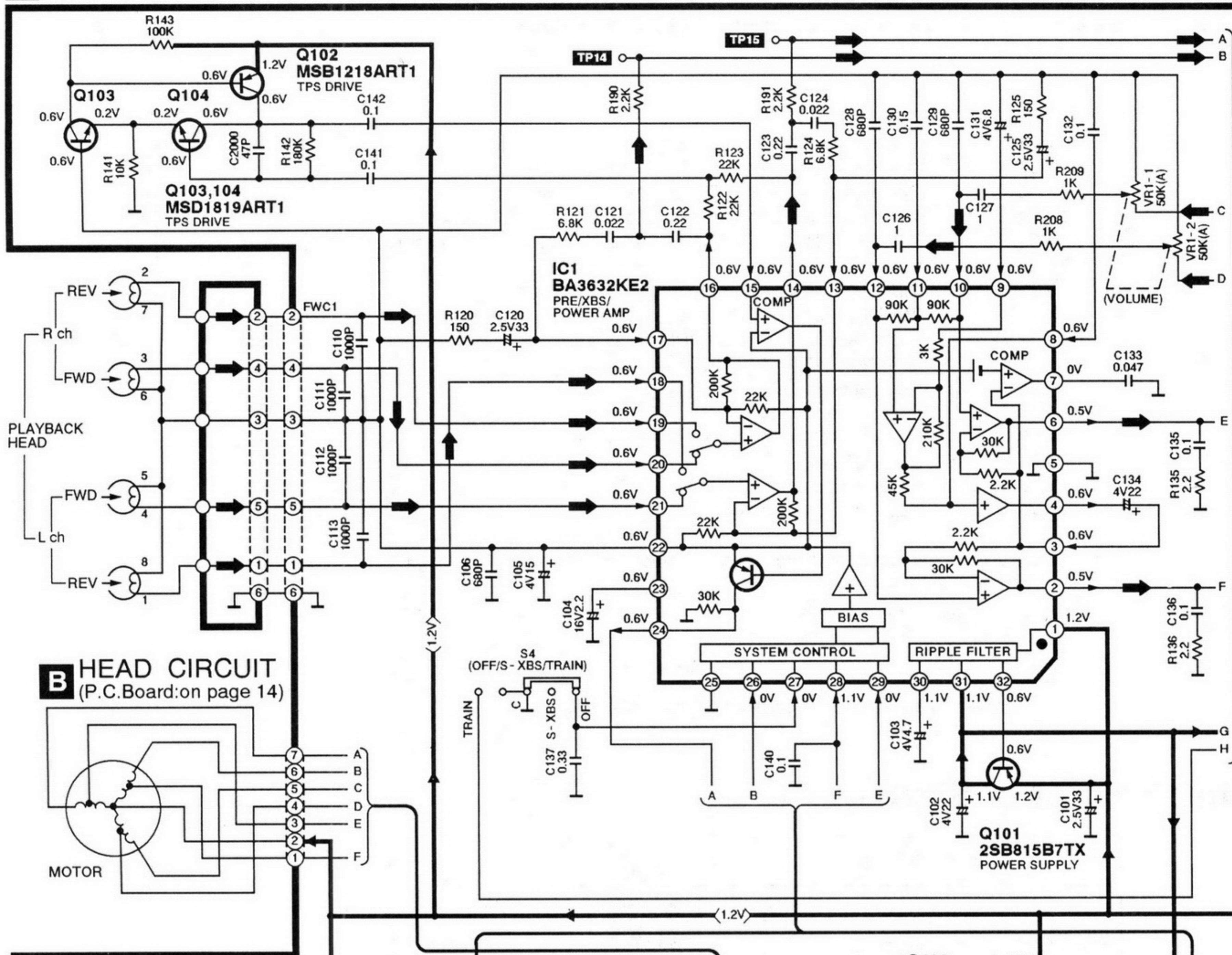
→ : +B line,

→ : Playback signal

## ■ Check Point of Signal

CHECK ITEM		TEST POINT
HEAD → PRE OUTPUT	Lch	<b>TP15</b>
	Rch	<b>TP14</b>
	COM	HP TERMINAL
PRE OUTPUT → DOLBY NR OUTPUT	Lch	<b>TP6</b>
	Rch	<b>TP7</b>
	COM	HP TERMINAL
DOLBY NR OUTPUT → VR INPUT	Lch	VR TERMINAL
	Rch	VR TERMINAL
	COM	VR TERMINAL
VR INPUT → VR OUTPUT	Lch	VR TERMINAL
	Rch	VR TERMINAL
	COM	VR TERMINAL
POWER AMP OUTPUT → HEADPHONES OUTPUT	Lch	HP TERMINAL
	Rch	HP TERMINAL
	COM	HP TERMINAL
PHOTO COUPLER (END)	PULSE OUTPUT	<b>TP43</b>

**A** MAIN CIRCUIT (P.C.Board: on page 14)



**B** HEAD CIRCUIT (P.C.Board: on page 14)

