

# Service Manual

Radio Cassette

## RQ-V150

Stereo Radio Cassette Player

Color

(K)..... Black Type



Country Code	Areas	Color
[E]	Continental Europe.	(K)
[EB]	United Kingdom.	
[EG]	F. R. Germany and Italy.	

### ■ SPECIFICATIONS

#### General:

Power Requirement: Battery; 3V (Two UM-3, R6/LR6 batteries)

AC; 220V/240V 50Hz  
(with optional AC Adaptor RP-AC33)

Power Output: 40mW (20mWx2)···RMS (max.)

Input: DC IN; 3V (φ 3.4)

Output: Headphones; 32 Ω, φ3.5

Dimensions: 83(W)x125(H)x38(D)mm

Weight: Main Unit;  
260g without batteries  
Headphones;  
52g with cord

#### Radio Section:

Radio Frequency Range: FM 87.5 ~ 108MHz

AM 520 ~ 1610kHz

Intermediate Frequency: FM 10.7MHz

AM 459kHz···[E]only

455kHz···[EG]only

FM 2.5μV/0.5mW output

(-3dB Limit, Sens)

AM; 126μV/m/0.5mW output

#### Sensitivity:

#### Tape Deck Section:

Frequency Response: Normal·····50 ~ 14,000Hz

Tape Speed: 4.8cm/s

Program Time: 1 hour with C-60 cassette tape

Track System: 4-track, 2-channel, stereo playback

Design and specifications are subject to change without notice.

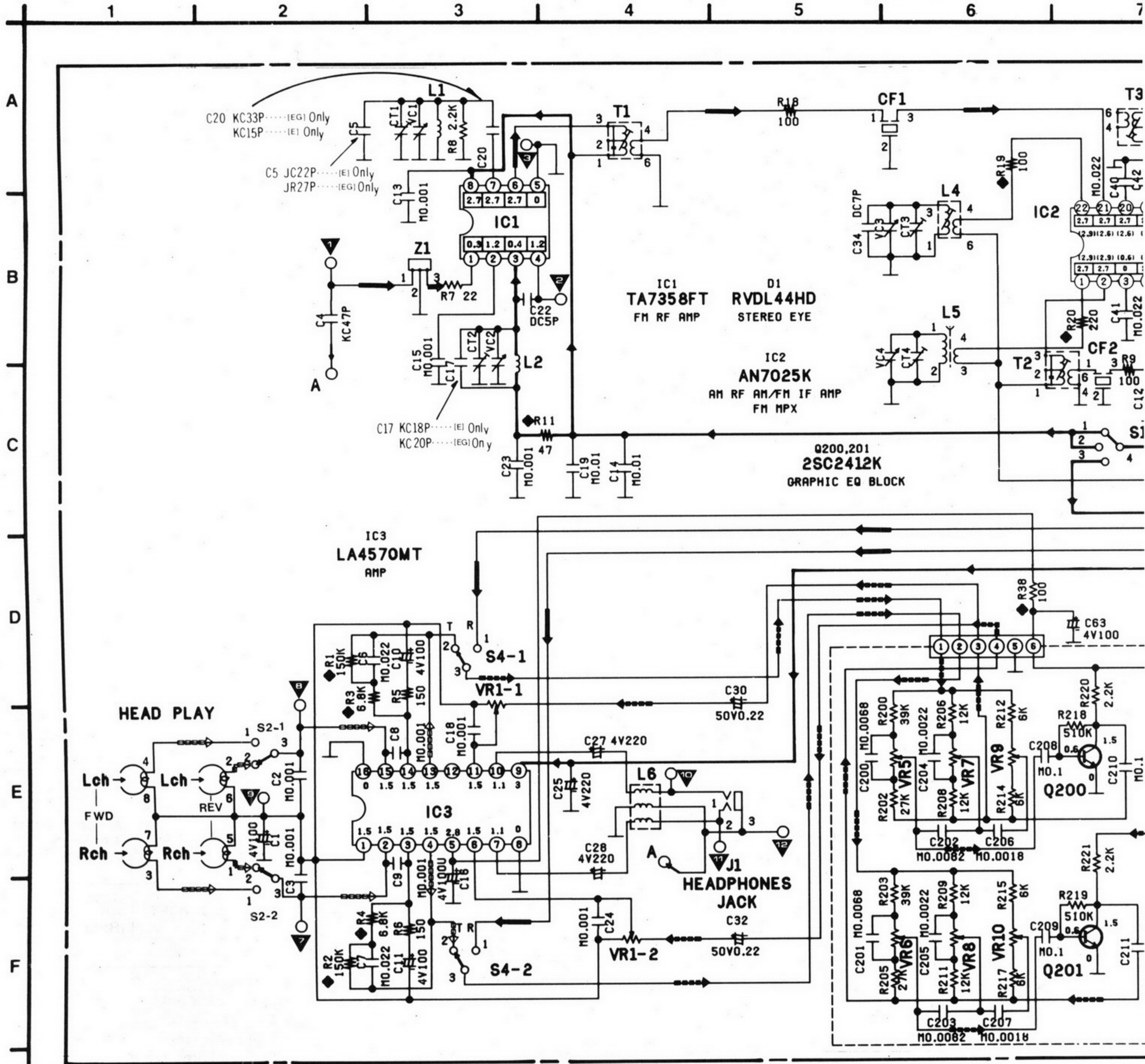
# Panasonic

Matsushita Electric Industrial Co., Ltd.

Central P.O. Box 288, Osaka 530-91, Japan



**SCHEMATIC DIAGRAM**

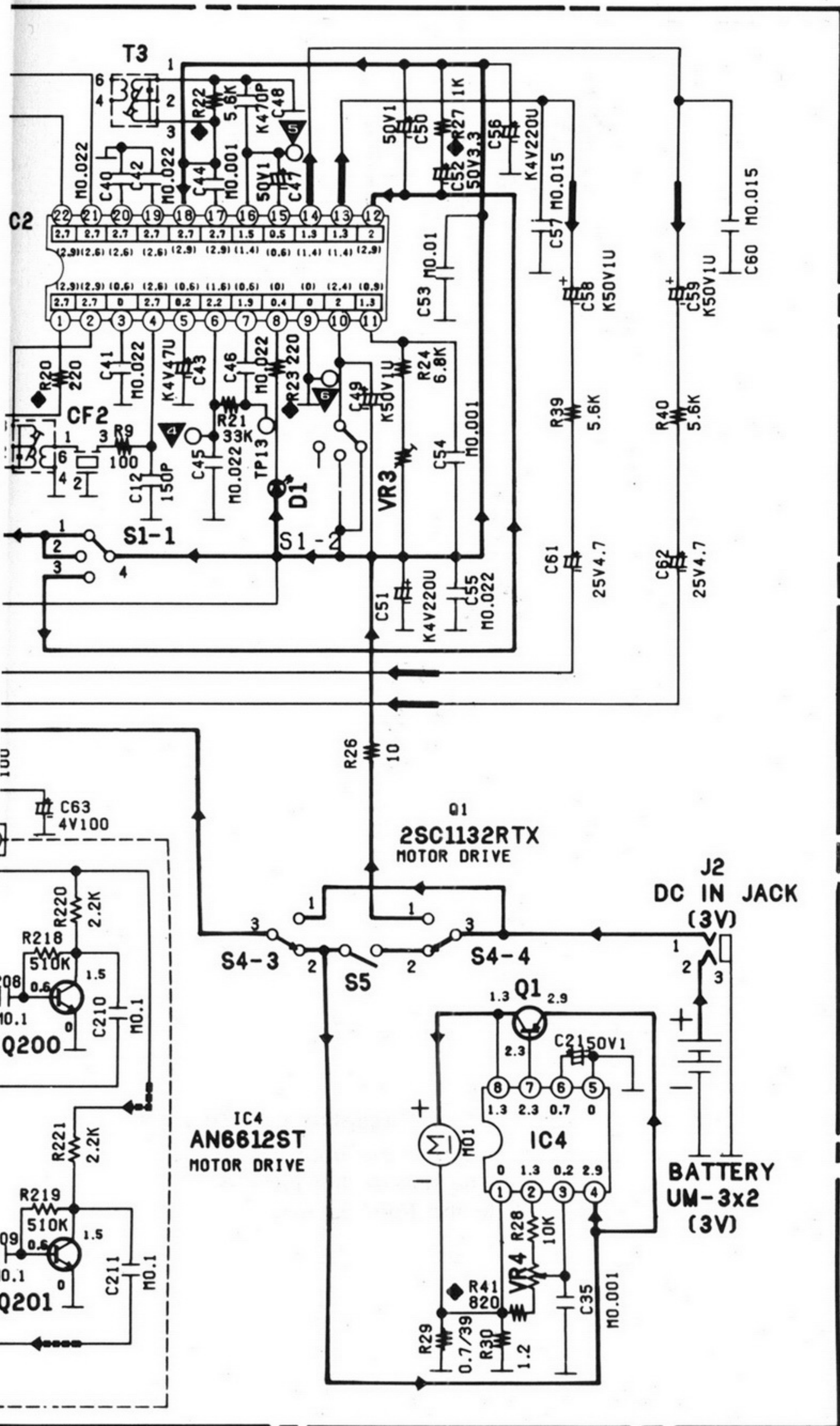


**Notes:**

- 1. S1-1, S1-2: Band select switch in "AM" position.  
(1...AM, 2...FM/DX, 3...FM/LOCAL.)
- 2. S2-1, S2-2: FWD/REV select or switch in "REV" position.  
(1...FWD, 2...REV)
- 3. S4-1~S4-4: Function switch in "Tape" position.  
(1...RADIO, 2...TAPE)
- 4. S5: Motor switch in "OFF" position.
- 5. VR1-1~1-2: Volume control VR.
- 6. VR3: FM VCO Frequency adjust VR.
- 7. VR4: Tape speed adjustment VR.
- 8. VR5~10: Graphic equalizer VR. (100Hz/1kHz/10kHz)
- 9. The mark (▼) shows test point e.g. ▼ = test point 1.
- 10. DC voltage measurement are taken with electronics voltmeter from negative terminal of battery.  
□...FM position, ( )...AM position,  
No mark... Playback position.
- 11. Battery current: Volume minimum output (radio) .....15mA  
Volume minimum output (tape).....12mA  
Volume Maximum output (radio) .....20mA  
Volume Maximum output (tape) ..... 15mA  
(Radio, 74dB 30% Modulation)  
(Tape, 315 Hz 0dB tape playback)



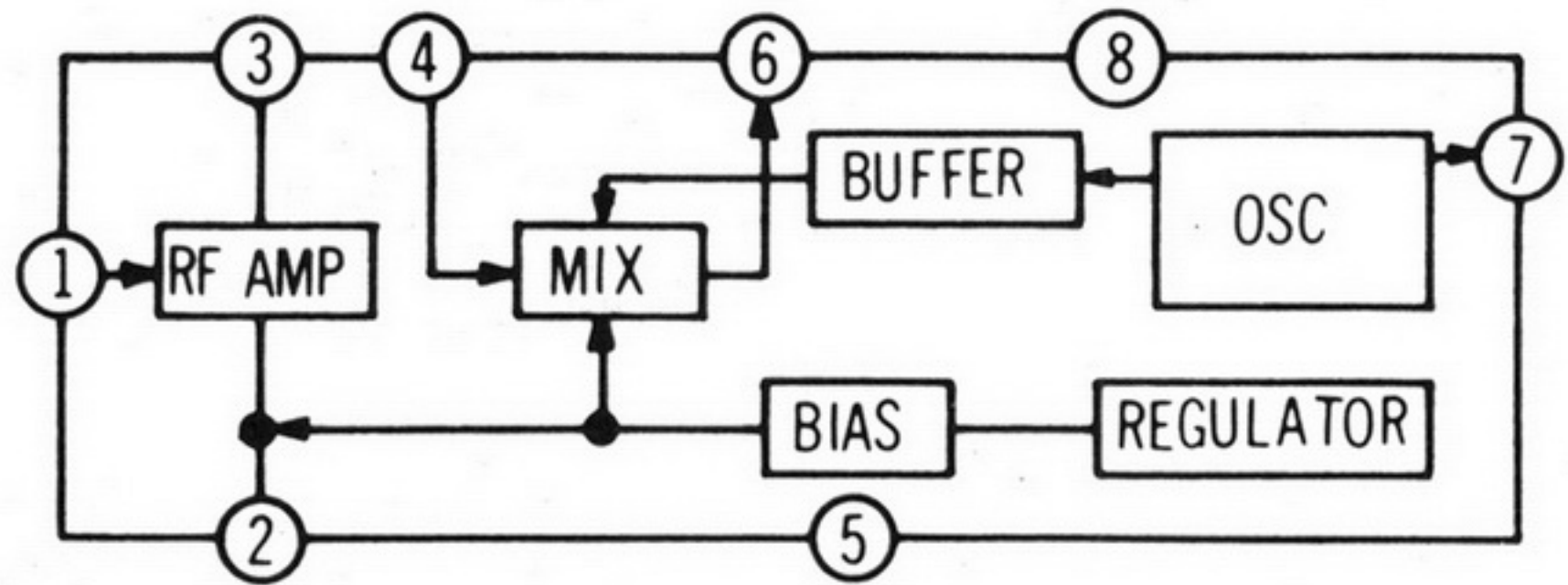
7 8 9



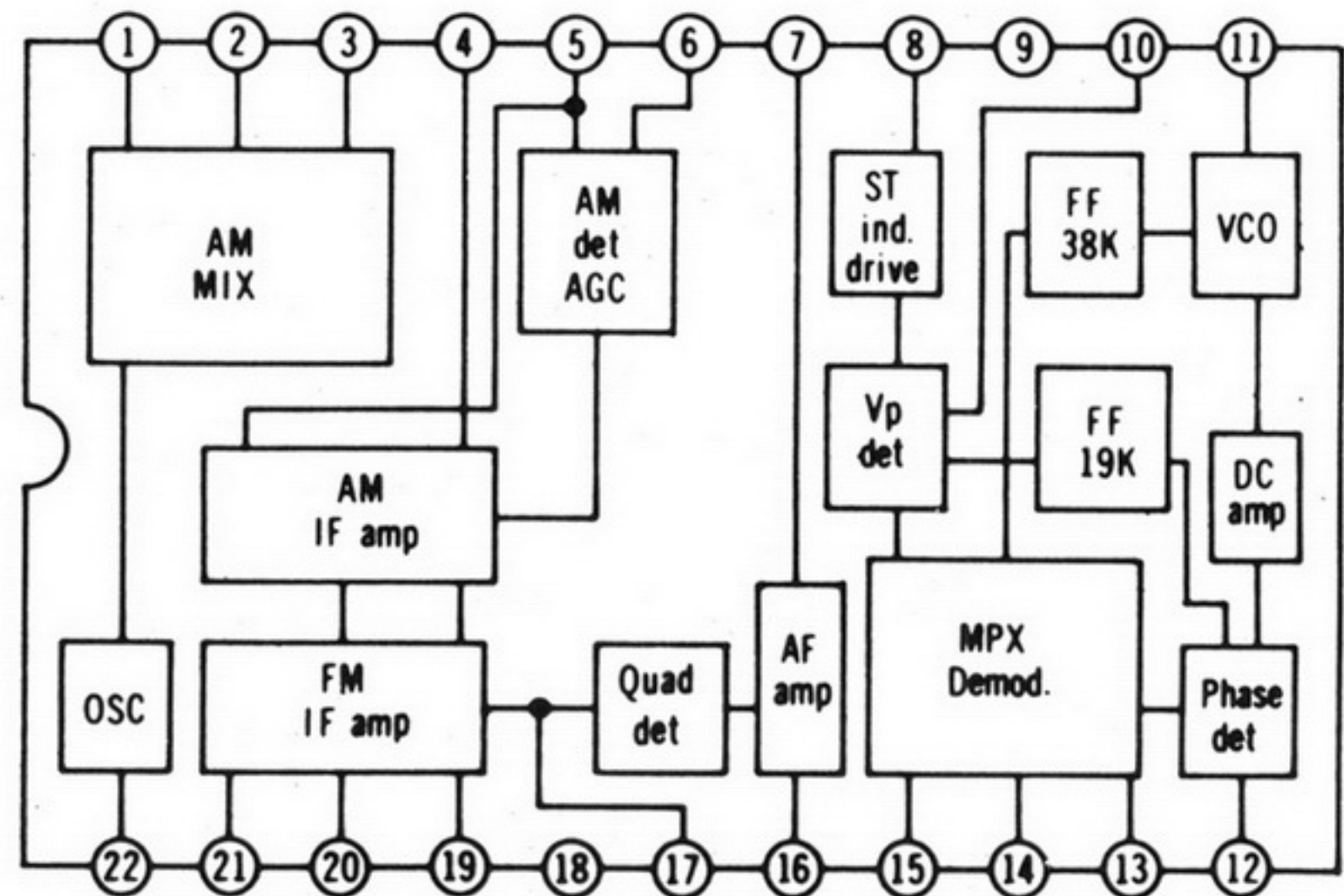
12. +B Voltage Line.  
 Playback Signal.  
 FM Signal.  
 Playback and Radio Signal.  
13. Printed Resistor.

z/10kHz)  
 st point 1.  
 tronics  
 io) .....15mA  
 e).....120mA  
 dio) .....24mA  
 pe) ..... 157mA  
 n  
 back )

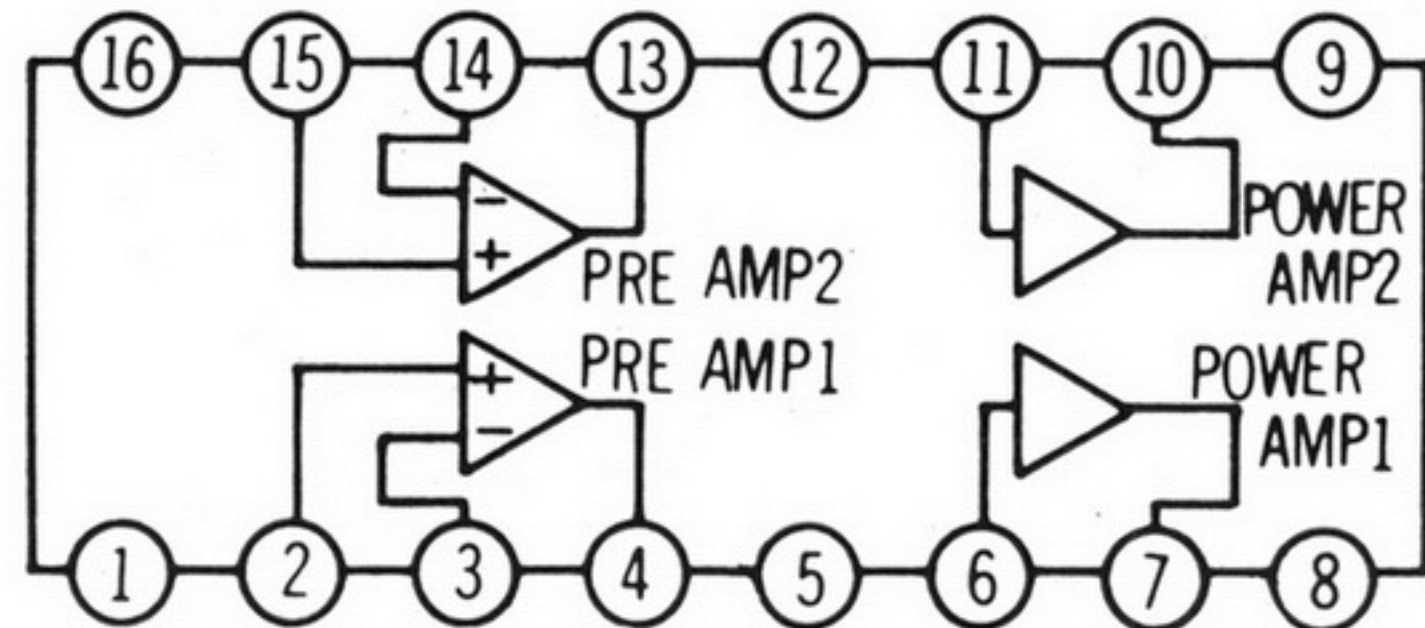
## IC1 TA7358F



## IC2 AN7025K



## IC3 LA4570MT



## IC4 AN6612ST

