

# Service Manual

Radio Cassette

## RQ-V158

Stereo Radio Cassette Player

Color

(K)..... Black Type



Area

Country Code	Areas	Color
[E]	Continental Europe.	(K)
[EG]	F.R. Germany/ Italy.	

### RQ-V150 MECHANISA SERIES (HRB27)

#### ■ SPECIFICATIONS

##### General:

Power Requirement: Battery; 3V (Two "AA" size, R6/LR6 batteries)  
AC; with optional Panasonic AC adaptor RP-AC33E

Power Output: 32mW (16mWx2)···RMS (max.)

Input: DC IN; 3V (⊖ ⊕)

Output: Headphones; 20 Ω, ϕ3.5

Dimensions: 84(W)x126(H)x39.5(D)mm

Weight: Main Unit  
260g without batteries  
Headphones  
58g with cord

##### Radio Section:

Radio Frequency Range: FM 87.5~108MHz  
AM 520~1610kHz

Intermediate Frequency: FM 10.7MHz  
AM 459kHz

Sensitivity: FM 2.8 $\mu$ V/0.5mW output  
(-3dB Limit, Sens)  
AM; 0.13mV/m/0.5mW output

##### Tape Deck Section:

Frequency Response: 30~14000Hz (Normal, Metal/CrO<sub>2</sub>)

Tape Speed: 4.8cm/s

Program Time: 1 hour with C-60 cassette tape

Track System: 4-track, 2-channel, stereo playback

##### Notes:

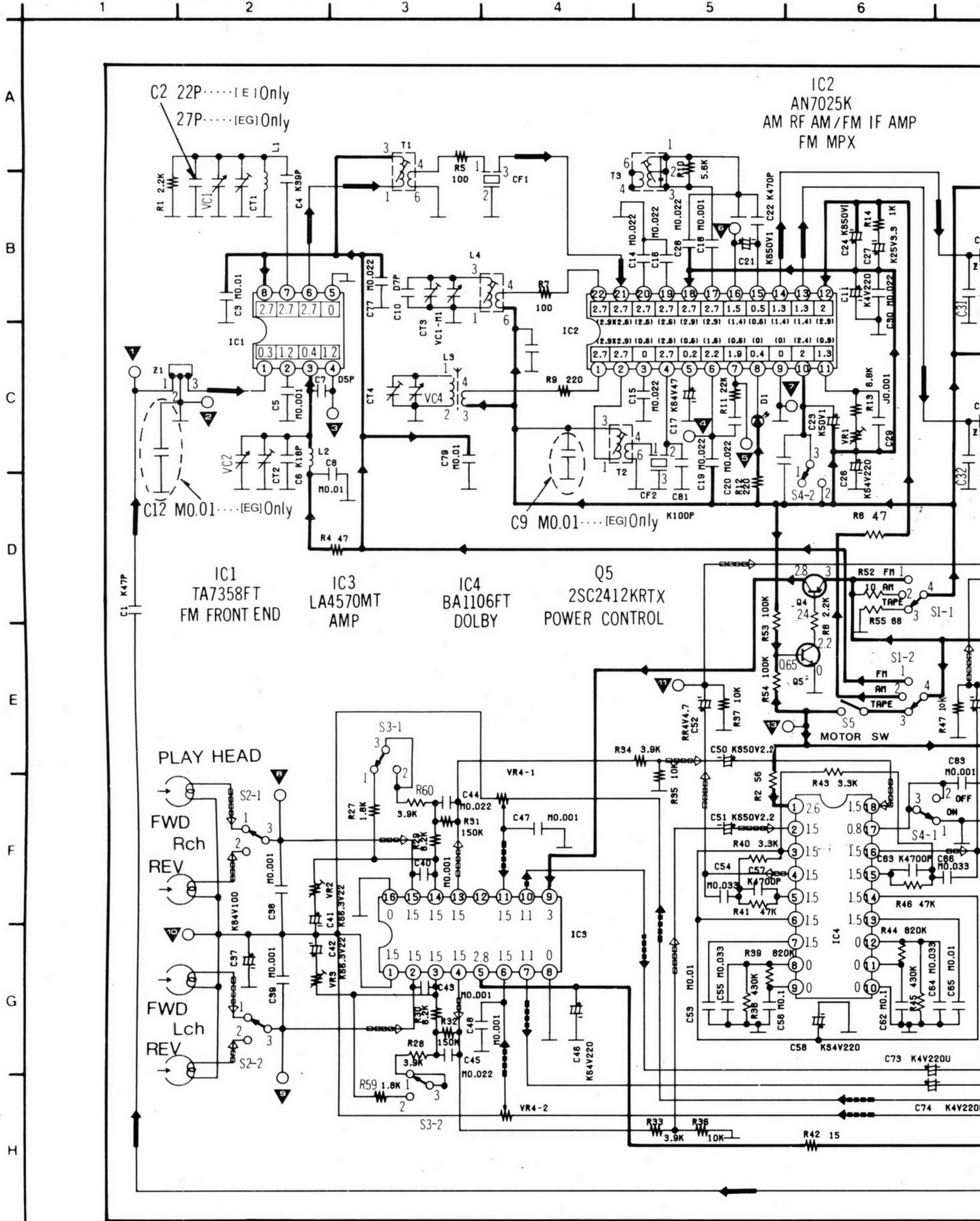
1. Weights and dimensions shown are approximate.
2. Design and specifications are subject to change without notice.

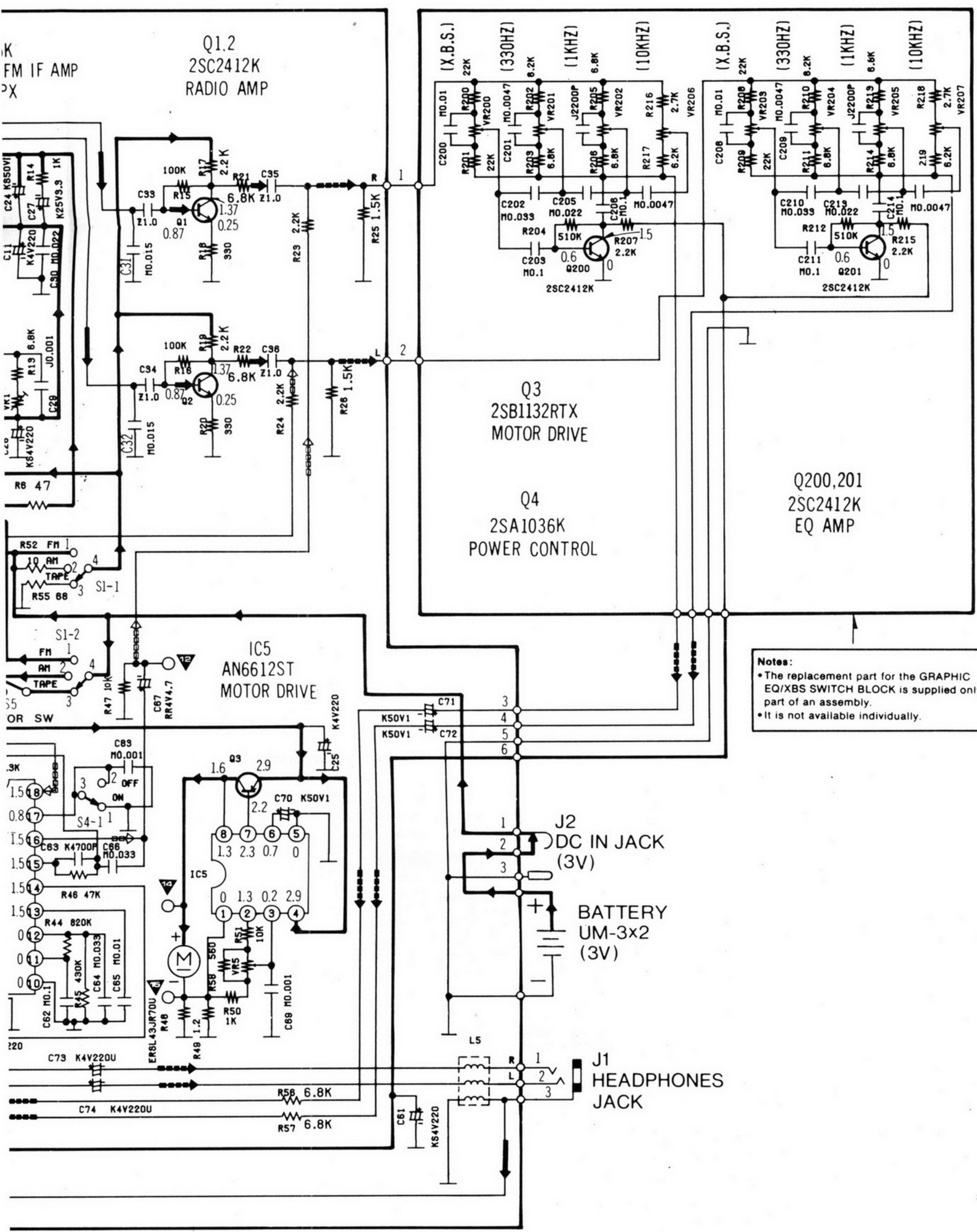
# Panasonic

Matsushita Electric Industrial Co., Ltd.

Central P.O. Box 288, Osaka 530-91, Japan

# SCHEMATIC DIAGRAM





**Notes:**

- The replacement part for the GRAPHIC EQ/XBS SWITCH BLOCK is supplied only as part of an assembly.
- It is not available individually.