

Service Manual

Radio Cassette

RQ-V175

Stereo Radio Cassette Player

Color

(K)..... Black Type

Area

Country Code	Areas	Color
[E]	Continental Europe.	(K)
[EI]	Italy.	



■ SPECIFICATIONS

General:

Power Requirement: Battery, 3V (Two UM-3, R6/LR6 batteries)

AC; with optional AC adaptor RP-AC33

Power Output: 40mW (20mWx2)···RMS (max.)

Input: DC IN; 3V (ϕ 3.4)

Output: Headphones; 35 Ω , ϕ 3.5

Dimensions: 83.2(W)x116.9(H)x34.3(D)mm

Weight: Main Unit; 247g without batteries
Headphones; 58g with cord

Radio Section:

Radio Frequency Range: FM 87.5 ~ 108MHz

AM 520 ~ 1610kHz

Intermediate Frequency: FM 10.7MHz

AM 459kHz···[E]only

455kHz···[EI]only

Sensitivity: FM 3.6 μ V/0.5mW output
(-3dB Limit, Sens)

AM; 447 μ V/m/0.1mW output

Tape Deck Section:

Frequency Response: 30 ~ 18000Hz (Normal, Metal/CrO₂)

Tape Speed: 4.8cm/s

Program Time: 1 hour with C-60 cassette tape

Track System: 4-track, 2-channel, stereo playback

Design and specifications are subject to change without notice.

Panasonic

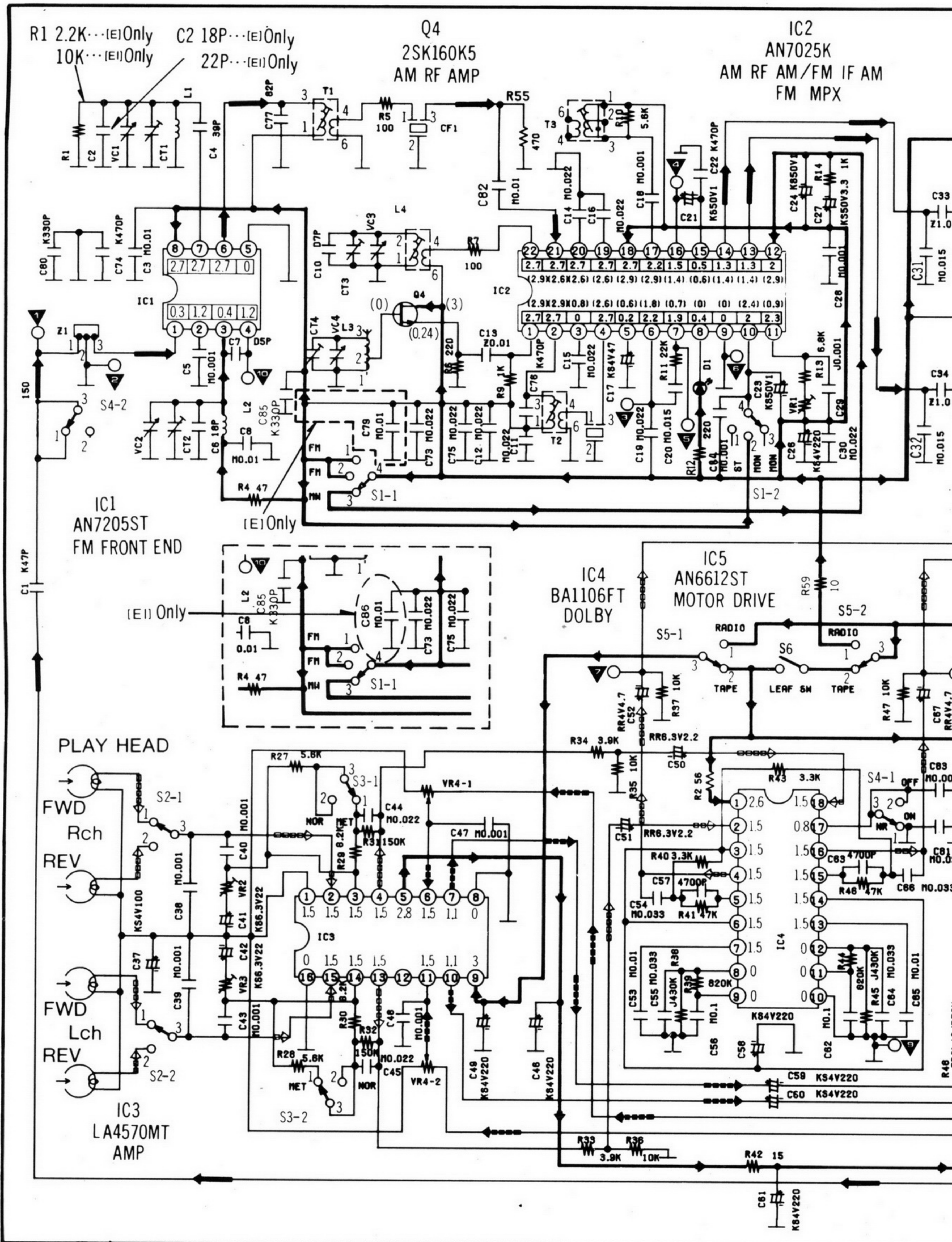
Matsushita Electric Industrial Co., Ltd.

Central P.O. Box 288, Osaka 530-91, Japan

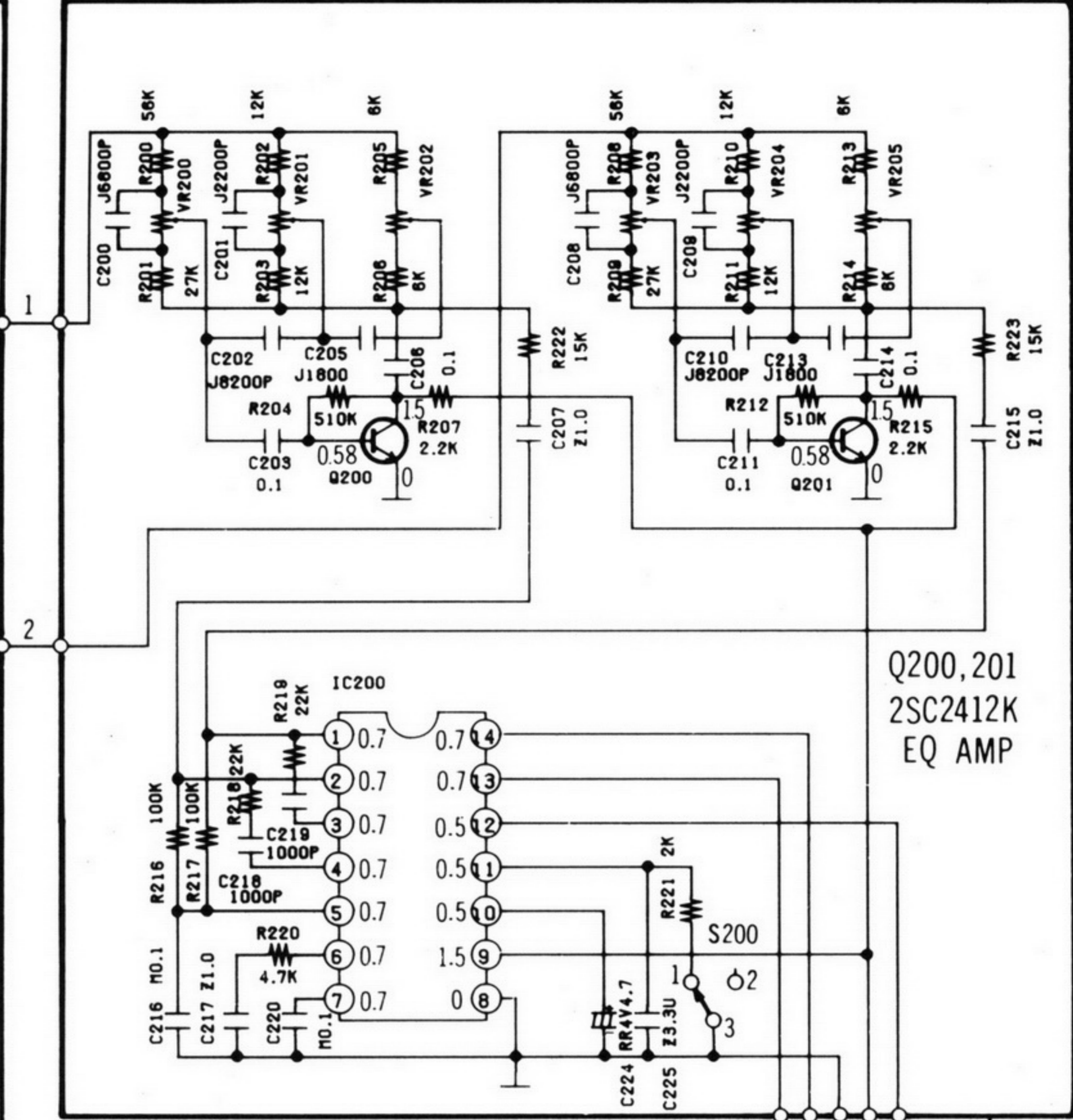
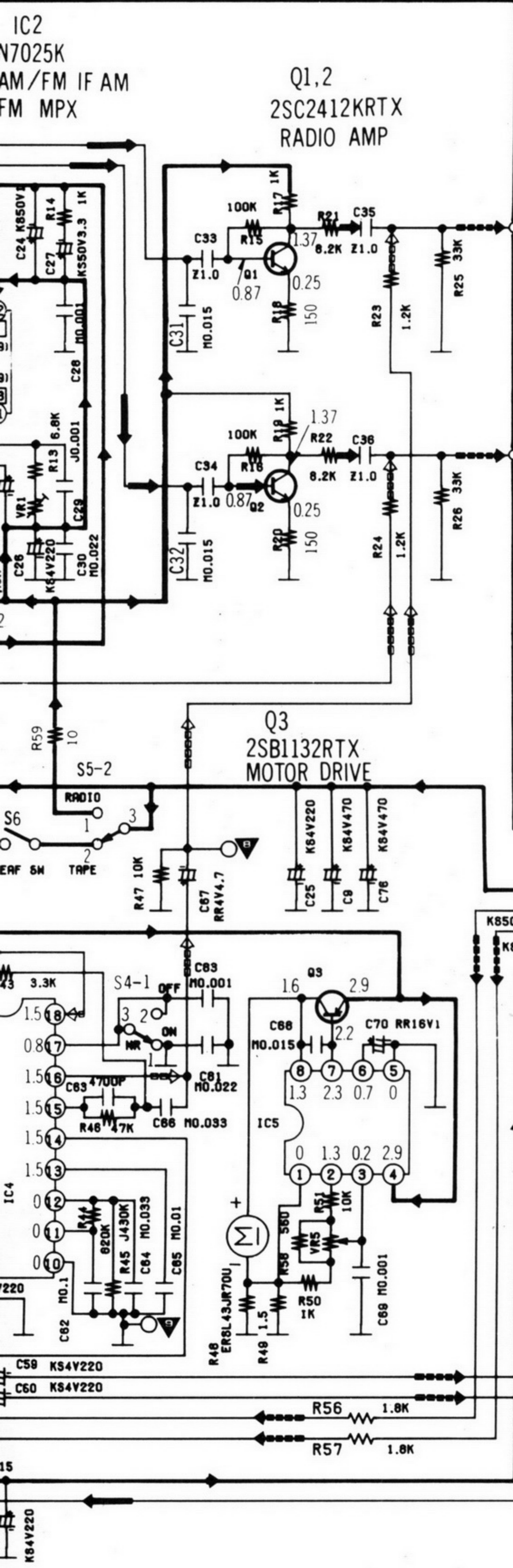
SCHEMATIC DIAGRAM

MAIN CIRCUIT

A
B
C
D
E
F
G
H



GRAPHIC EQUALIZER BLOCK (100Hz/1kHz/10kHz) RRV10Z01A25H



Notes:

- The replacement part for the GRAPHIC EQ/XBS SWITCH BLOCK is supplied only as part of an assembly.
- It is not available individually.

