

Service Manual

Radio Cassette

RQ-V201

Stereo Radio Cassette Player

Colour

(K)..... Black Type



Area

Suffix for Model No.	Areas	Colour
[EG]	Europe	(K)

■ SPECIFICATIONS

General:

Power Requirement: Battery; 3V
[Two "AA" size, (R6/LR6) batteries]
AC; with optional AC adaptor
RP-AC31

Power Output: 12mW(6.0mW×2)···RMS (max.)

Input: DC IN; 3V (\diamond -C- \diamond)

Output: Headphones; 16 Ω , ϕ 3.5

Dimensions: 114.3(W)×86.6(H)×37.6(D)mm

Weight: 183g without batteries

Radio Section:

Radio Frequency Range: FM; 87.5~108MHz (0.05MHz step)
AM; 522~1611kHz(9kHz step)

Intermediate Frequency: FM; 10.7MHz
AM; 459kHz

Sensitivity: FM; 5.62 μ V/0.5mW output
(-3dB Limit, Sens)
AM; 398 μ V/m/0.5mW output

Tape Deck Section:

Frequency Response: 40~16,000Hz (Normal, CrO₂/Metal)

Tape Speed: 4.8cm/s

Program Time: 1 hour with C-60 cassette tape

Track System: 4-track, 2-channel stereo playback

Notes:

1. Weights and dimensions shown are approximate.
2. Design and specifications are subject to change without notice.

⚠ WARNING

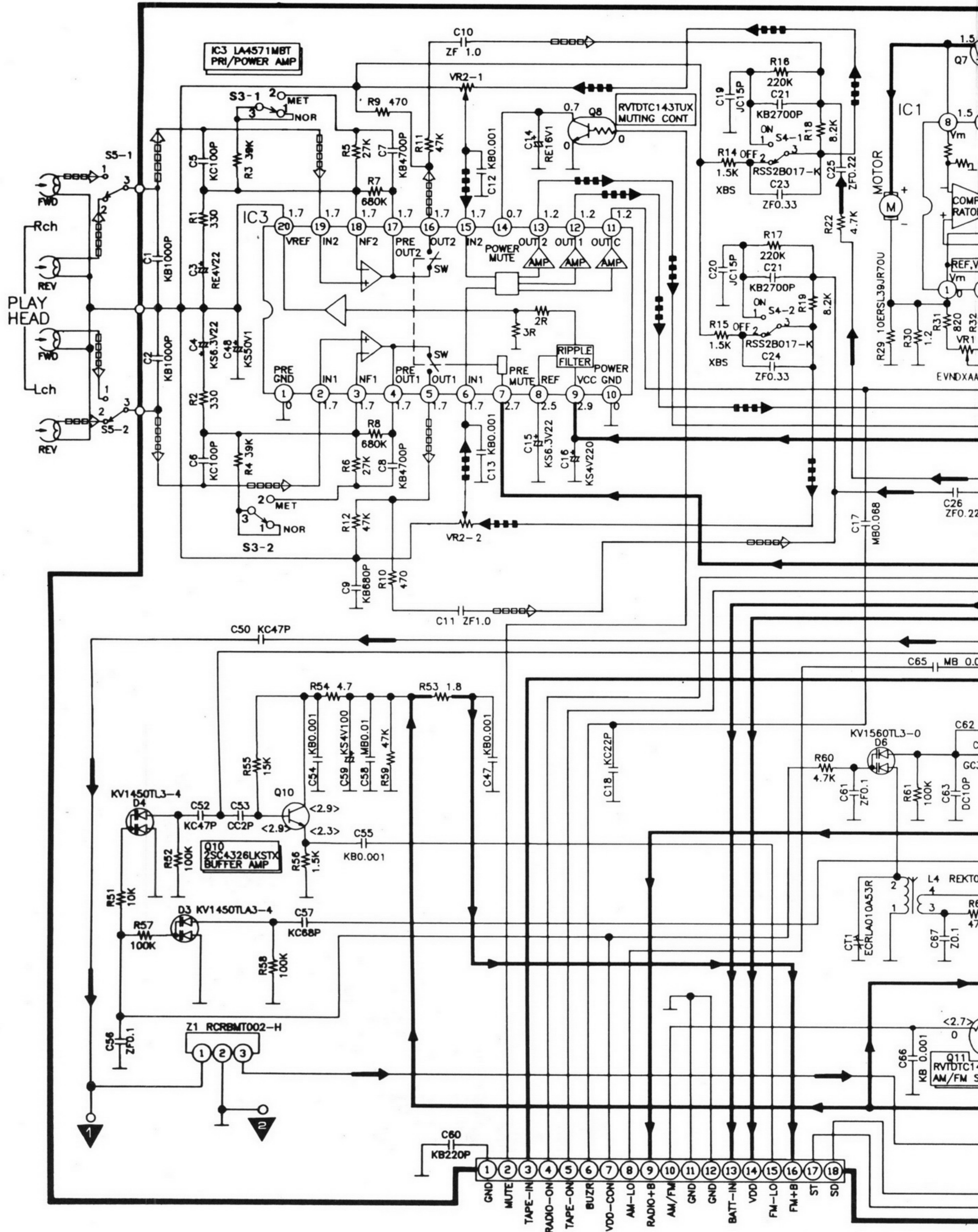
This service information is designed for experienced repair technicians only and is not designed for use by the general public. It does not contain warnings or cautions to advise non-technical individuals of potential dangers in attempting to service a product. Products powered by electricity should be serviced or repaired only by experienced professional technicians. Any attempt to service or repair the product or products dealt with in this service information by anyone else could result in serious injury or death.

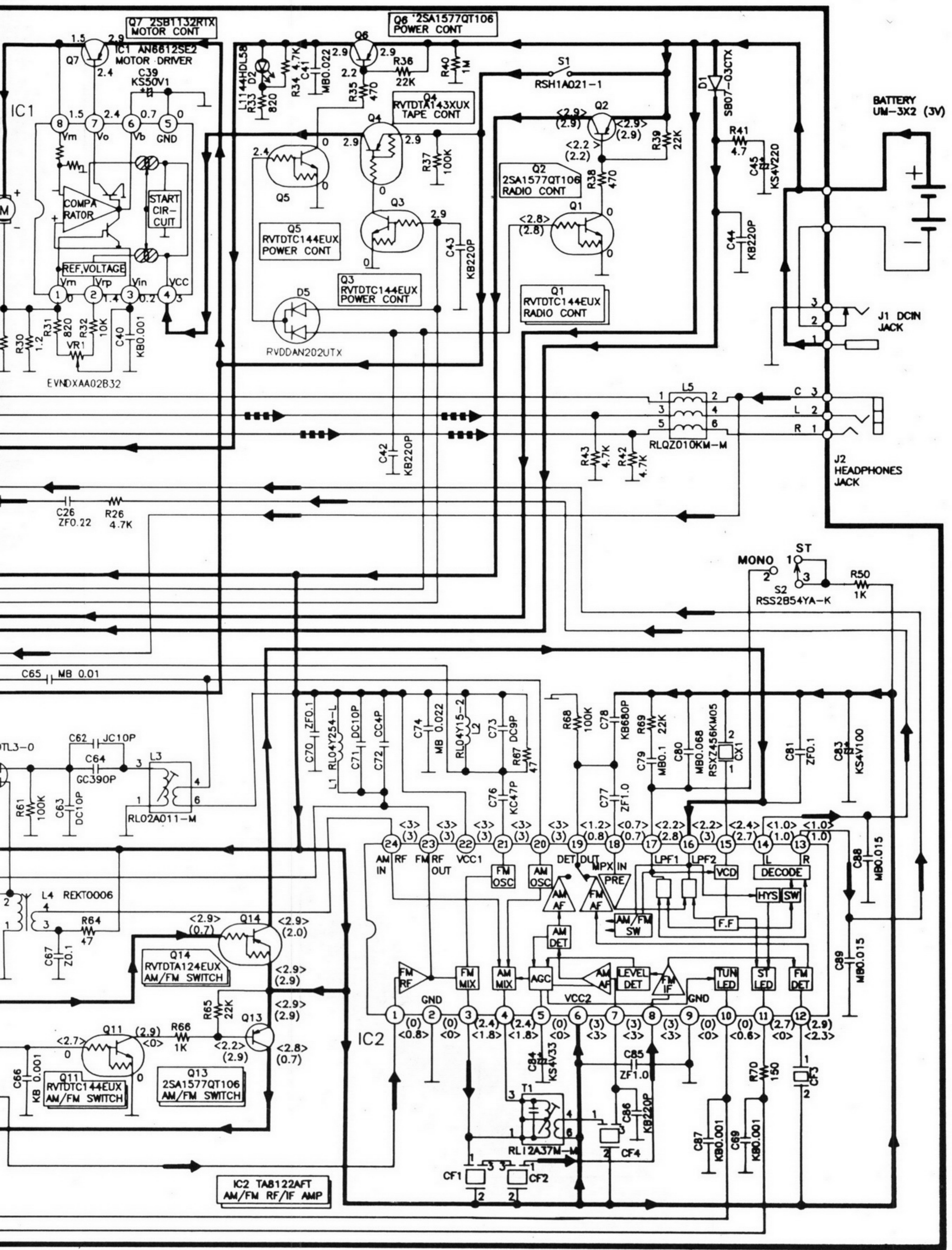
Panasonic®

© 1996 Matsushita Electric Industrial Co., Ltd.
All rights reserved. Unauthorized copying and distribution is a violation of law.

SCHEMATIC DIAGRAM

A
B
C
D
E
F
G





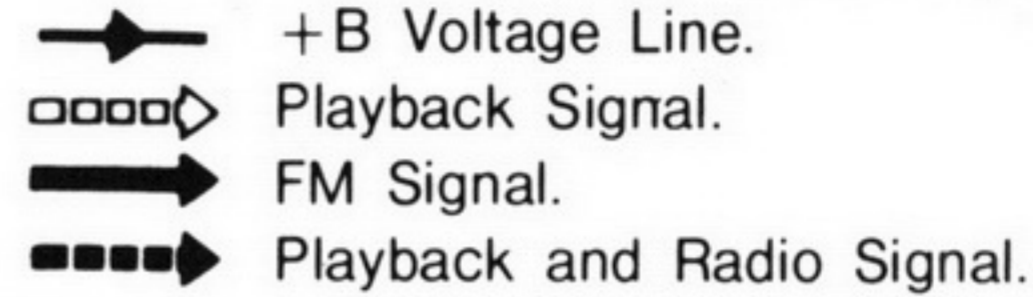
SCHEMATIC DIAGRAM

LCD CIRCUIT

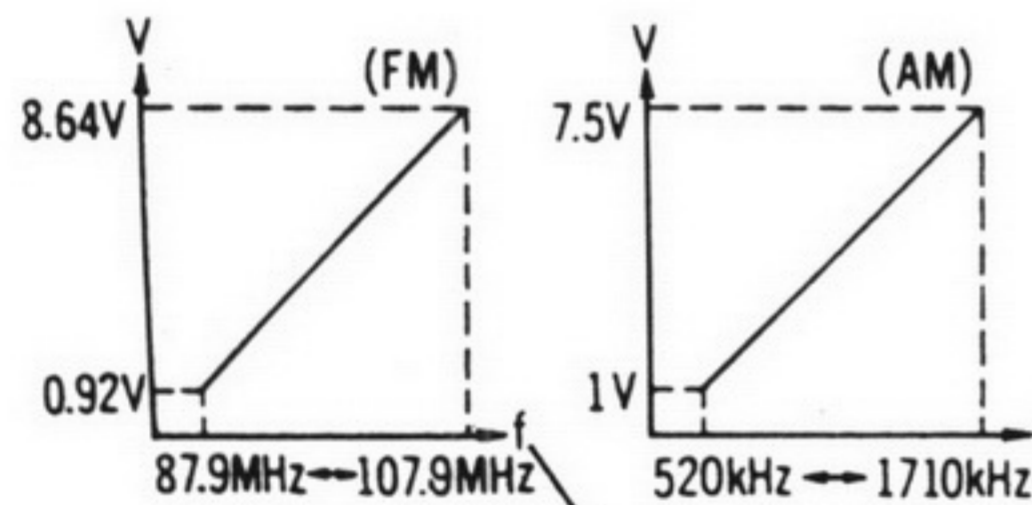
Notes:

- S1: Motor switch in "OFF" position.
- S2: FM mode switch in "ST" position.
(1...ST, 2...MONO)
- S3-1, 3-2: Tape selector switch in "NOR" position,
(1...NOR, 2...CrO₂/MET)
- S4-1, 4-2: XBS switch in "ON" position.
(1...ON, 2...OFF)
- S5-1, 5-2: FWD/REV select switch in "REV" position.
(1...FWD, 2...REV)
- S201: Hold switch in "OFF" position
- S202~206: Direct tuning switches.
[S202: 1, S203: 2, S204: 3, S205: 4, S206: 5]
- S207: Band/Mode select (• FM/AM/-MODE) switch in "OFF" position.
- S208: Tuning down switch in "OFF" position.
- S209: Tuning up switch in "OFF" position.
- S210: Radio ON/OFF switch in "OFF" position.
- VR1: Tape speed adjustment VR.
- VR2-1: Volume control VR (Rch).
- VR2-2: Volume control VR (Lch).
- The mark (▼) shows test point e.g. ▼ = test point 1.
- DC voltage measurement are taken with electronics voltmeter from negative terminal of battery.
< >...FM position, ()...AM position.
No mark...Playback position

- Battery current: Volume minimum output (Radio).....75mA
Volume minimum output (Tape).....160mA
Volume Maximum output (Radio).....125mA
Volume Maximum output (Tape).....200mA
(Radio, 74dB 30% Modulation.)
(Tape, 315Hz 0dB tape playback)



● This schematic diagram may be modified at any time with the development of new technology.



Q204, 205
2SC4081RTX
DC-DC CONV

Q203
2SK303V3TB
FET STABILIZER

Q201, 202
2SC4081RTX
POWER SUPPLY CONT

