

Service Manual

Radio Cassette

RQ-V50

Stereo Radio Cassette Player

Color

(K)..... Black Type



Country Code	Areas	Color
[E]	Continental Europe.	(K)
[EG]	F.R. Germany and Italy.	

■ SPECIFICATIONS

General:

Power Requirement: Battery; 3V (Two UM-3, RL/LR6 batteries)
AC; 220V/240V 50Hz
(with optional AC Adaptor
RP-AC33)

Power Output: 40mW (20mWx2)···RMS (max.)

Input: DC IN; 3V (ϕ 3.4)

Output: Headphones; 24 Ω , ϕ 3.5

Dimensions: 83(W)x125(H)x36(D)mm

Weight: Main Unit;
200g without batteries

Headphones;
52g with cord

Radio Section:

Radio Frequency Range: FM 87.5 ~ 108MHz

AM 520 ~ 1610kHz

Intermediate Frequency: FM 10.7MHz

AM 459kHz···[E] only

455kHz···[EG] only

Sensitivity:

FM 3 μ V/0.5mW output

(-3dB Limit, Sens)

AM; 125 μ V/m/0.5mW output

Tape Deck Section:

Frequency Response: Normal·····50 ~ 14,000Hz

Tape Speed: 4.8cm/s

Program Time: 1 hour with C-60 cassette tape

Track System: 4-track, 2-channel, stereo playback

Design and specifications are subject to change without notice.

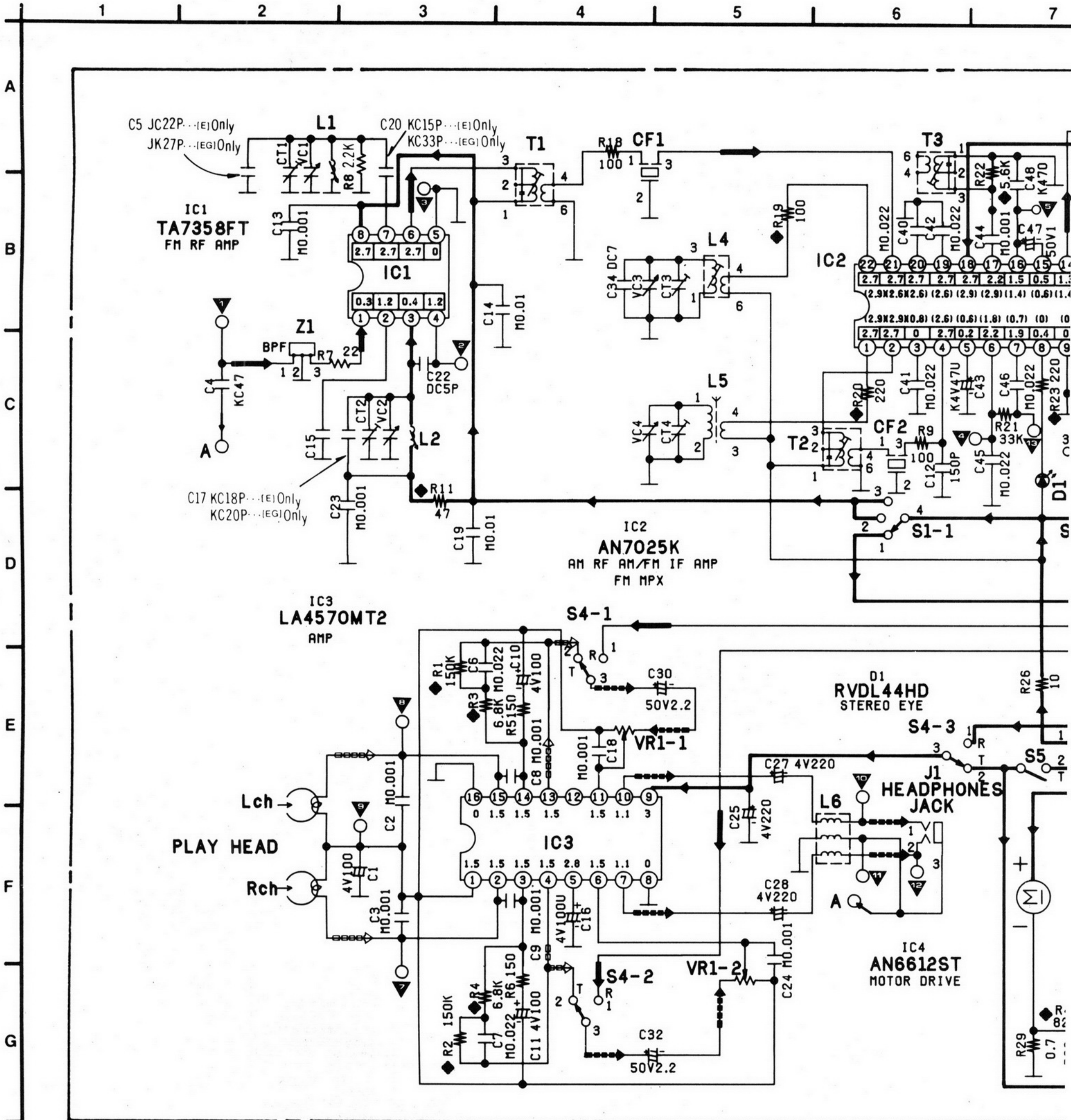
Panasonic

Matsushita Electric Industrial Co., Ltd.

Central P.O. Box 288, Osaka 530-91, Japan

SCHEMATIC DIAGRAM

RQ-V50 RQ-V50

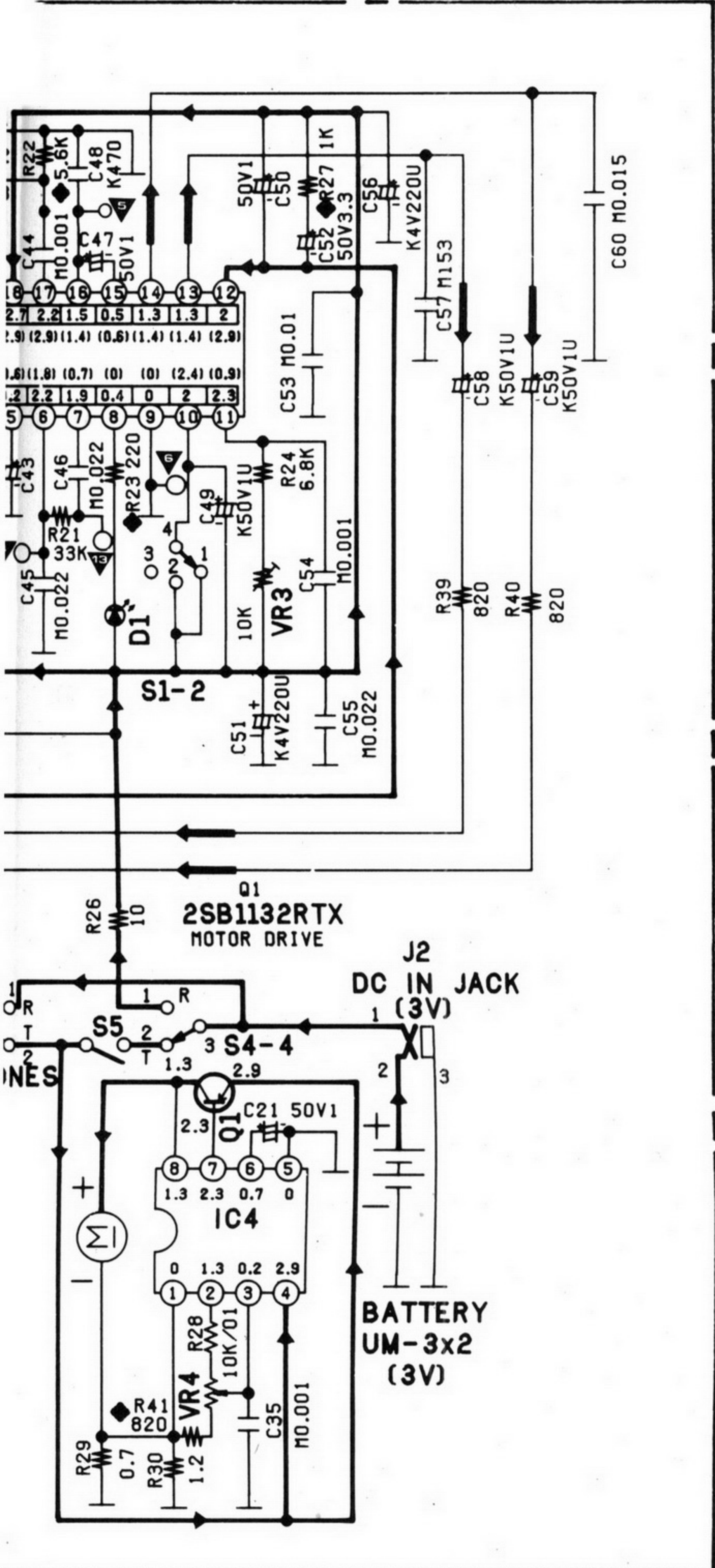


Notes:

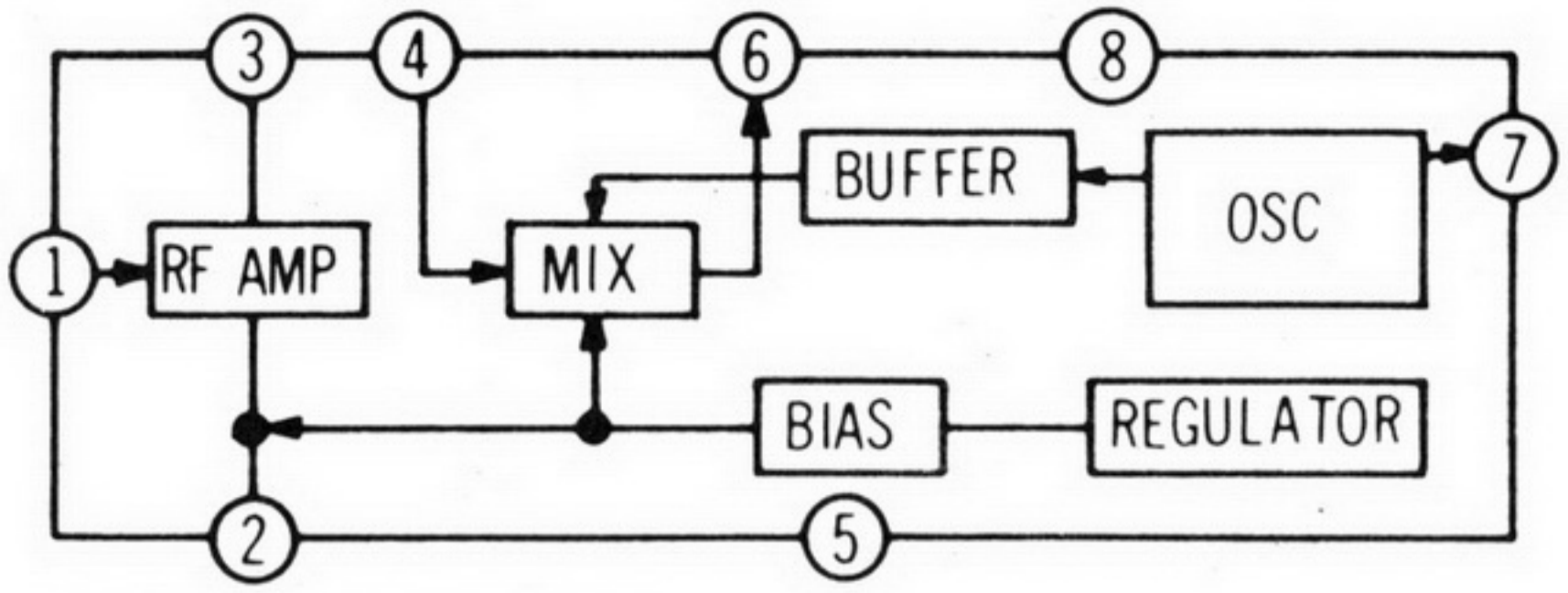
1. S1-1, S1-2: Band select switch in "AM" position.
(1...AM, 2...FM/DX, 3...FM/LOCAL).
2. S4-1~S4-4: Function switch in "Tape" position.
(1...RADIO, 2...TAPE)
3. S5: Motor switch in "OFF" position.
4. VR1-1~1-2: Volume control VR.
5. VR3: FM VCO Frequency adjust VR.
6. VR4: Tape speed adjustment VR.

7. The mark (▼) shows test point e.g. ▼ = test point 1.
8. DC voltage measurement are taken with electronics voltmeter from negative terminal of battery.
□...FM position, ()...AM position,
No mark... Playback position.

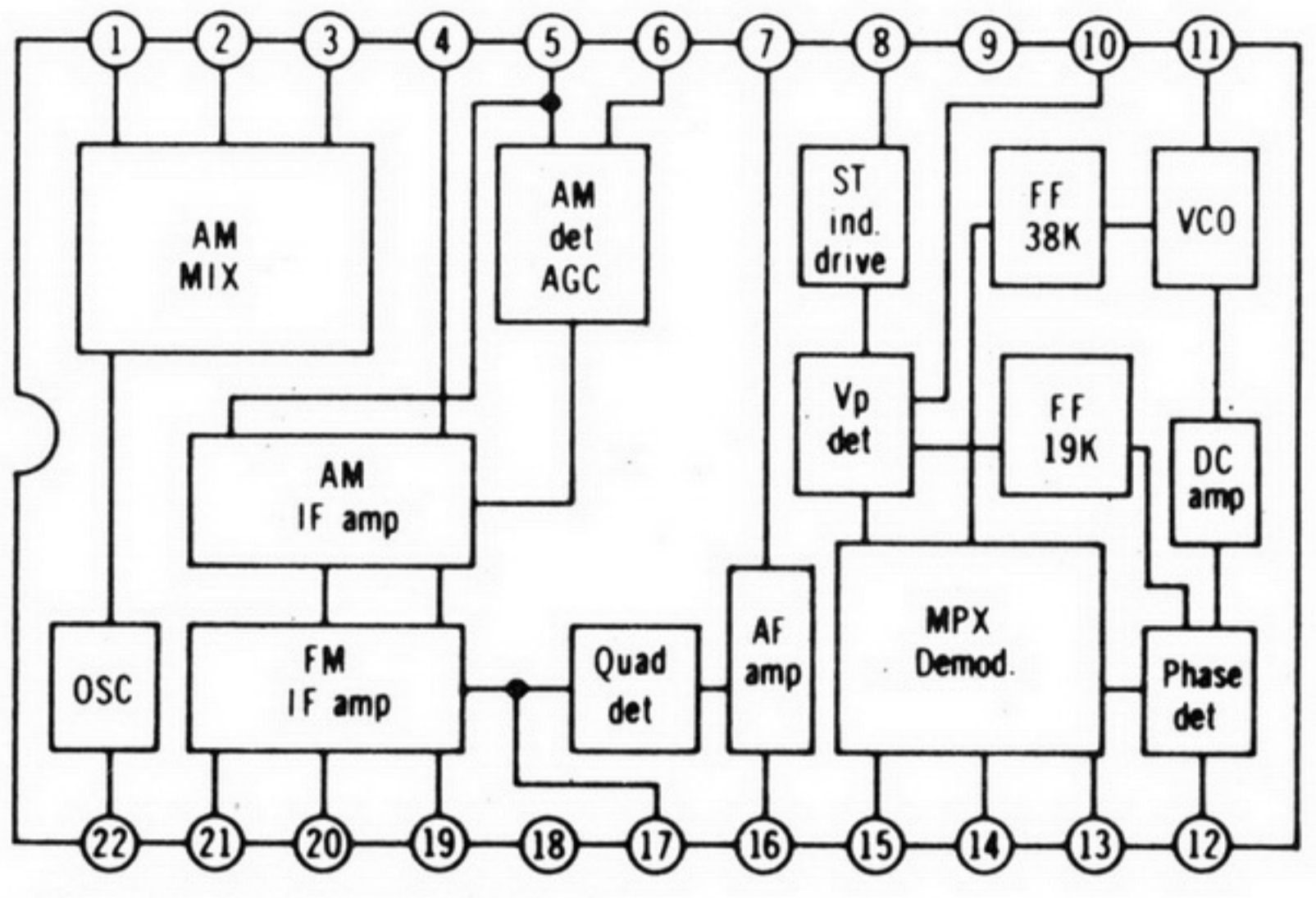
9. Battery current: Volume minimum output (radio)15mA
Volume minimum output (tape).....120mA
Volume Maximum output (radio)24mA
Volume Maximum output (tape) 157mA
(Radio, 74dB 30% Modulation)
(Tape, 315 Hz 0dB tape playback)



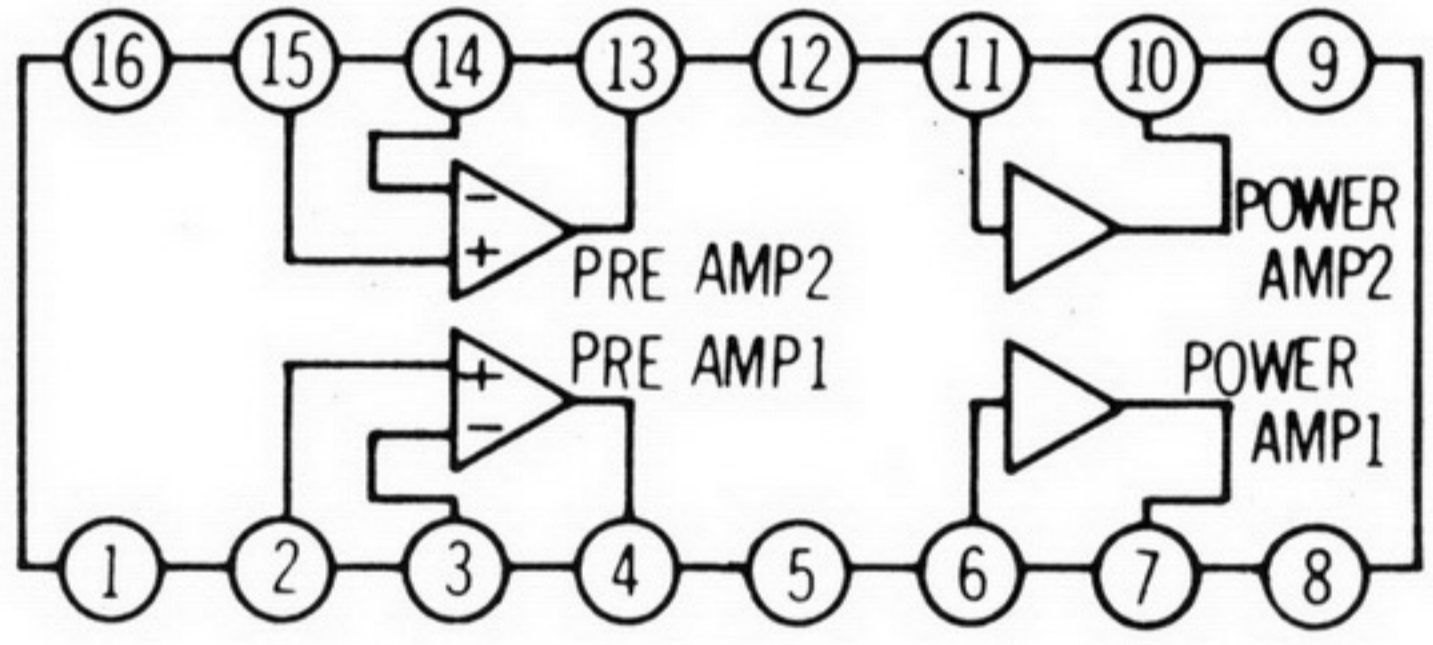
IC1 TA7358F



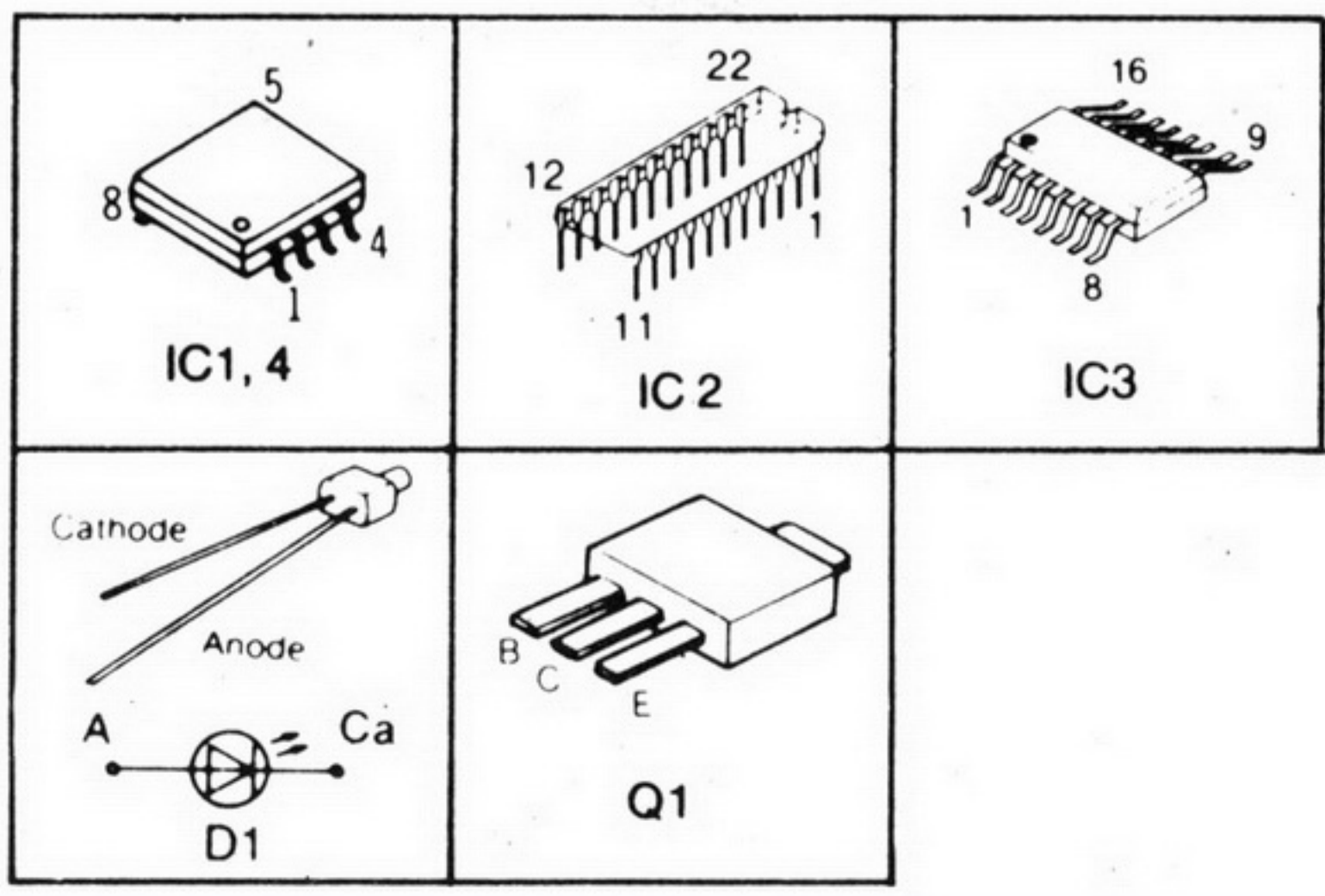
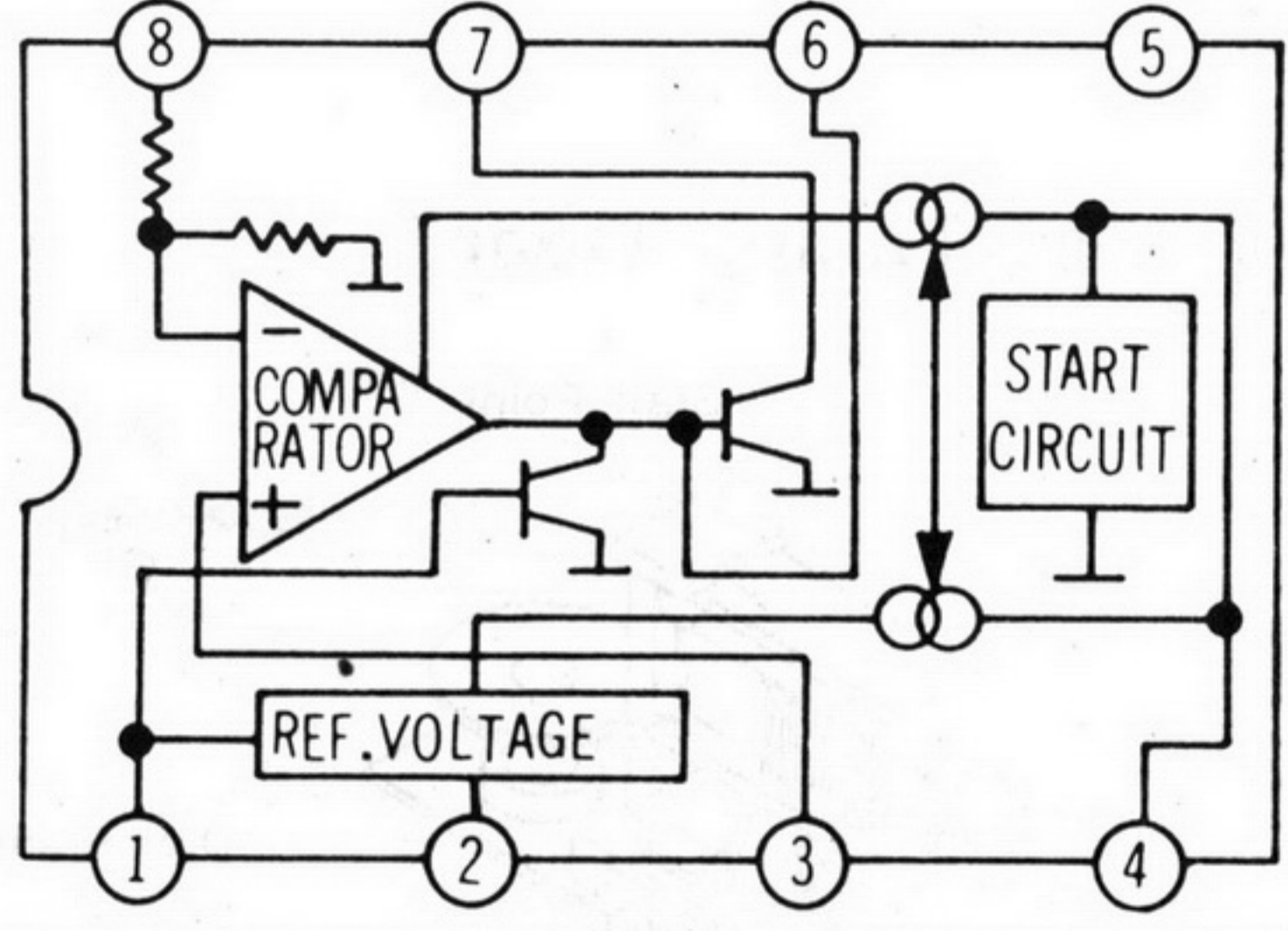
IC2 AN7025K



IC3 LA4570MT



IC4 AN6612ST



- 10. +B Voltage Line.
- Playback Signal.
- FM Signal.
- Playback and Radio Signal.
- 11. Printed Resistor.

mA
20mA
24mA
57mA