

# Service Manual

Mini Cassette

**RQ-WJ1**  
**RQ-KJ1**  
**RQ-SJ1**

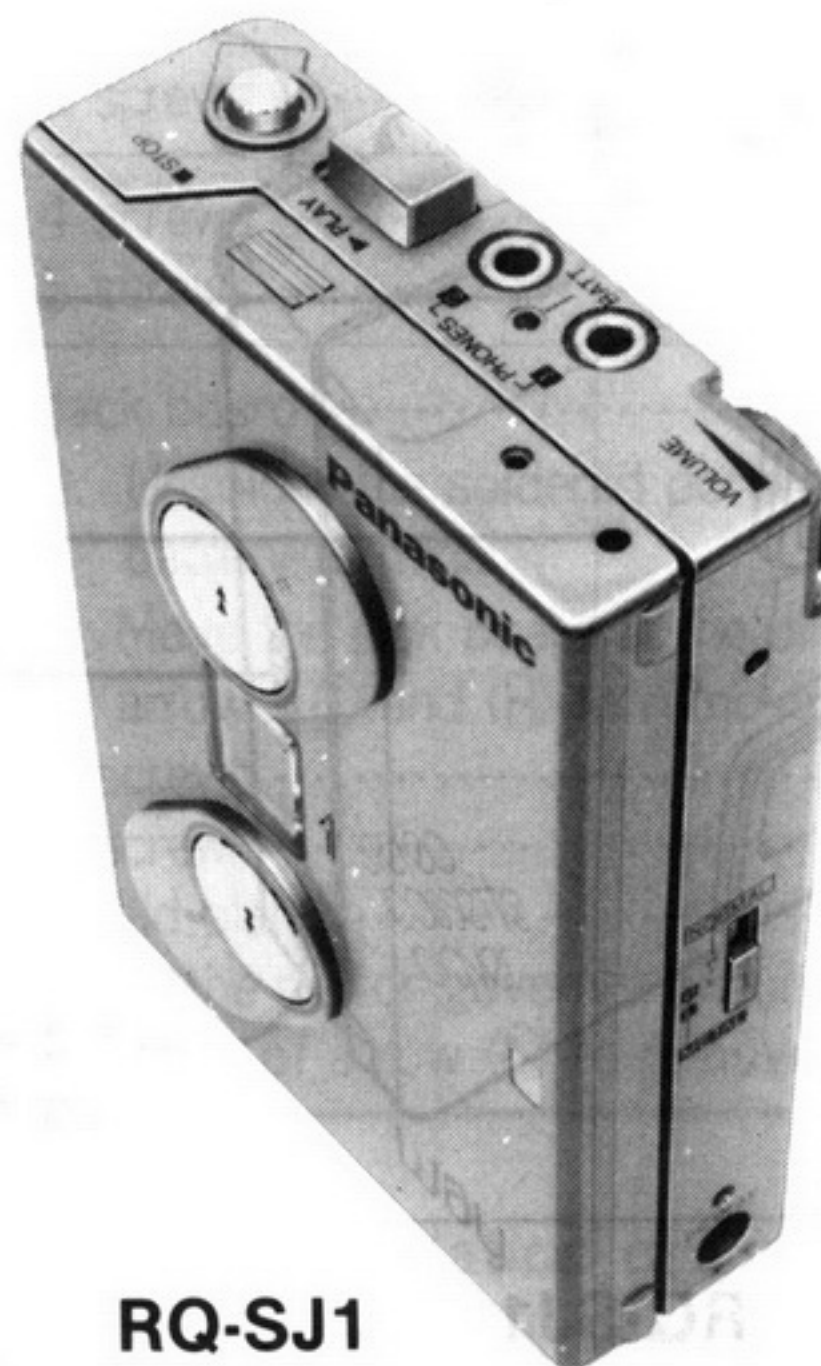
World's Smallest AC/Battery Stereo Cassette  
Player with Stereo Headphones



RQ-WJ1



RQ-KJ1



RQ-SJ1

This is the Service Manual for the following areas.

- ..... For all European areas except United Kingdom.
- ..... For United Kingdom.
- ..... For Asia, Latin America, Middle East and Africa areas.
- ..... For Australia.

## RQ-WJ1 MECHANISM SERIES

### Specifications

Power requirements:

... AC; with optional Panasonic AC adaptor RP-31  
Battery; 3V (two R6 size)

Battery adaptor; 3V (two R20 size batteries)  
with optional battery adaptor RP-6120

..... AC; with optional AC adaptor RP-34

... Battery; 3V [two UM-3 (R6) size batteries]  
Battery adaptor; 3V [two UM-1 (R20) size  
batteries with included battery adaptor]

Motor: Electrical governor motor

Frequency response: Normal tape; 30 — 14,000Hz

Metal tape; 30 — 15,000Hz

Tape speed: 4.8cm/s

Track system: 4-track 2-channel stereo playback with included  
stereo headphones

Fast forward and

rewind time: Approx. 120 seconds with C-60 cassette tape

Jacks: DC-in; 3V

Headphones × 2; output level 630mV  
(16Ω, one headphones in use)

Head: 1 super permalloy head for stereo playback  
(Hyperbolic type)

Dimensions 75.0mm(W) × 108.0mm(H) × 28.0mm(D)

Weight: 223g, without batteries

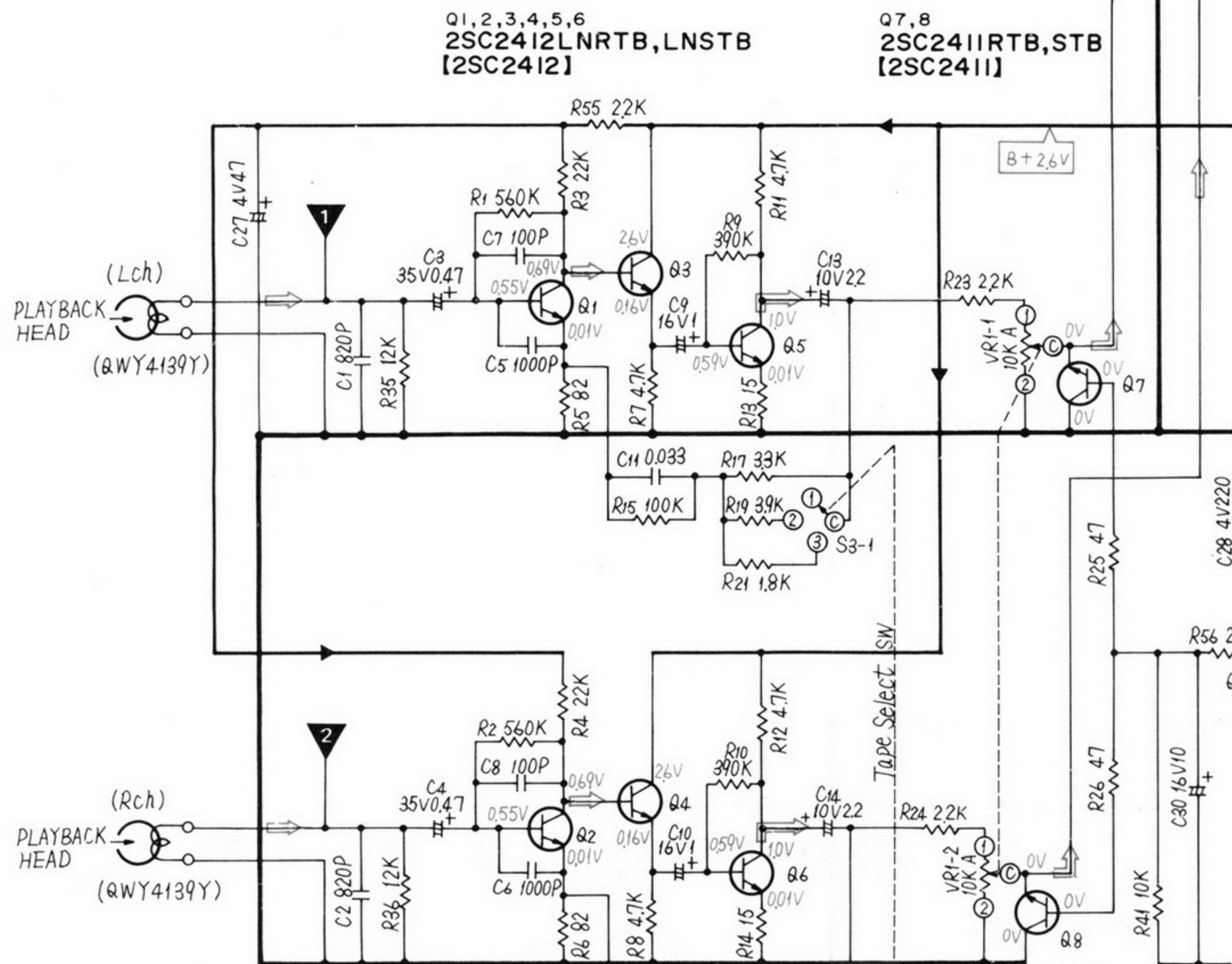
Specifications are subject to change without notice.

**National / Panasonic**

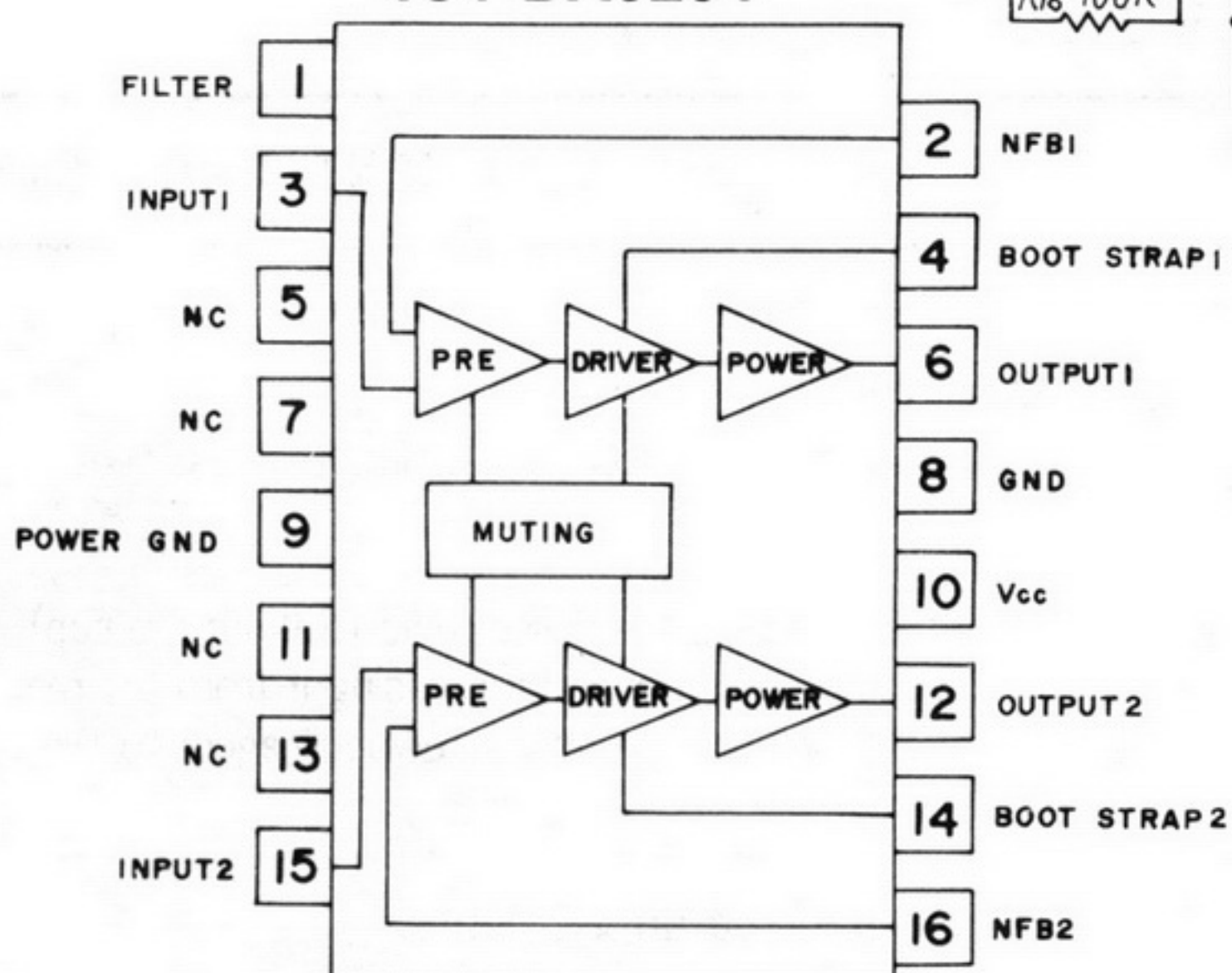
**Matsushita Electric Trading Co., Ltd.**  
P.O. Box 288, Central Osaka Japan



# SCHEMATIC DIAGRAM



## EQUIVALENT CIRCUIT IC1 BA5204



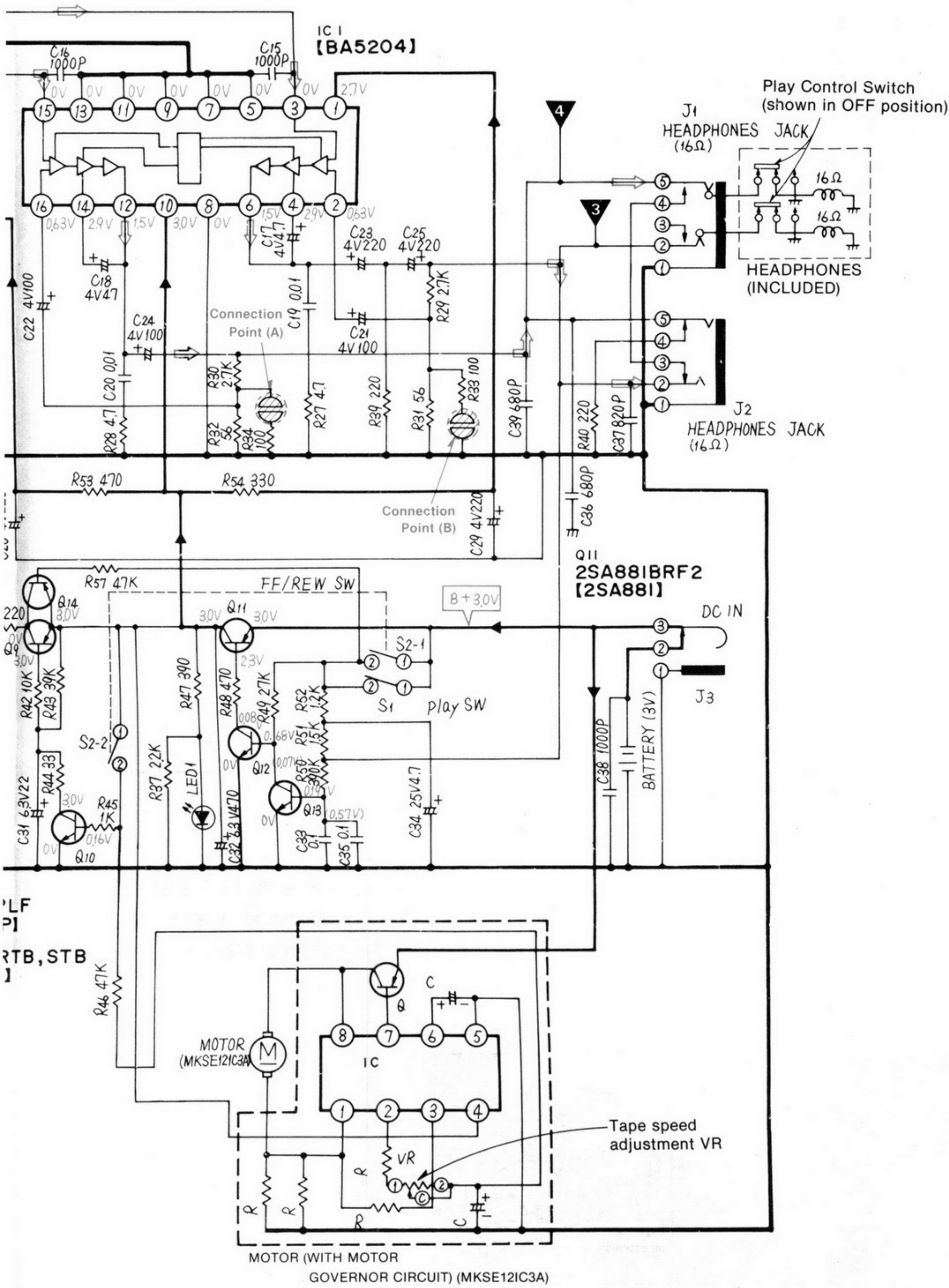
### NOTES:

- S1.....Playback ON/OFF switch (shown in OFF position).
- S2-1, S2-2.....FF/REW ON/OFF switch (shown in OFF position).
- S3-1, S3-2.....Tape select switch [shown in normal (High) position].  
 ①...Normal (High), ②...Normal (Low), Metal (High),  
 ③...Metal (Low).
- VR1-1, 1-2.....Volume controls.
- Connection points (A) and (B)...For output balance adjustment.
- The mark (▼) shows test point. e.g. ▼ = Test point 1.
- TP1, 2 .....Measuring points for input level (P.B EQ AMP).
- TP3, 4 .....Measuring points for output level (Power AMP).
- Resistance are in ohms (Ω), 1/8 watt unless specified otherwise.  
 1K = 1,000(Ω), 1M = 1,000K(Ω).
- Capacity are in microfarads (μF) unless specified otherwise.  
 P = Pico-farads.

- All voltage values shown in circuitry are playback mode with volume control at m. For measurement, use VTVM.
- ( )...Voltage at play control switch on
- ( ) this arrow indicates the flow of t
- Described in schematic diagram are two parts number and production parts numb. One type number is used for supply parts number which they are identical.  
 e.g. Q1  
 { 2SC2412NRTB, LNSTB ← Proc  
 { 2SC2412 ← Sup
- The supply parts number is described alc

• This schematic diagram may b with the development of new t





### SPECIFICATIONS

\* Volume control ... MAX.

under nosignal condition and minimum position.

1 pause mode.

the playback signal.

types of numbers; the supply

per for transistors and diodes.

s number and production parts

duction parts number

ply parts number

one in the replacement parts list.

be modified at any time

technology.

Playback frequency response	125Hz: $0 \pm 3$ dB 315Hz: 0 dB 8kHz: $0 \pm 3$ dB	
Playback gain	Greater than 0.63V	