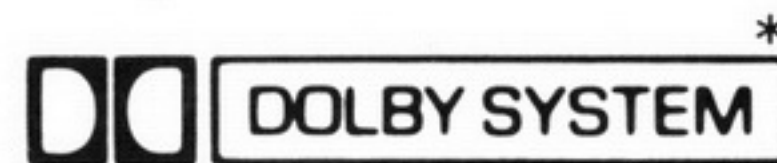


Service Manual

Mini Cassette

RQ-X10

Stereo Cassette Player



Colour

(K)... Black Type

Area

Suffix for Model No.	Area	Colour
(E)	Europe.	(K)
(EB)	Great Britain.	



MECHANISM SERIES : AR20

■ SPECIFICATIONS

Power Requirement:	Battery; with one "AA" size (R6/LR6) battery (DC: 1.5V) AC; with optional AC adaptor RP-AC11
Power Output:	5 mW + 5 mW (Max).
Input:	DC IN; 1.5V ()
Output:	Headphones; 20 Ω (φ3.5)
Dimensions:	109.7(W) × 80.9(H) × 28.6(D)mm
Weight:	160.2g (without batteries)
Frequency Response:	31.5 ~ 14,000Hz (with a normal tape) 31.5 ~ 14,000Hz (with a CrO ₂ type tape) 31.5 ~ 14,000Hz (with a Metal tape)
Tape Speed:	4.8cm/s
Track System:	4-track 2-channel stereo playback

Notes:

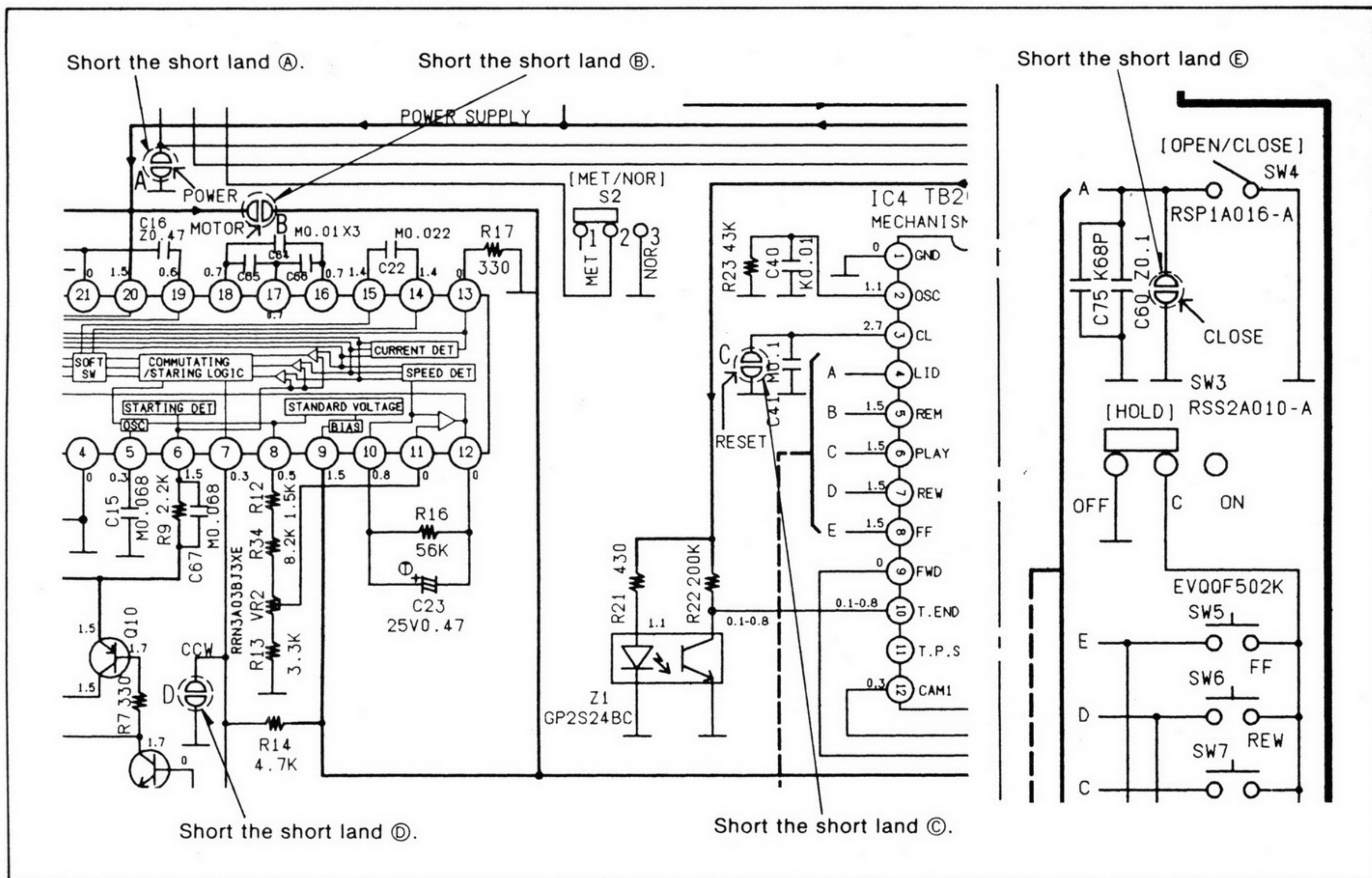
- Weights and dimensions shown are approximate.
- Design and specifications are subject to change without notice.

※ Dolby noise reduction manufactured under license from Dolby Laboratories Licensing Corporation.
"Dolby" and the double-D symbol are trade marks of Dolby Laboratories Licensing Corporation.

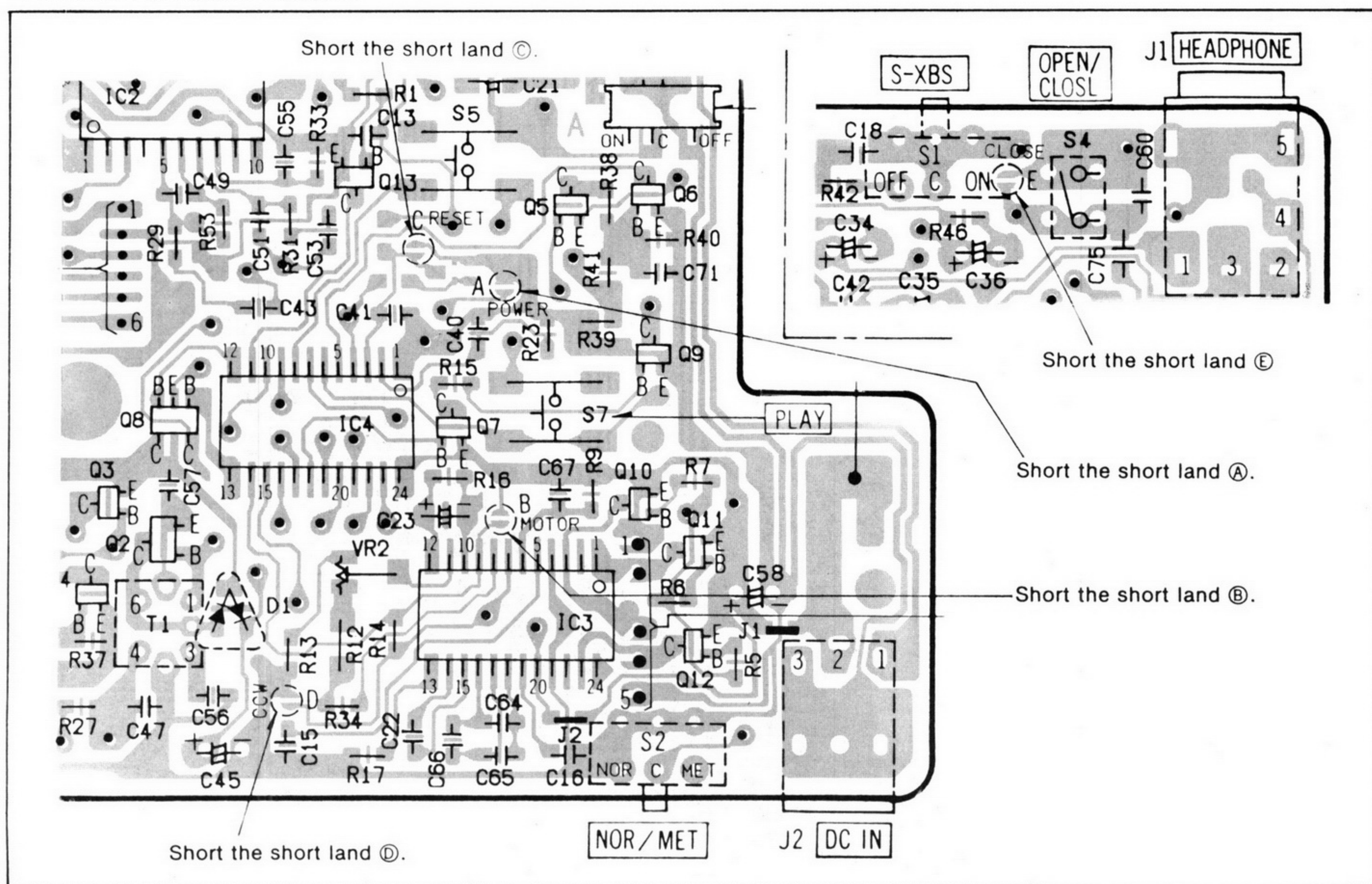
Panasonic®

• Short points

SCHEMATIC DIAGRAM



PRINTED CIRCUIT BOARD



SCHEMATIC DIAGRAM

RQ-X10 RQ-

1 2 3 4 5

A

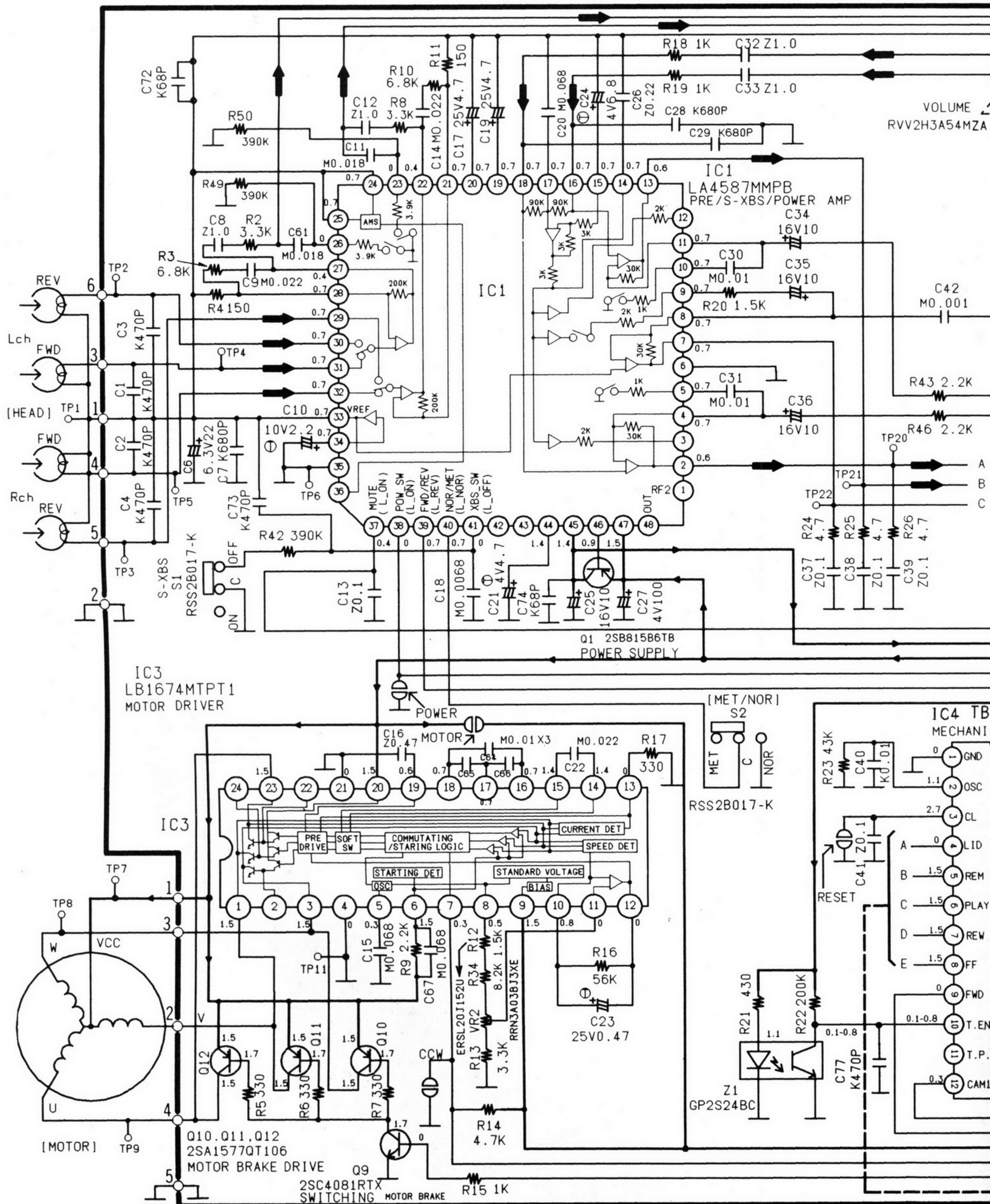
B

C

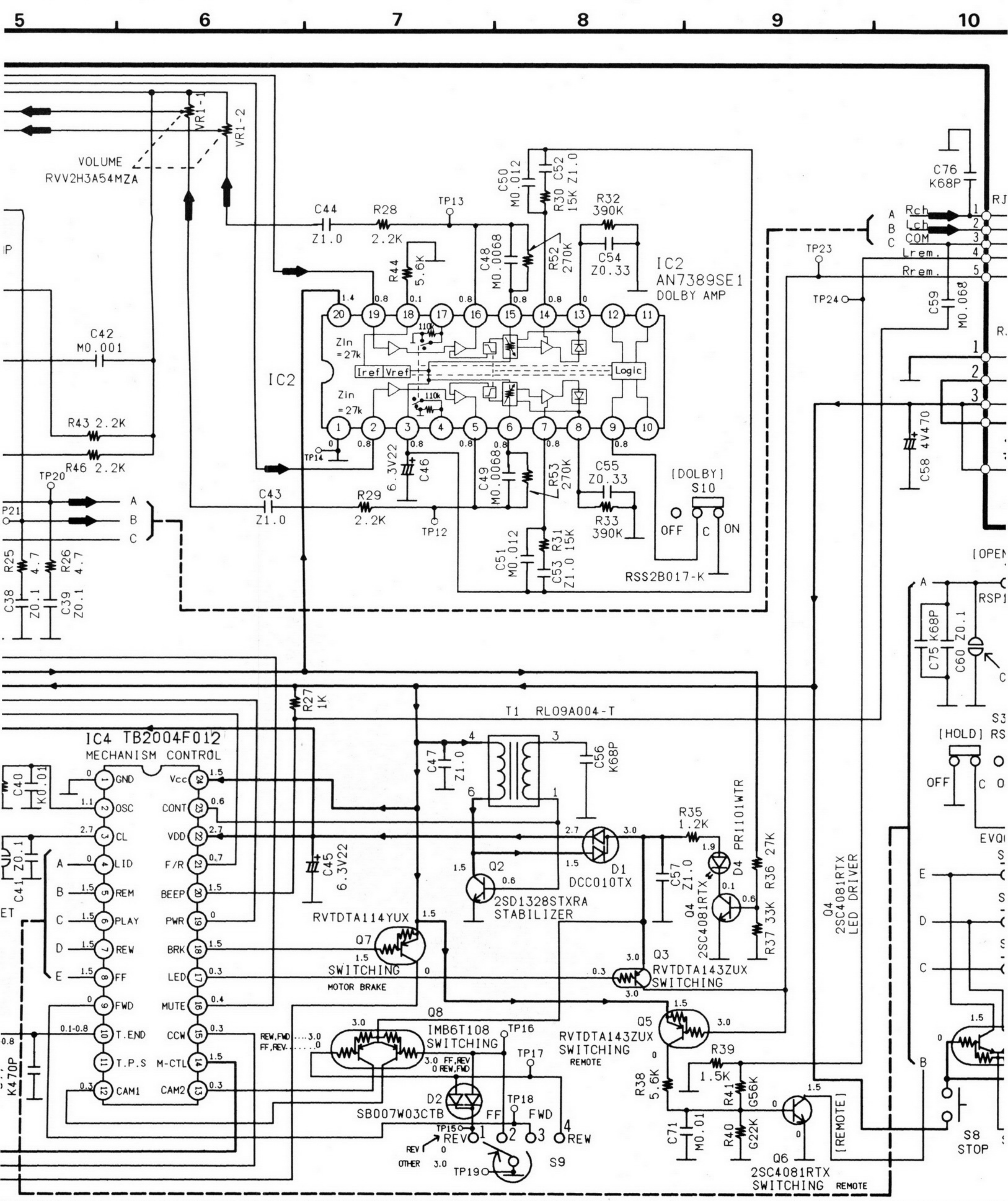
D

E

F



10 RQ-X10



Notes:

- S1 : S-XBS switch in "OFF" position.
- S2 : Metal/normal switch in "METAL" position.
- S3 : Hold switch in "OFF" position.
- S4 : Open/close switch in "OPEN" position.
- S5 : Fast forward switch in "OFF" position.
- S6 : Rewind switch in "OFF" position.
- S7 : Play switch in "OFF" position.
- S8 : Stop switch in "OFF" position.
- S9 : Rotary switch in " REV " position.
1...REV, 2...FF, 3...FWD, 4...REW.
- S10 : Dolby NR switch in "ON" position.
- VR1-1, VR1-2 : Volume control VR.
- VR2 : Tape speed adjustment VR.
- DC voltage measurements are taken with electronics voltmeter from negative terminal of battery.
No mark...Playback.
- Battery current: No signal.....190 mA (VR: MIN)
Maximum output.....210 mA (VR: MAX)
- This schematic diagram may be modified at any time with the development of new technology.

➔ : PLAYBACK SIGNAL
 ➔ : ⊕ B LINE

REPLACEMENT PARTS LIST

Notes:(T)Indicates parts that are supplied by TAMACO.

Ref No.	Part No.	Part Name & Description	Per Set	Remarks (T):TAMACO
INTEGRATED CIRCUITS, TRANSISTORS AND DIODES				
IC1	LA4587M	I.C.PRE/S-XBS/POWER AMP	1	(T)
IC2	AN7389SE1	I.C.DOLBY	1	(T)
IC3	LB1674MTPT1	I.C.MOTOR DRIVE	1	(T)
IC4	TB2004F012	I.C.MECH.CONTROL	1	(T)
Q1	2SB815B6TB	Transistor	1	(T)
Q2	2SD1328STXRA	Transistor	1	(T)
Q3,5	RVTDTA143ZUX	Transistor	2	(T)
Q4,6,9	2SC4081RTX	Transistor	4	(T)
Q7	RVTDTA114YUX	Transistor	1	(T)
Q8	1MB6T108	Transistor	1	(T)
Q10,11,12	2SA1577QT106	Transistor	3	(T)
Q14	FMG8TX	Transistor	1	(T)
D1	DCC010TX	Diode	1	(T)
D2	SB007W03CTB	Shottky Diode	1	(T)
D4	PR1101WTR	Chip L.E.D	1	(T)
TRANSFORMERS				
T1	RL09A004-T	Transformer	1	(T)
VARIABLE RESISTOR				
VR1	RVV2H3A54MZA	V.R.Volume	1	(T)
VR2	RRN3A03BJ3XE	V.R.Tape Speed	1	(T)
PHOTO COUPLER				
Z1	GP2S24BC	Photo Coupler	1	(T)
SWITCHES				
S1	RSS2B017-K	SW,S-XBS	1	(T)
S2	RSS2B017-K	SW,Tape(Met/Nor)	1	(T)
S3	RSS2A010-A	SW,Hold	1	(T)
S4	RSP1A016-A	SW,(Open/Close)	1	(T)
S5	EVQQF502K	SW,FF	1	(T)
S6	EVQQF502K	SW,Rew	1	(T)
S7	EVQQF502K	SW,Play	1	(T)
S8	EVQQF502K	SW,Stop	1	(T)
S9	RSR5D001-A	SW,Rotary	1	(T)
S10	RSS2B017-K	SW,Dolby	1	(T)
JACKS				
JK1	RJJD5S3MZA-C	Jack, Headphones	1	
JK2	RJJ43H01-C	Jack, DC IN	1	