

Service Manual

Radio Cassette

FM/AM Radio Cassette Recorder

RX-1230S



■ SPECIFICATION

Power Requirement: AC 220V 50/60Hz or Battery, 6V
(Four "D" Size dry Batteries.)
(National UM-1 or Equivalent)

Power Consumption: 6W

Power Output: 1W (RMS Max)

Frequency Range: 90~6,000Hz

Recording System: DC Bias, Magnet Erase

Tape Speed: 4.8cm/s (1 $\frac{7}{8}$ ips.)

Track System: 2-Track 1-Channel Monaural
Playback and Recording

Input: Mic: Sensitivity 0.25mV/Applicable
Microphone Impedance 200~600 Ω

Speaker: 3 $\frac{1}{2}$ " (9cm) 3.2 Ω PM Dynamic Speaker

Radio Frequency Range: FM: 87.5~108MHz
AM: 520~1610KHz(577~186m)

Intermediate Frequency: FM 10.7MHz
AM 455KHz

Sensitivity: FM: 3 μ V For 50mW Output
AM: 80 μ V/m For 50mW Output

Dimensions: 11 $\frac{1}{2}$ " (W) \times 7 $\frac{1}{2}$ " (H) \times 3 $\frac{1}{8}$ " (D)
(292 \times 191.5 \times 96) mm

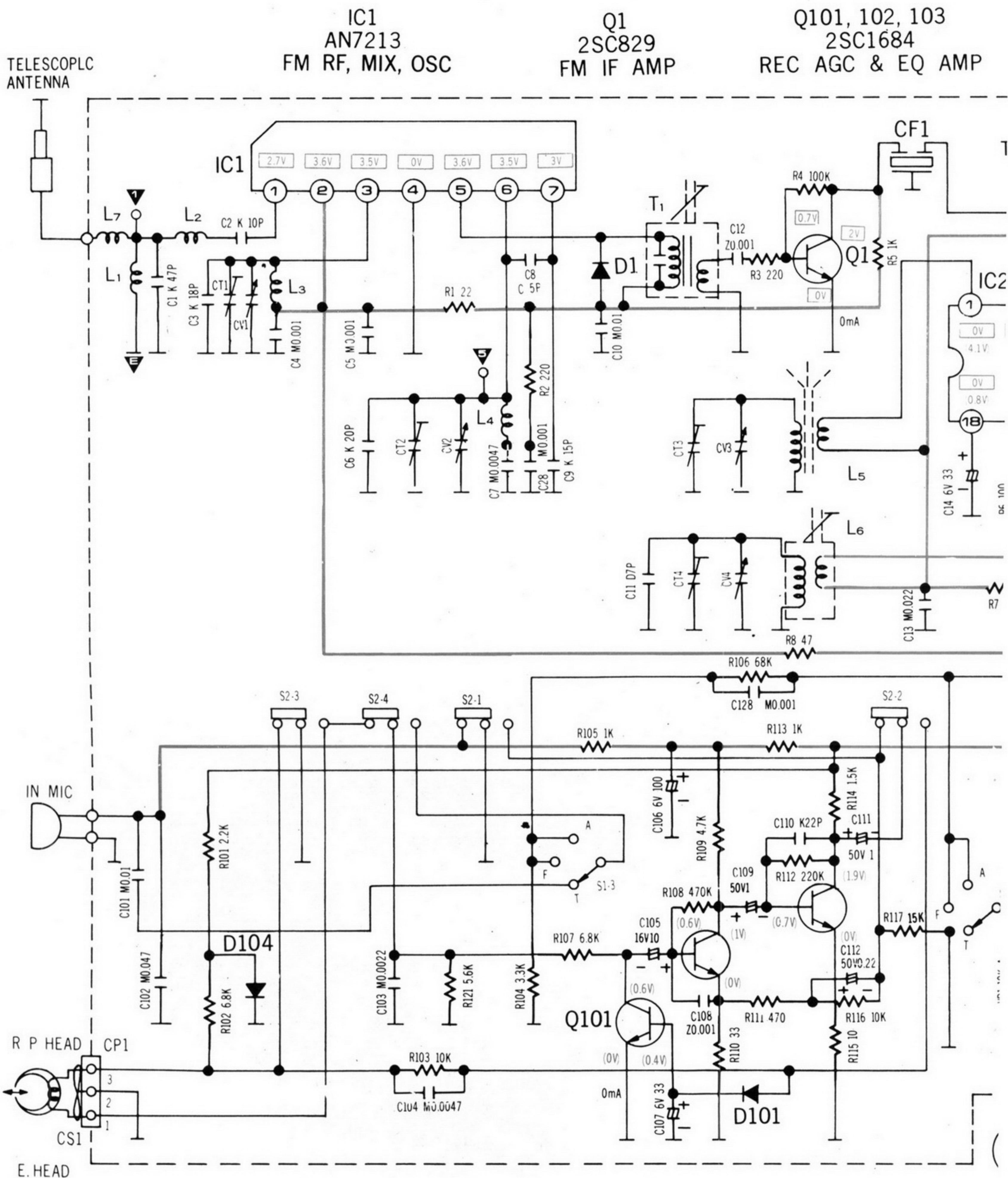
Weight: 1.8kg(3 lb 15.5oz) Without Battery

Specifications are subject to change without notice.

Panasonic

Matsushita Electric Trading Co., Ltd.
P.O.Box 288, Central Osaka, Japan

SCHEMATIC DIAGRAM MODE



	IC1
	IC2
	IC101
	Q1, 101, 102, 103
	D1, 101
	D102, 103
	D104

Note:

- S1-1~S1-4: Function switch in "Tape" position. (Tape/Radio)
- S2-1~S2-4: Playback/Record selector switch in "Playback" position. (Playback/Radio)
- S3: AC/Battery switch in "Battery" position.
- S4: Monitor ON/OFF switch in "ON" position.
- VR1: Volume control.
- DC voltage measurements are taken with electronic from negative terminal of battery. □.....FM, (< >).....REC.
- Battery current No signal..... Maximum output (Radio)..... Maximum output (Tape).....
- Important safety notice: Components identified by ⚠ mark have special characteristics important for safety. When replacing any of these components, use only specified parts.

