

Service Manual

Radio Cassette

RX-1450S

FM/MW Radio Cassette Recorder



RX-1450LS MECHANISM SERIES

Specifications

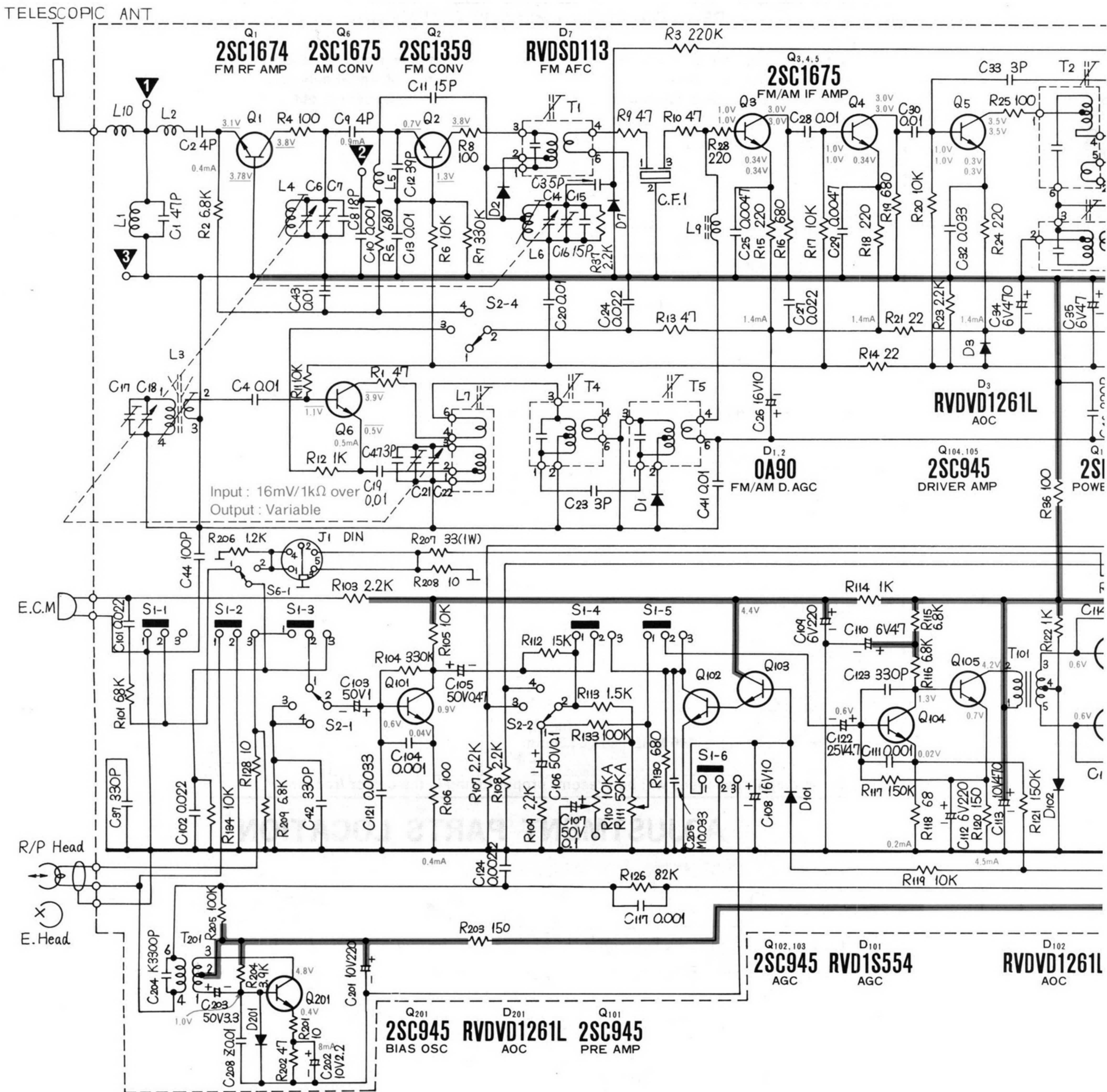
Power Requirement:	AC; 220V, 50/60 Hz Power consumption; 7W Battery; 6 V (four UM-1, R20 size dry batteries)	Speaker:	10 cm (4") PM Dynamic speaker (8 Ω)
Power Output:	2.0 W.....RMS (max)	Radio Frequency Range:	FM; 87.5~108 MHz MW; 520~1610 kHz (577~186m)
Frequency Range:	100~8,000 Hz	Intermediate Frequency:	FM; 10.7 MHz AM (MW); 455 kHz
Recording System:	AC bias, MAGNET erase	Sensitivity;	FM; 3.3 μ V/50 mW output MW; 140 μ V/m/50 mW output
Tape Speed:	4.8 cm/s, (1 $\frac{7}{8}$ ips)	Dimensions:	32.1 cm (W) x 21.5 cm(H) x 11.1 cm (D) [12 $\frac{5}{8}$ "(W) x 8 $\frac{1}{2}$ "(H) x 4 $\frac{3}{8}$ "(D)]
Program Time:	1 hour with C-60 cassette tape	Weight:	2.6 kg (5lbs. 12 oz) without batteries
Track System:	2-track 1-channel monaural recording and playback		
REC/PB Connection:	5P DIN type: sensitivity IN; 16 mV (1 k Ω over) OUT; variable		
Output:	EXT SP; 8 Ω		

Specifications are subject to change without notice.

 **Panasonic**

Matsushita Electric Trading Co., Ltd.
P.O. Box 288, Central Osaka, Japan

SCHEMATIC DIAGRAM MODE

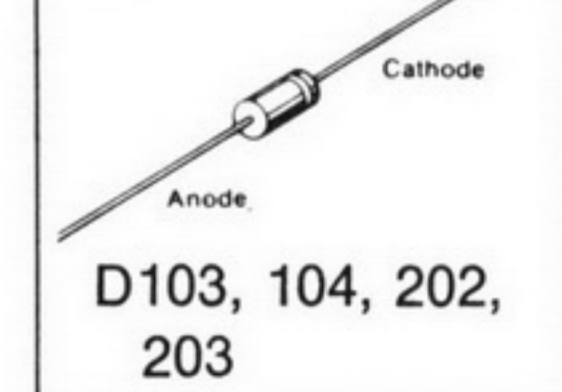
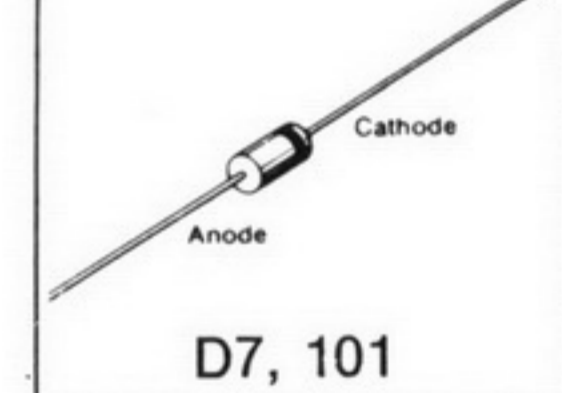
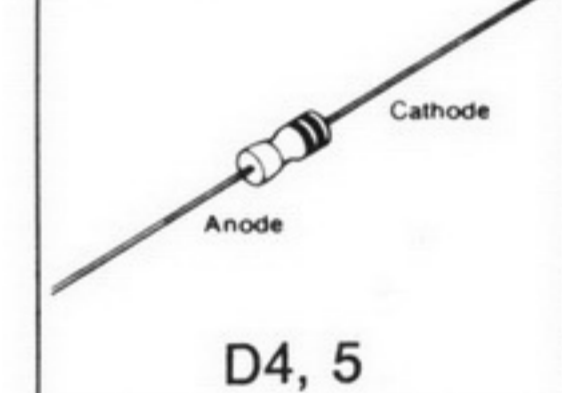
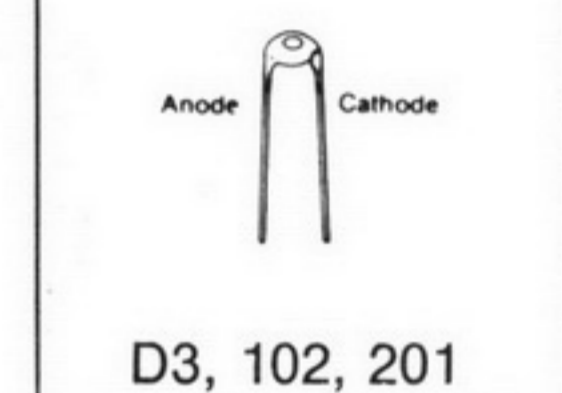
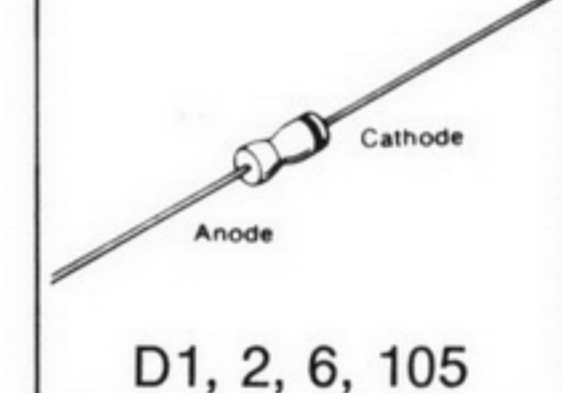
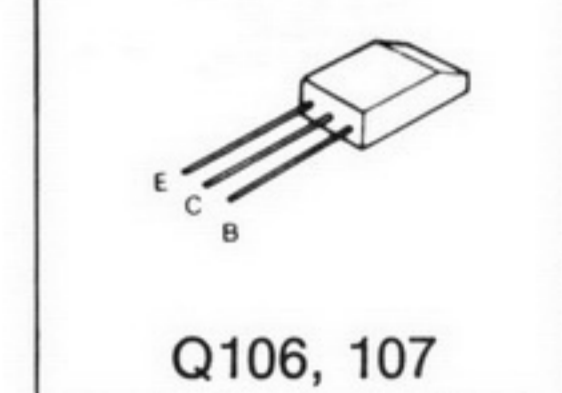
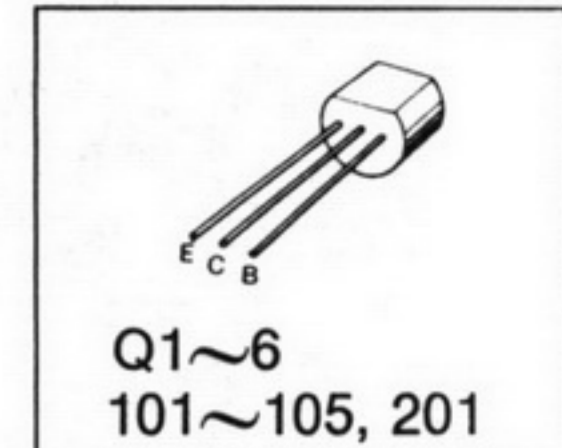
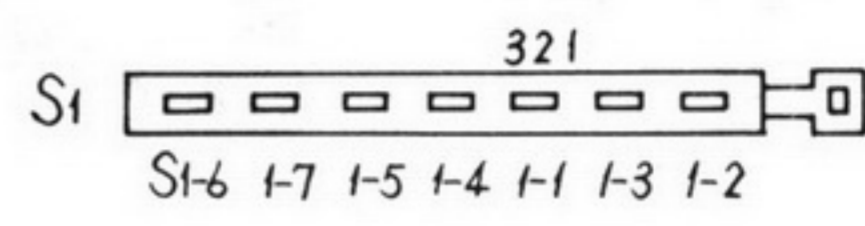
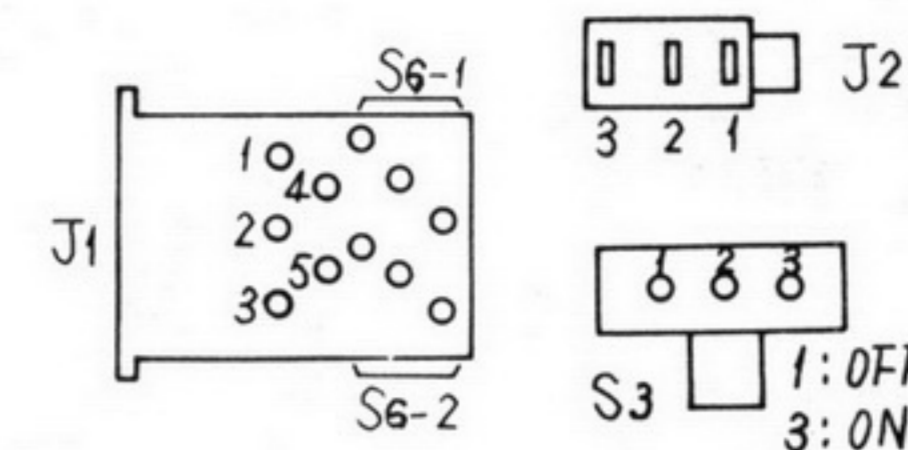
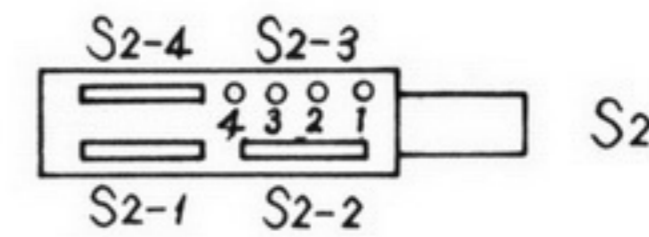
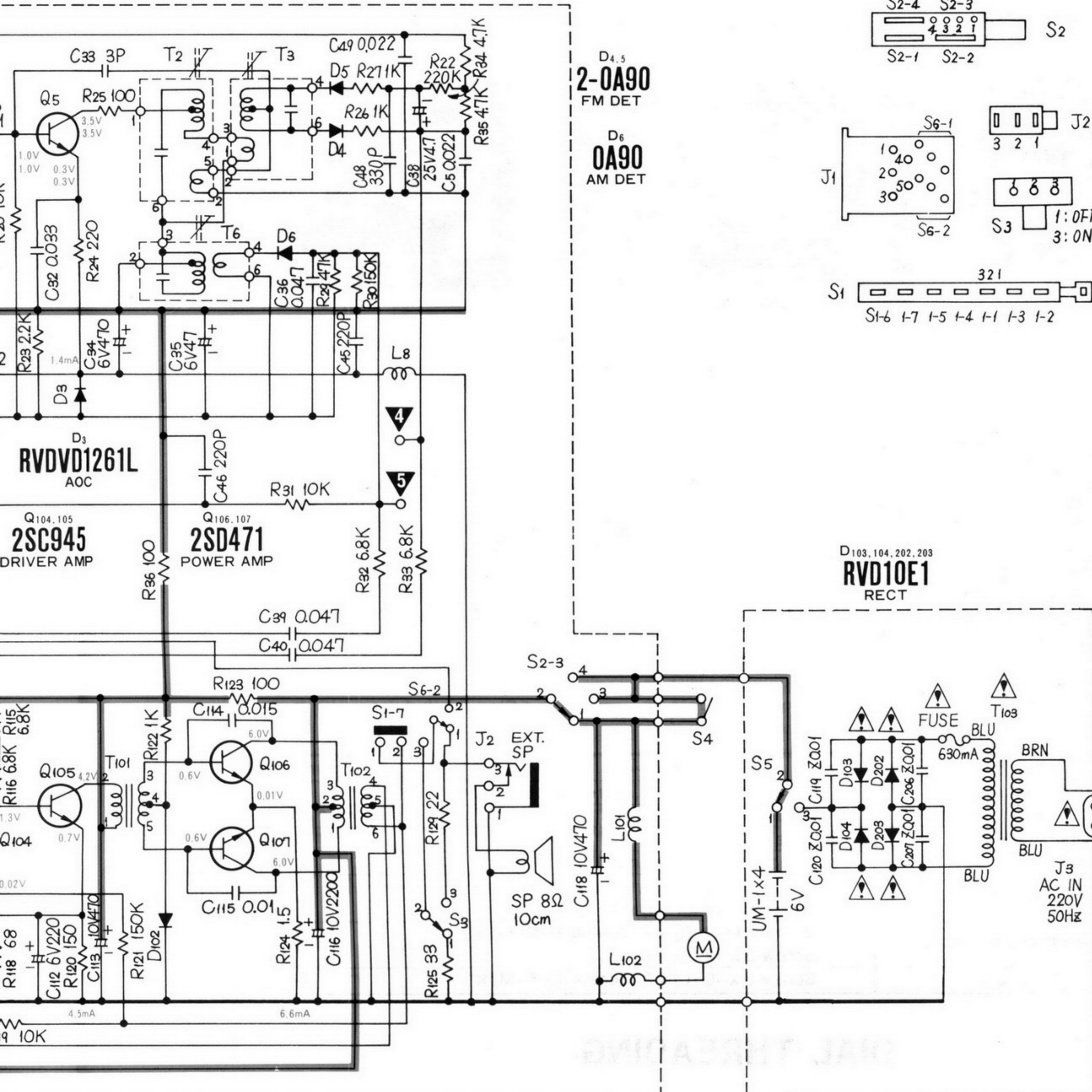


Notes:

1. S₁₋₁~S₁₋₇Record/playback switch (shown in playback position).
2. S₂₋₁~S₂₋₄TAPE/MW/FM selector (shown in tape position).
1...TAPE, 3...MW, 4...FM
3. S₃ Monitor ON/OFF switch (shown in OFF position).
4. S₄ Motor ON/OFF switch (shown in OFF position).
5. S₅AC/DC select switch (shown in DC position)

6. S₆₋₁~S₆₋₂DIN ON/OFF switch (shown in OFF position).
7. R₁₁₀Tone control.
8. R₁₁₁Volume control.
9. The mark(▼) shows test point. e.g. ▼=Test point
10. All voltage values shown in circuitry are under signal condition with volume control at maximum position. For measurement, use electronics voltmeter. The upper values should be measured during FM the lower values during MW (Radio circuit). The voltage indication of Q₂₀₁ are measured during recording (Audio Circuit).

GRAM MODEL -RX-1450S



Output : DC 3.1V or more
 Overall frequency response:
 1kHz : 0dB
 150Hz : 0~-10dB
 5kHz : +3~-12dB

OFF switch (shown in OFF
 control.
 control.
 t point. e.g. ▼ = Test point 1.
 wn in circuitry are under no
 plume control at maximum
 ent, use electronics voltmeter.
 d be measured during FM and
 MW (Radio circuit).
 Q201 are measured during

11. Battery current: No signal135 mA
 (Record mode and monitor switch to OFF position.)
12. ▲ indicates that only parts specified by the manufacture
 be used for safety.