

Service Manual

Radio Cassette
RX-5120LS

FM/LW/MW/SW Stereo Radio Cassette



RX-1750LS MECHANISM SERIES

■ SPECIFICATIONS

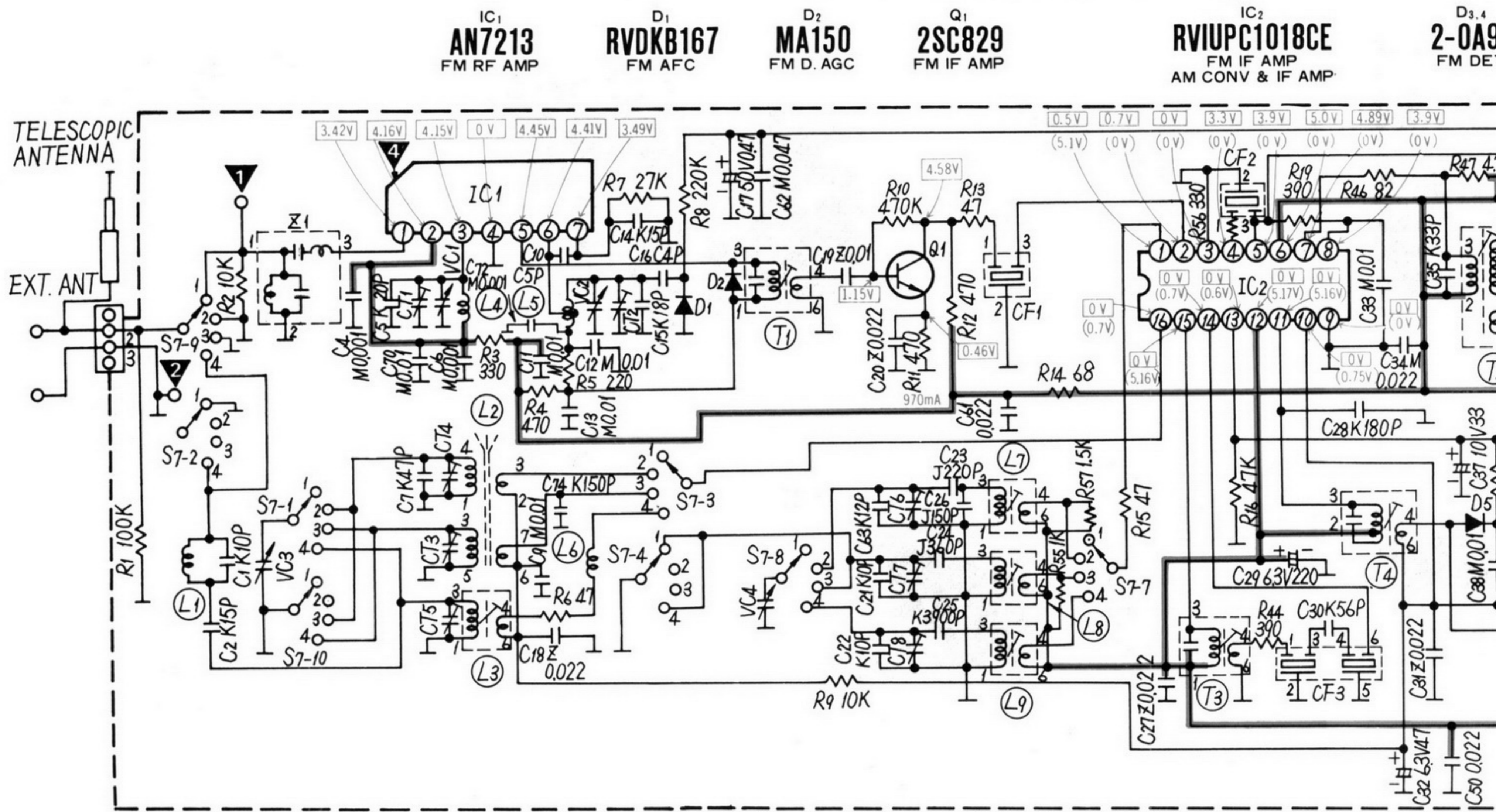
Power Requirement:	AC; 100~110/115~127/200~220/ 230~250V, 50/60Hz Power consumption; 27W Battery, 12V (eight-UM-1, D size dry batteries) Car/boat battery; with optional car/ boat adaptor RP-952)	Output:	EXT SP; 3~8Ω HEADPHONES; 8Ω
Power Output:	10W (5W×2).....(DC max.)	REC/PB Connection:	5P DIN type IN; 0.32mV (2.7kΩ over) OUT; 0.36V (4.7kΩ under)
Frequency Range:	70~11,000Hz (with normal tape) 70~13,000Hz (with CrO ₂ tape) 70~13,000Hz (with FeCr tape)	Speaker:	Woofers; 12cm (4 ²³ / ₃₂ ") PM Dynamic speaker (3Ω) Tweeter; 3cm (1 ⁷ / ₃₂ ") PM Dynamic speaker (200Ω)
Recording System:	AC bias, MAGNET erase	Radio Frequency Range:	FM; 87.5~108MHz LW; 145~285kHz (2060~1060m) MW; 520~1610MHz (577~186m) SW; 5.9~18MHz (50.8~16.7m)
Tape Speed:	4.8cm/s, (1 ⁷ / ₈ ips)	Intermediate Frequency:	FM; 10.7MHz AM; (LW/MW/SW); 455kHz
Wow and Flutter:	0.35% (RMS)	Sensitivity:	FM; 5μV/50mW output LW; 160μV/m/50mW output MW; 75μV/m/50mW output SW; 6μV/50mW output
Program Time:	1 hour with C-60 cassette tape	Dimensions:	467mm(W)×261mm(H)×148mm(D) [18 ³ / ₈ "(W)×10 ¹ / ₄ "(H)×5 ¹ / ₂ "(D)]
Track System:	4-track stereo recording and playback	Weight:	5.2kg (11 lb. 7 oz.) without batteries
Input:	MIC; sensitivity 0.32mV/applicable microphone impedance 200~600Ω (recommended microphone RP-8135) DC IN; 13.2V		

Specifications are subject to change without notice.

 **Panasonic**

Matsushita Electric Trading Co., Ltd.
P.O. Box 288, Central Osaka Japan

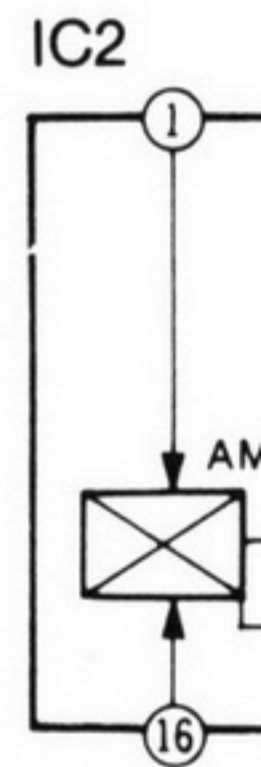
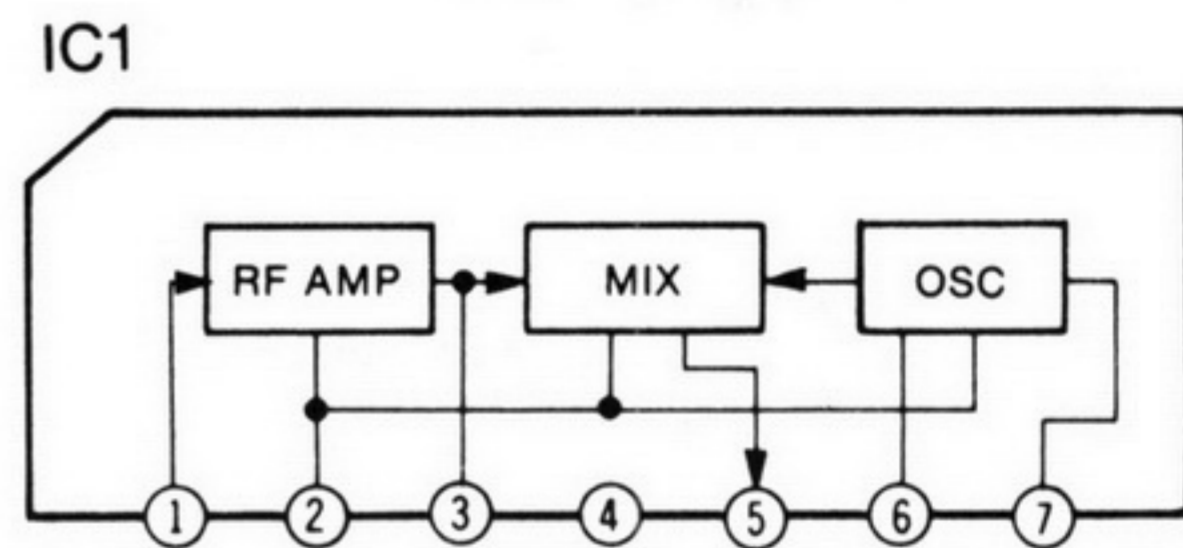
SCHEMATIC DIAGRAM (RADIO CIRCUIT)



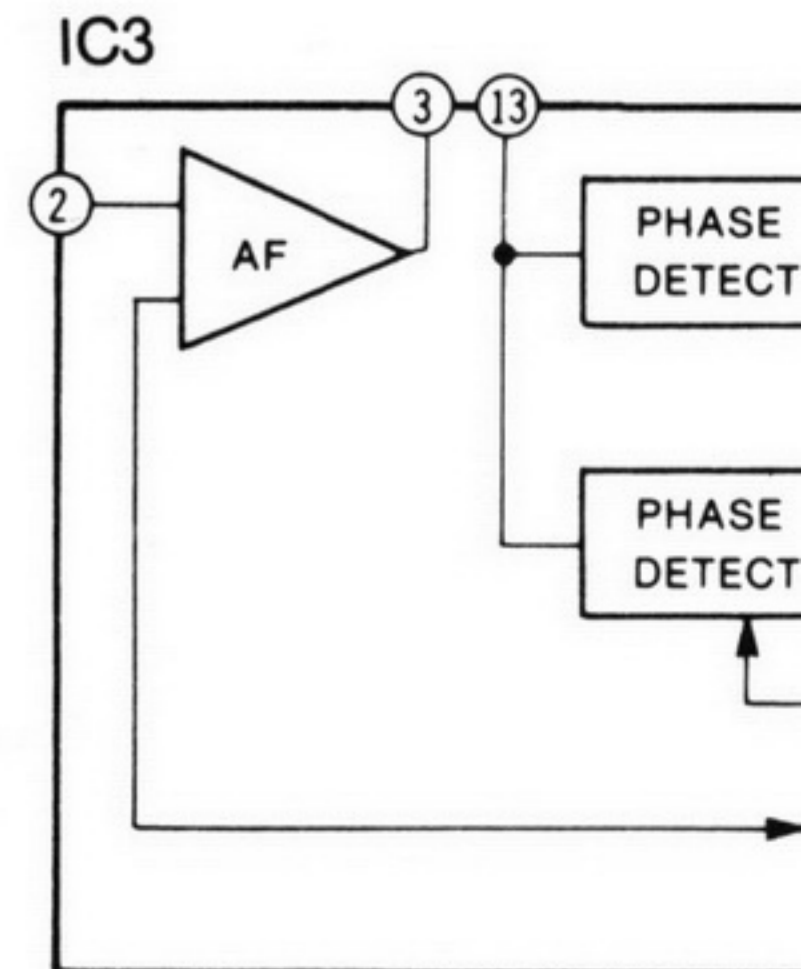
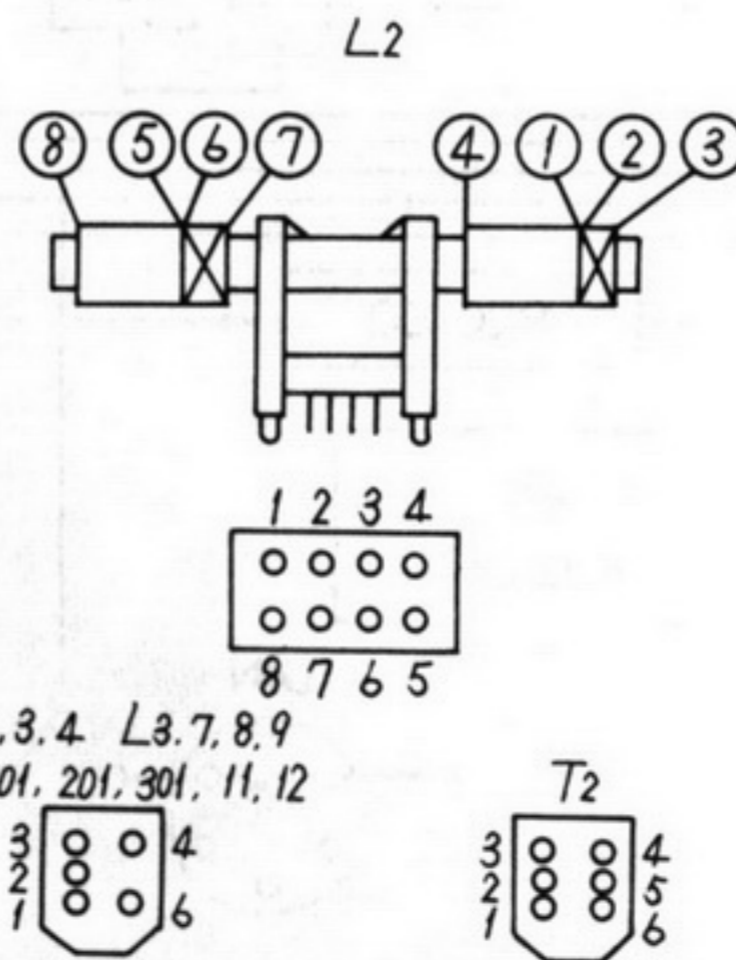
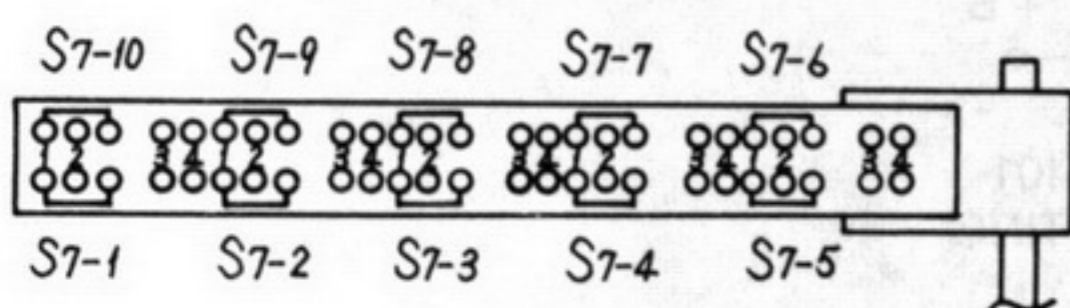
Notes:

- S7-1~S7-10: Band selector switch in "FM" position.
(1...FM, 2...LW, 5...MW, 6...SW)
- S107: FM mode switch (shown in stereo position).
1...STEREO, 2...MONAURAL
- DC voltage measurements are taken with electronics voltmeter from negative terminal of battery.
□...FM Position, ()...AM Position
- Battery current: No signal 120mA
Maximum output (Radio) 1.1A
- VR1.....VCO Oscillator Frequency Adjust.
- The mark (▼) shows test point. e.g. ▼ = test point 1.

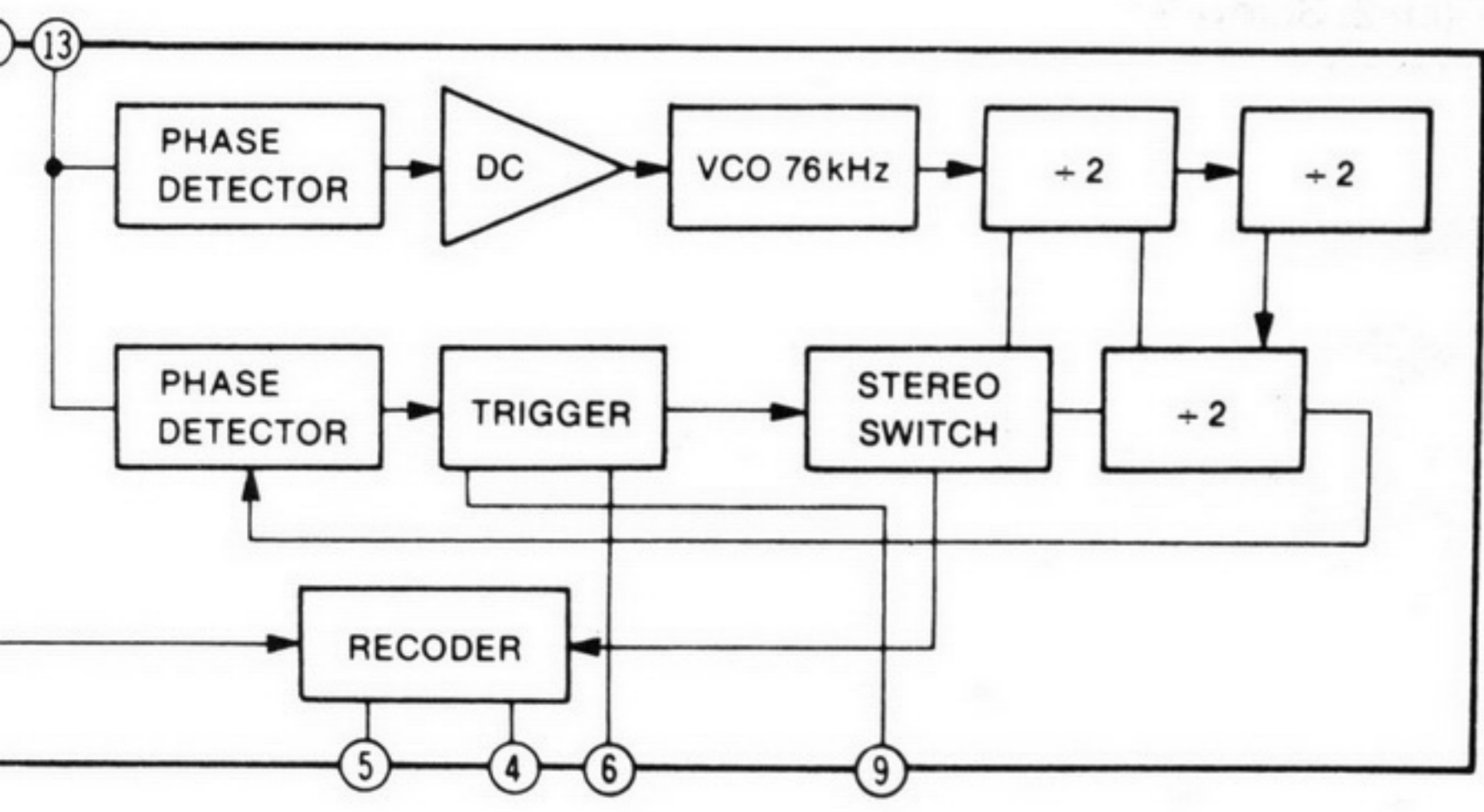
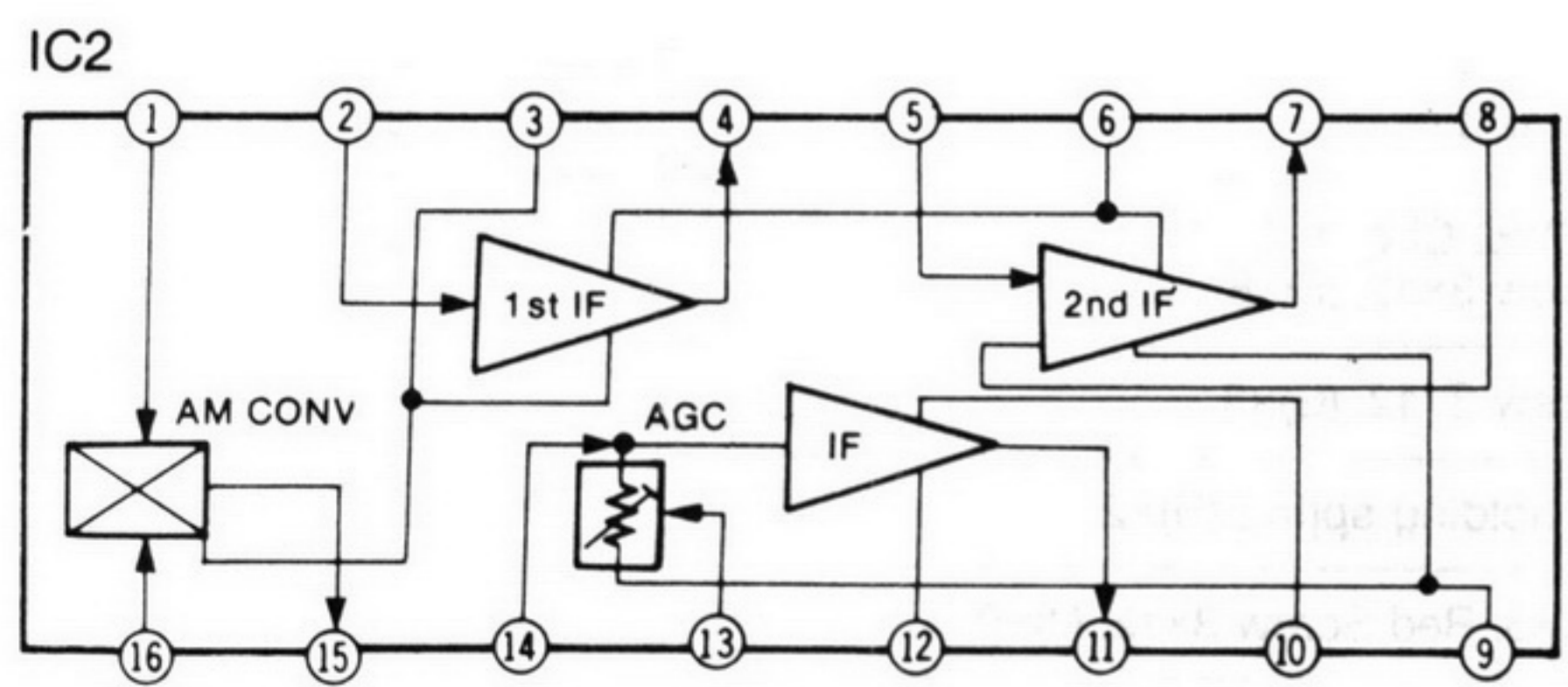
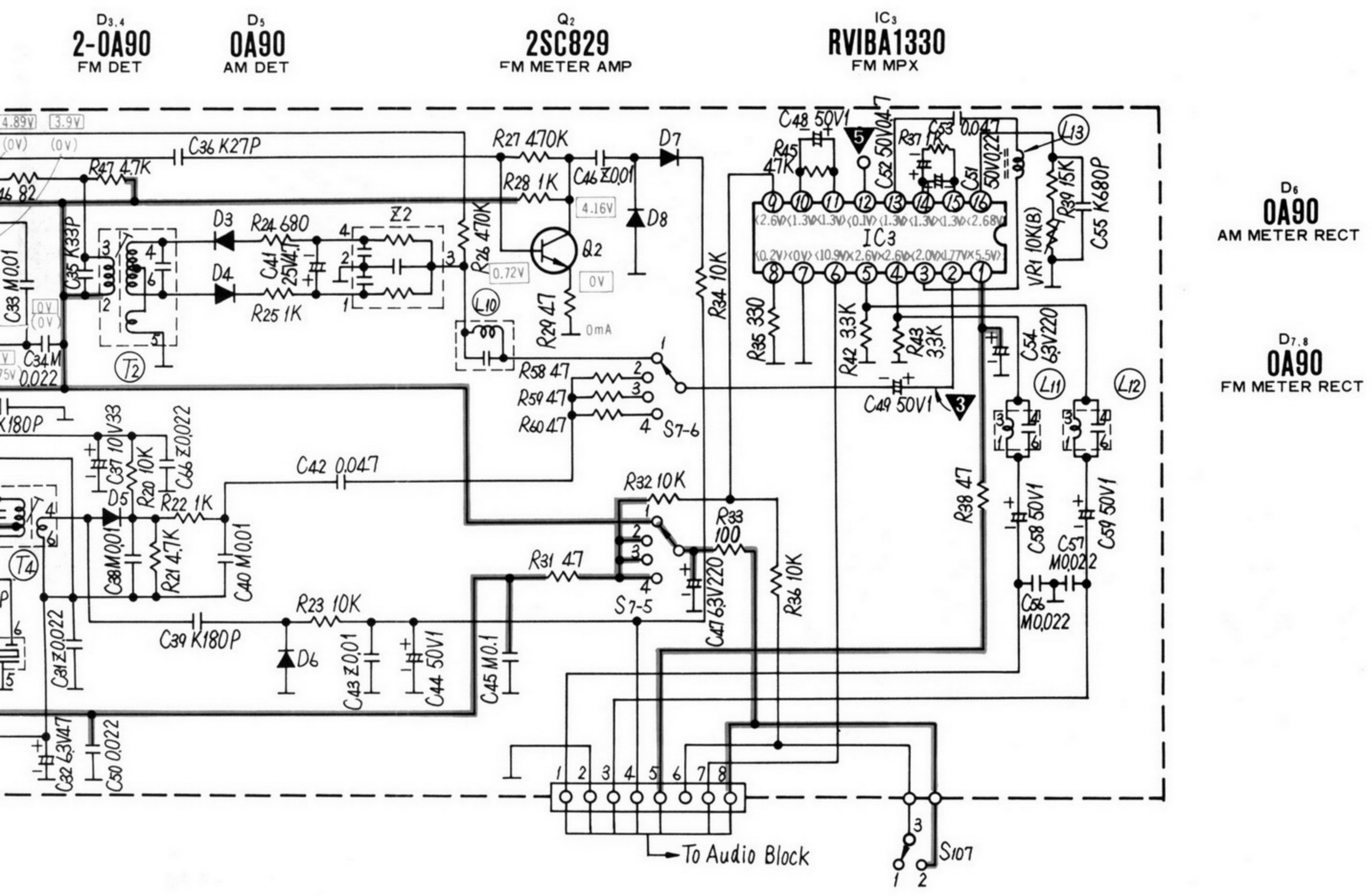
IC BLOCK DIAGRAM



BOTTOM VIEW

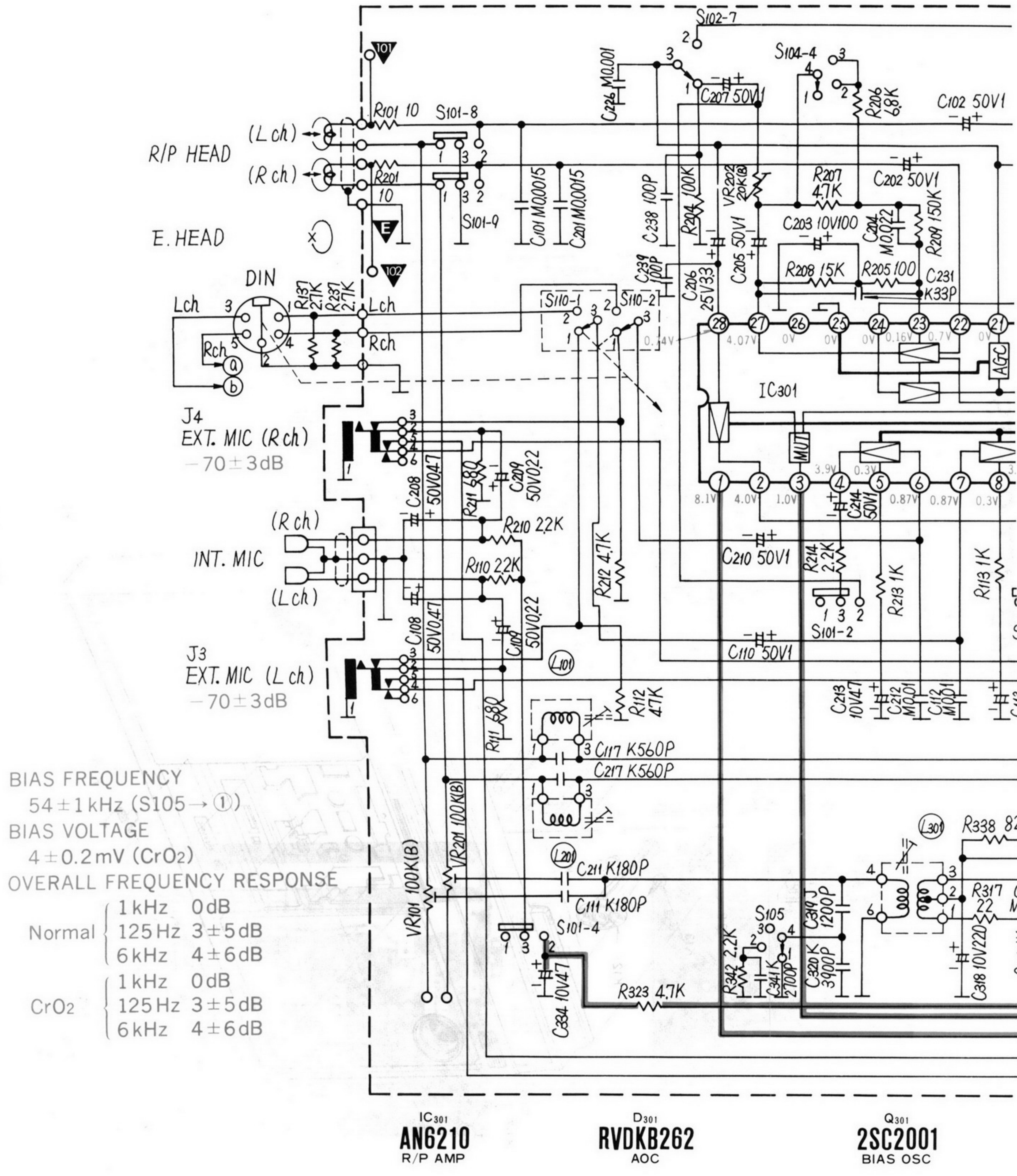


0 CIRCUIT) MODEL RX-5120LS



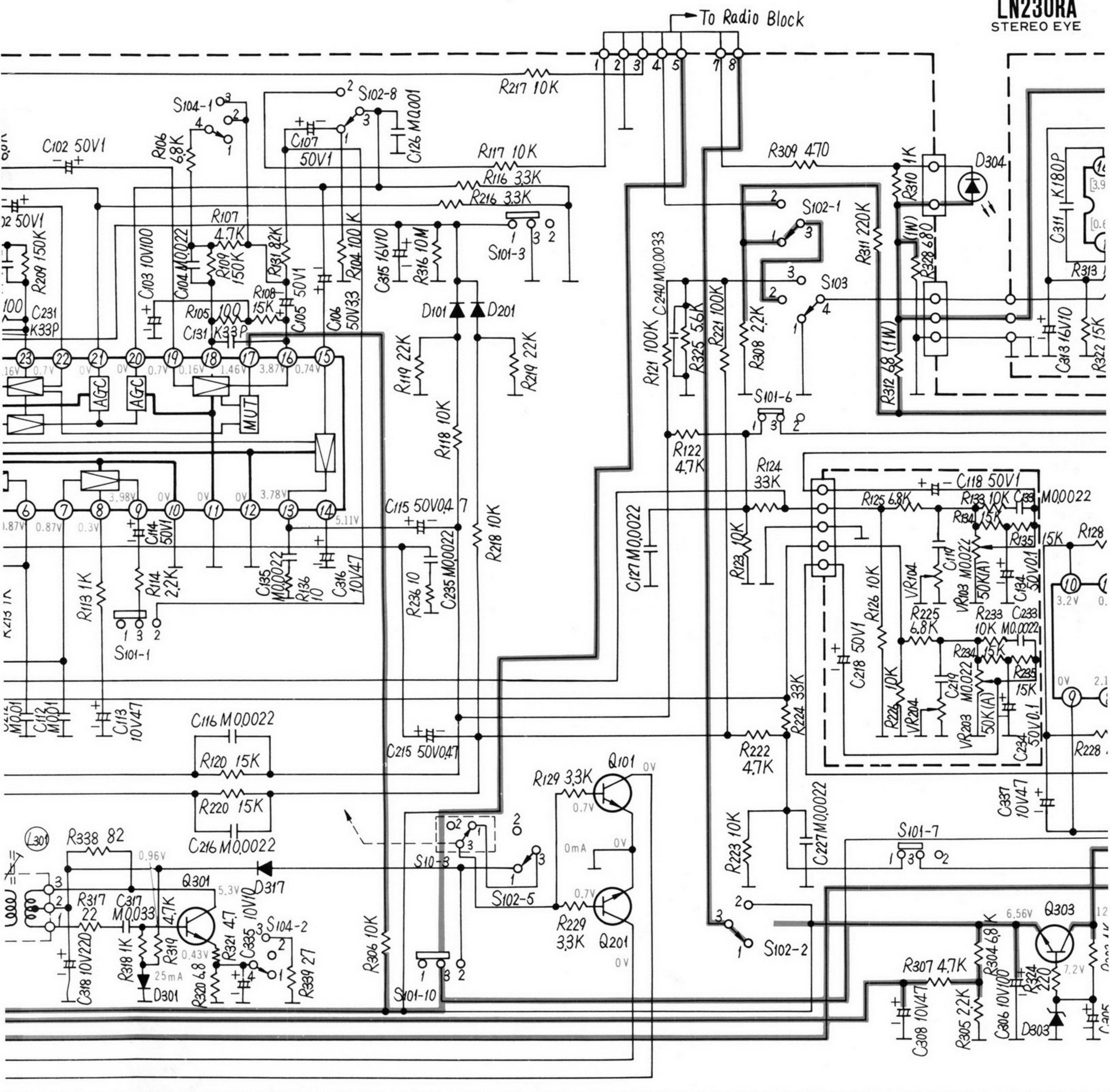
<p>IC2, 3</p>	<p>Cathode</p> <p>Anode D2</p>
<p>Q1, 2</p>	<p>Cathode</p> <p>Anode D3, 4</p>
<p>IC1</p>	<p>Anode Cathode</p> <p>Anode D5, 6, 7, 8</p>

SCHEMATIC DIAGRAM (AUD)



M (AUDIO CIRCUIT) MODEL RX-5120LS

D304
LN230RA
STEREO EYE



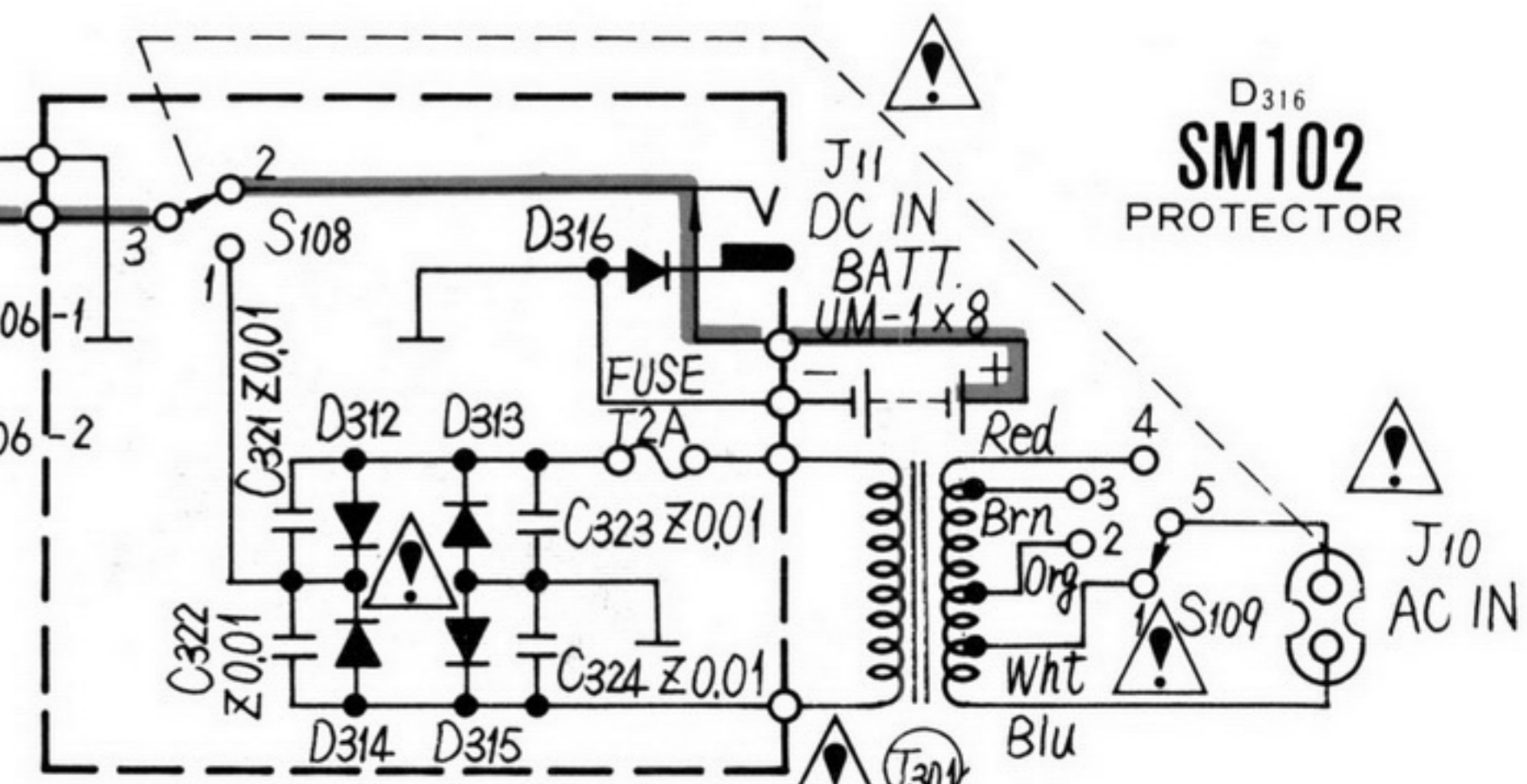
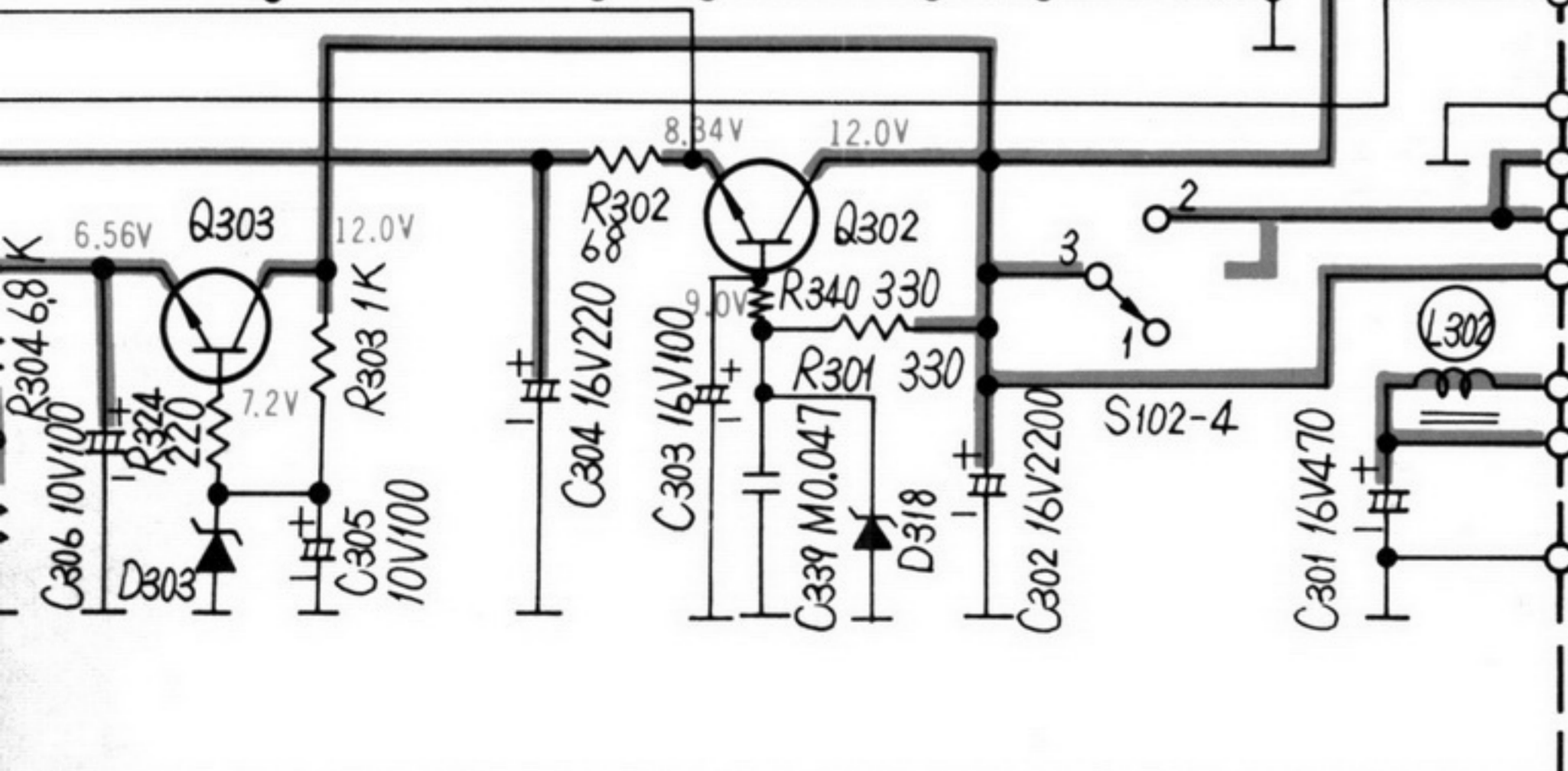
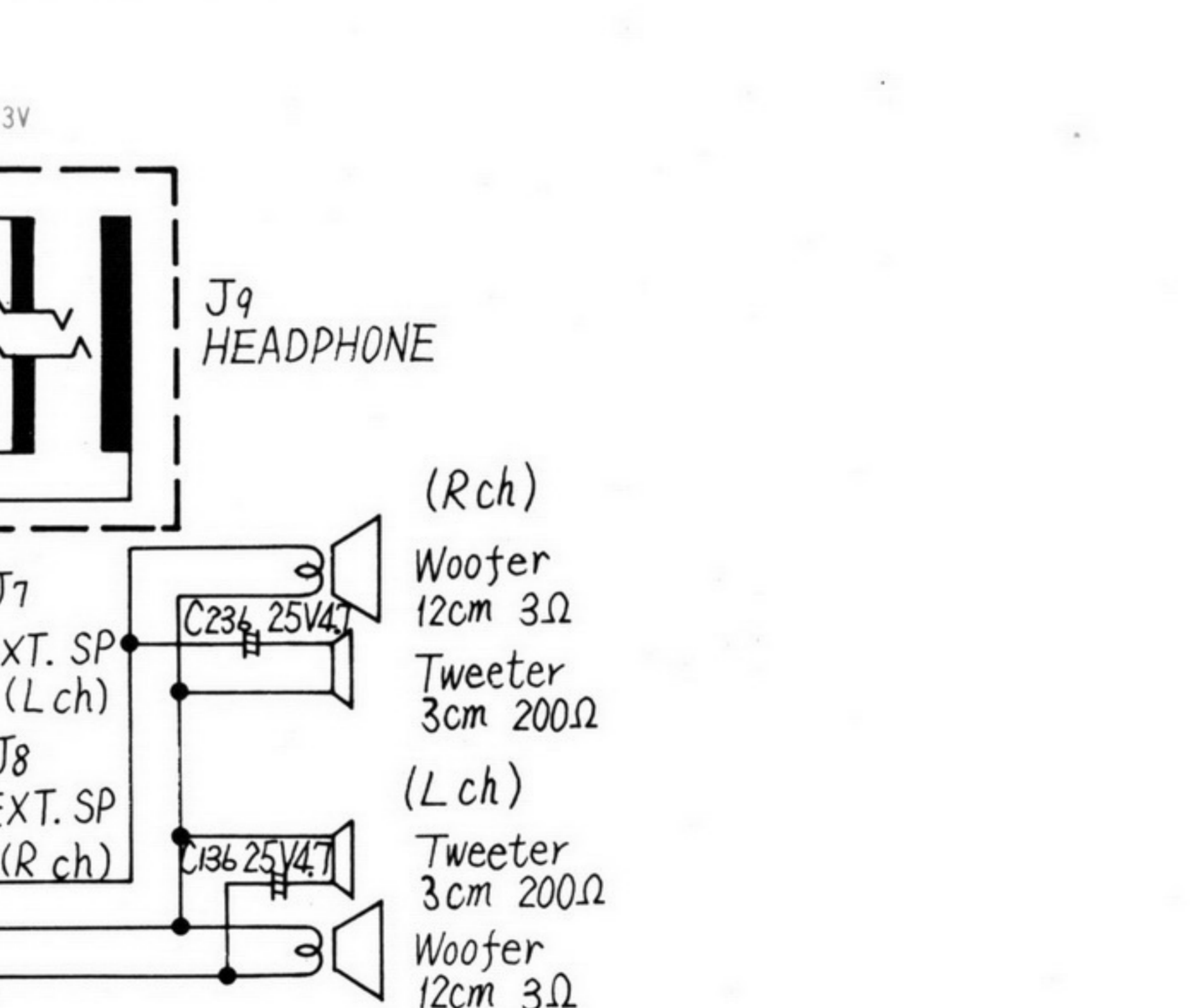
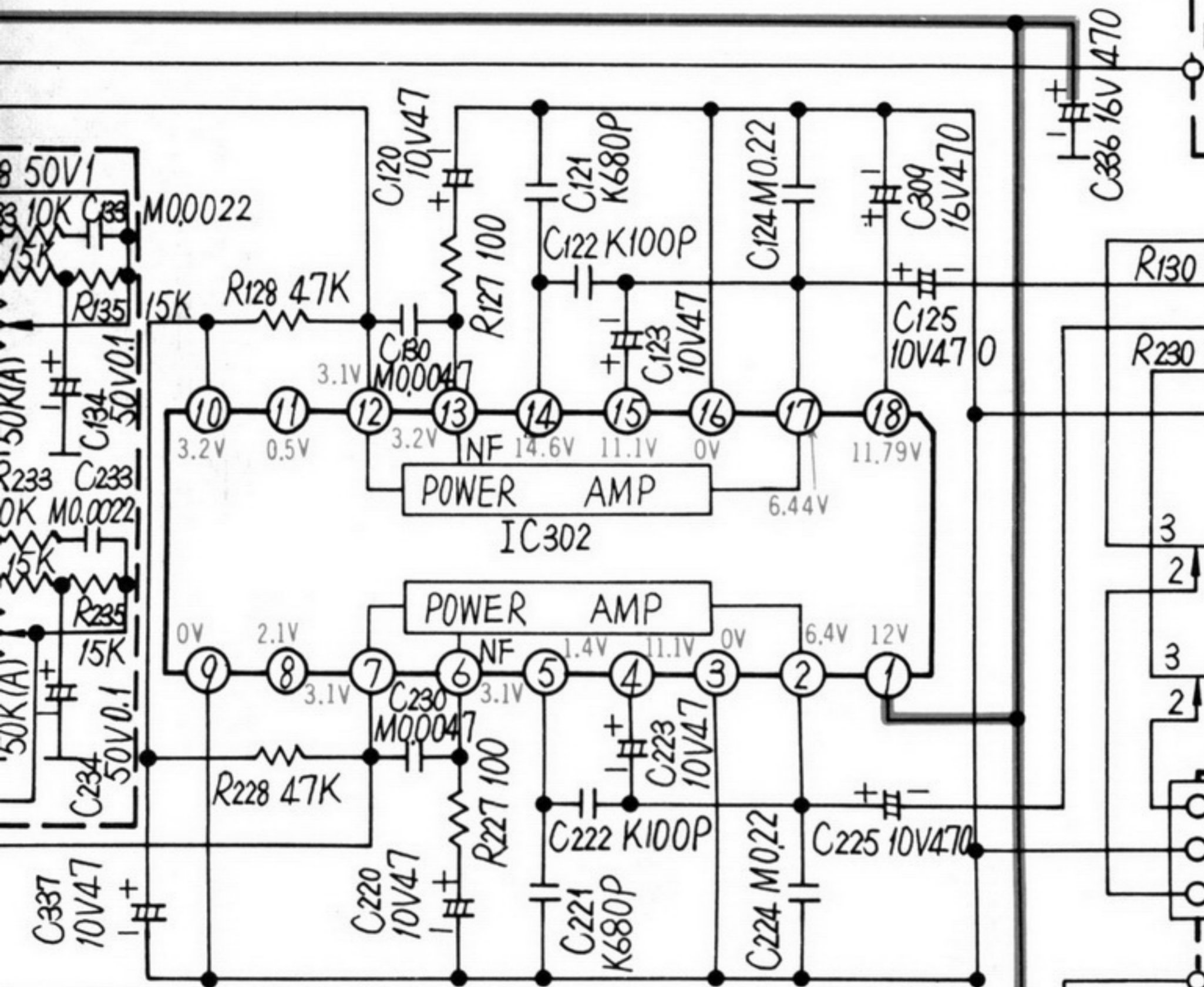
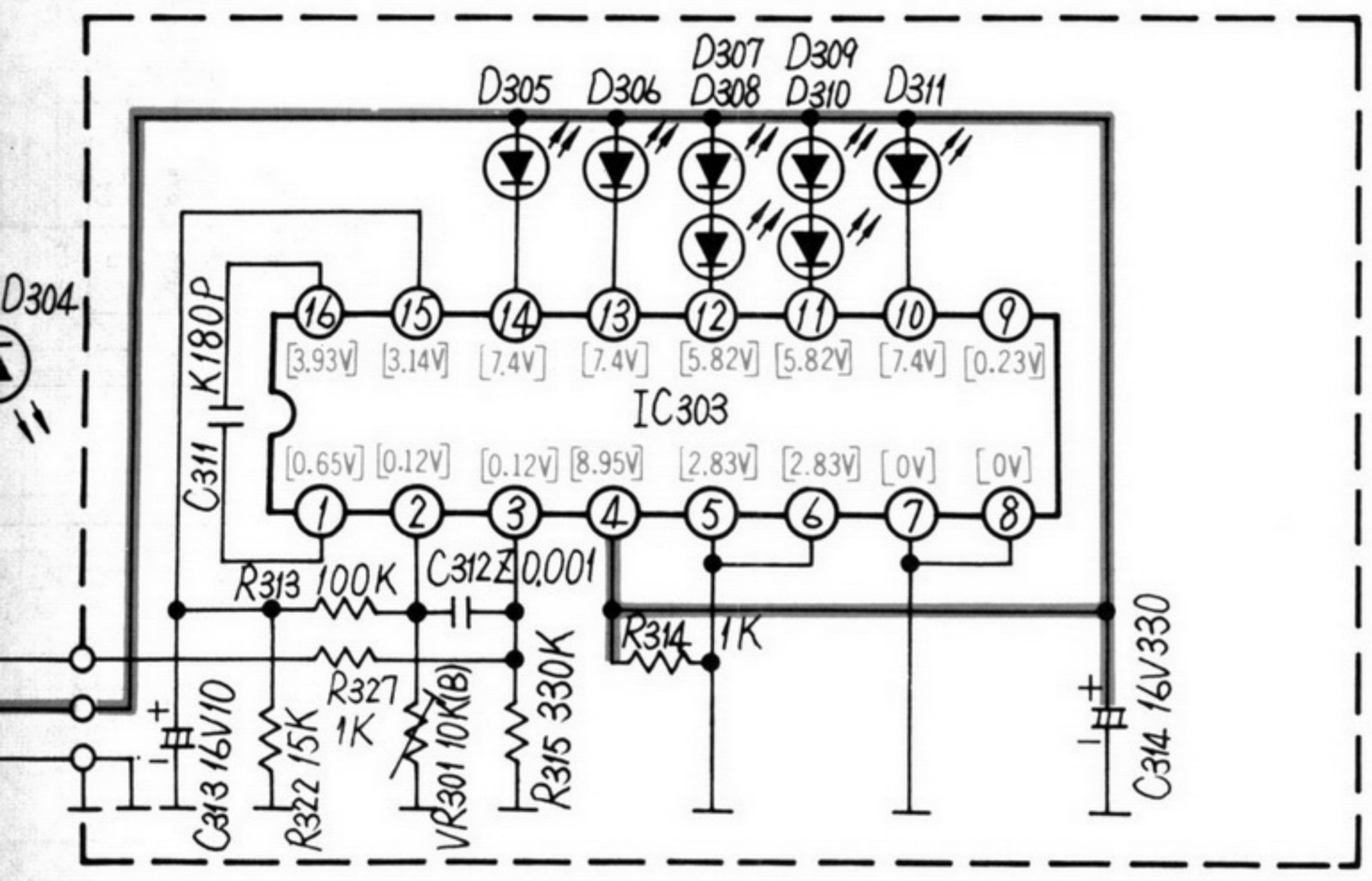
- 301
2001
OSC
- D317
RVD1SS54
SWITCHING
- D101,201
1S2473
AGC
- Q101,201
2SC945
INT. MIC MUTING
- D303
MA1075
REGULATOR
- Q303
2SC1568
REGULATOR

D304
LN230RA
STEREO EYE

D305-311
LN230RE
LED METER

IC303
LB1405
METER DRV.

IC302
AN7146
POWER AMP



Q303
2SC1568
REGULATOR

Q302
2SC945
RIPPLE FILTER

Q318
RVDRD9R1EB
REGULATOR

D312-315
RVD10E1
RECT

- 1: 100 ~ 110V
 - 2: 115 ~ 127V
 - 3: 200 ~ 220V
 - 4: 230 ~ 250V
- 50/60Hz