

Service Manual

Stereo Radio Cassette Recorder

Radio Cassette

RX-FS400



Color

(K) Black Type
(W) White Type

Area

Country Code	Areas	Color
(E)	Continental Europe	(K) (W)
(EB)	Great Britain	
(EG)	F.R. Germany/Italy	

RX-FS400 MECHANISM SERIES

■ SPECIFICATIONS

General:

Power Requirement: AC; (E) (EG)... 220 V, 50 Hz
(EB) 240 V, 50 Hz
Battery; 9 V (Six UM-1 "R20/LR20"
batteries)

Power Consumption: 15 W (AC only)

Power Output: 16 W (8 W×2)... PMPO
3 W (1.5 W×2)... DIN

Speaker: 10 cm PM Dynamic Speaker (2.7Ω)

Output: HEADPHONES; 32Ω, Ø3.5

Dimensions: 450 (W)×143 (H)×146 (D) mm

Weight: 2.2 kg without batteries

Radio Section:

Radio Frequency Range: FM; 87.5~108 MHz
LW; 148.5~285 kHz
MW; 520~1610 kHz
SW; 5.9~18 MHz

Intermediate Frequency: FM; 10.7 MHz
AM; 459 kHz

Sensitivity: FM; 2 μV/50 mW output
(-3 dB Limit Sens.)
LW; 200 μV/m/50 mW output
MW; 159 μV/m/50 mW output
SW; 6 μV/50 mW output

Tape Deck Section:

Frequency Response: 70~10,000 Hz

Recording System: AC bias, Magnet erase

Tape Speed: 4.8 cm/s

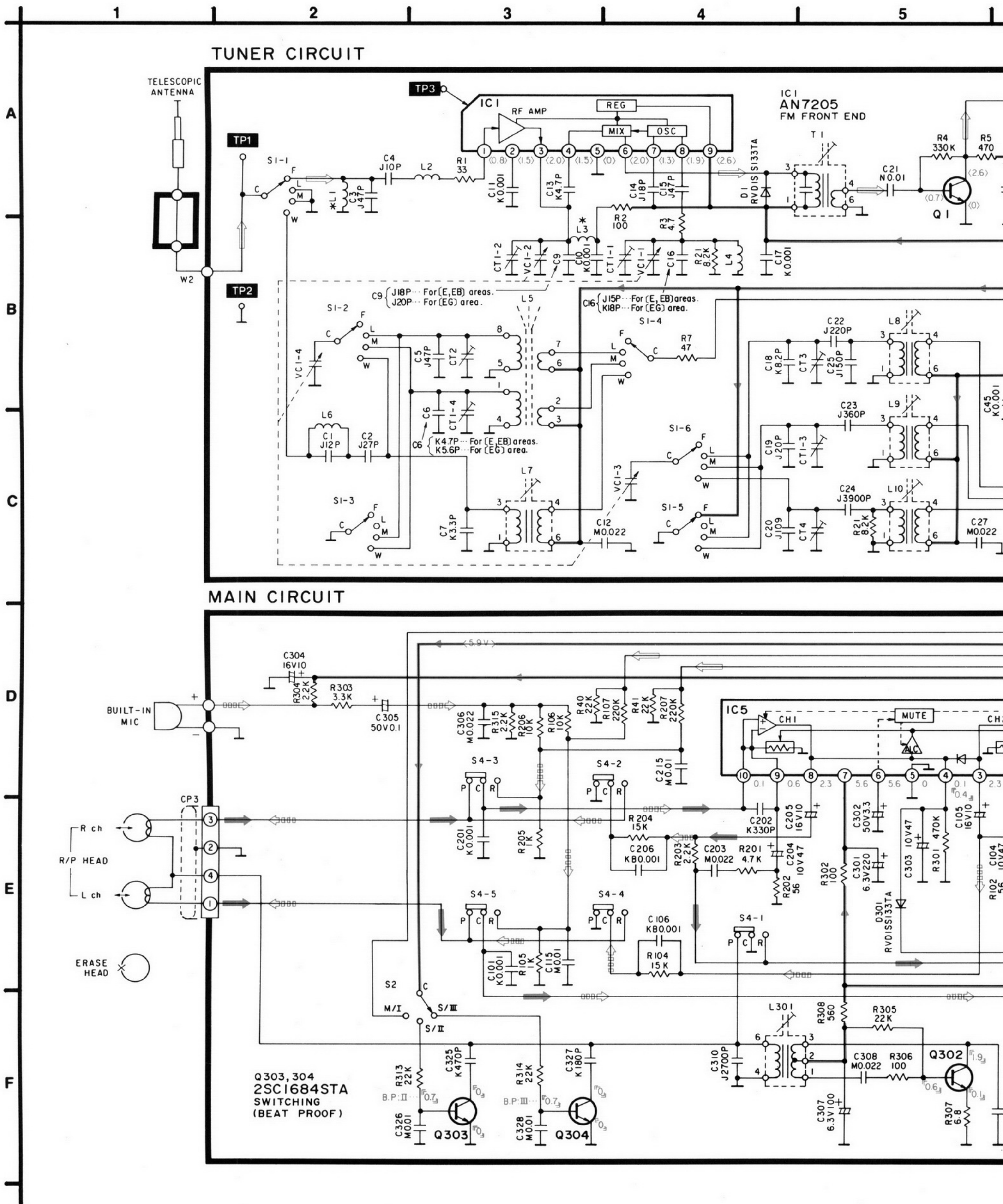
Track System: 4-track 2-channel stereo recording and playback

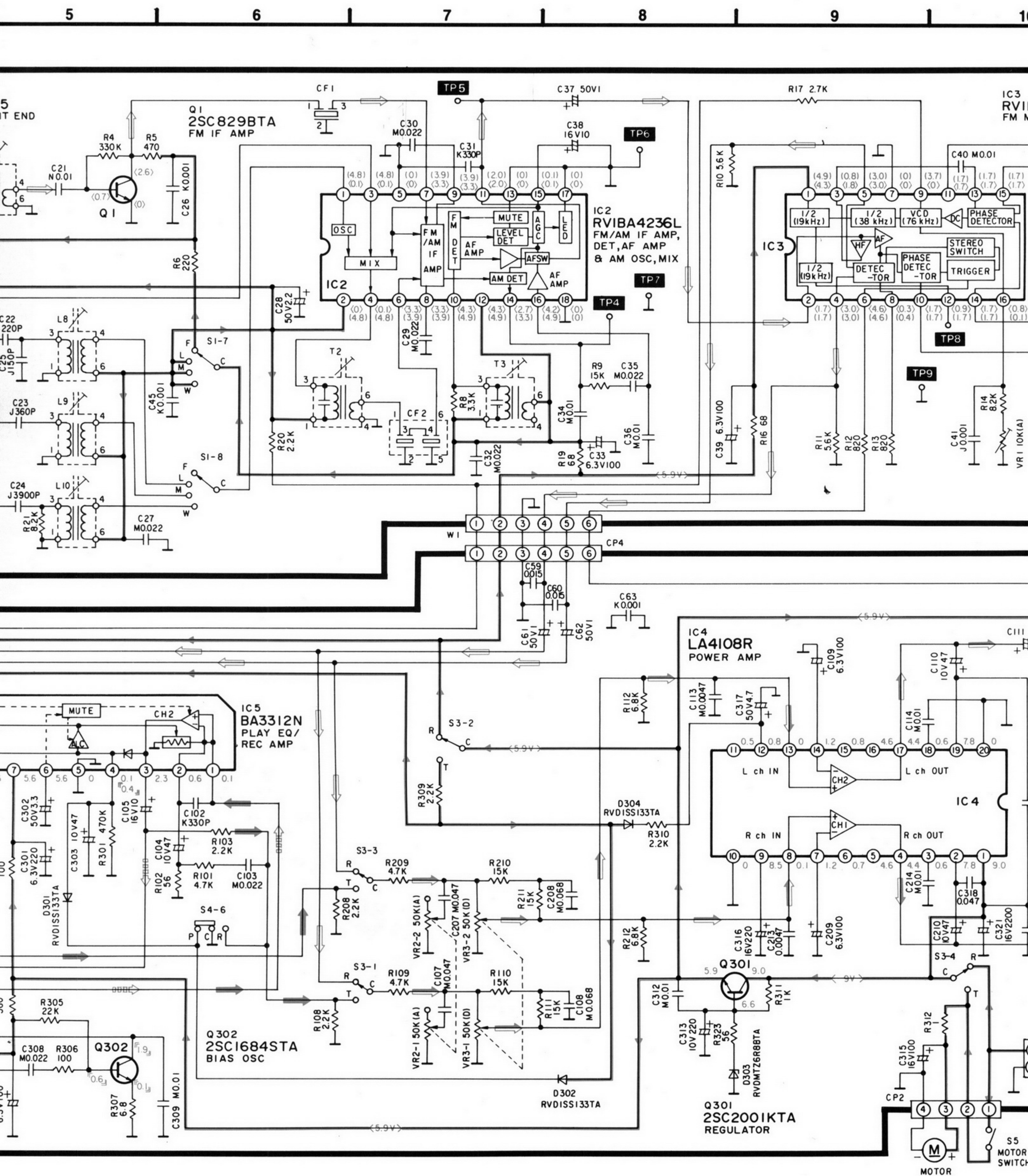
Design and specifications are subject to change without notice.

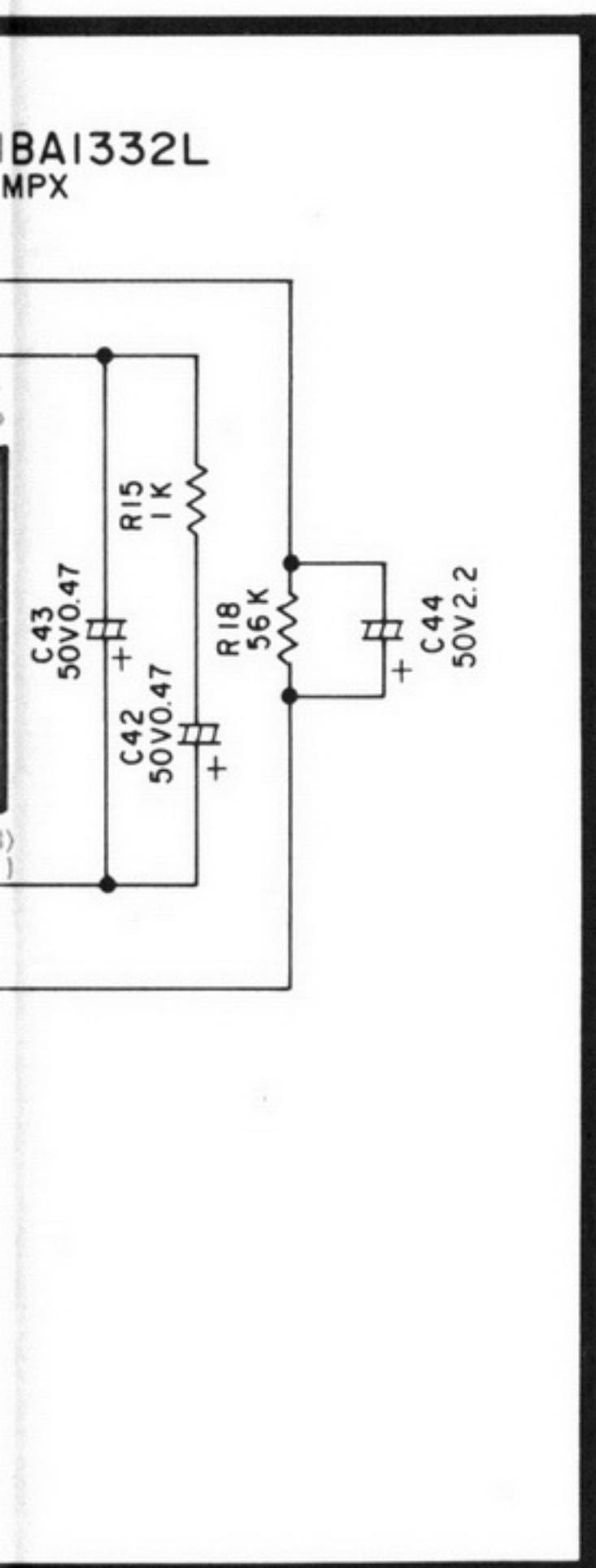
Panasonic

Matsushita Electric Industrial Co., Ltd.
Central P.O. Box 288, Osaka 530-91, Japan

SCHEMATIC DIAGRAM (Parts List on Page 17 and 18.)







Notes:

1. S1-1~S1-8: Band select switch in "FM" position.
(F...FM, L...LW, M...MW, W...SW)
2. S2: FM mode/Beat proof switch in "STEREO/■■■" position.
(M/■...MONO/■, S/■■...STEREO/■■, S/■■■...STEREO/■■■)
3. S3-1~S3-4: Function select switch in "RADIO" position.
(R...RADIO, T...TAPE/[OFF])
4. S4-1~S4-6: Record/Playback switch in "PLAYBACK" position.
(P...PLAYBACK, R...RECORD)
5. S5: Motor switch.
6. S6: AC/DC select switch in "AC" position.
7. VR1: FM VCO adjustment VR.
8. VR2-1, VR2-2: Tone control VR.
9. VR3-1, VR3-2: Volume control VR.
10. DC voltage measurements are taken with electronics voltmeter.
The negative terminal of the battery provides negative meter connection point.
No mark...PLAYBACK, (■) ...RECORD, () ...AM, < > ...FM
11. Battery Current: Vol. min. 56 mA (Radio)
140 mA (Tape Playback)
Vol. max. 262 mA (Radio)
770 mA (Tape Playback)

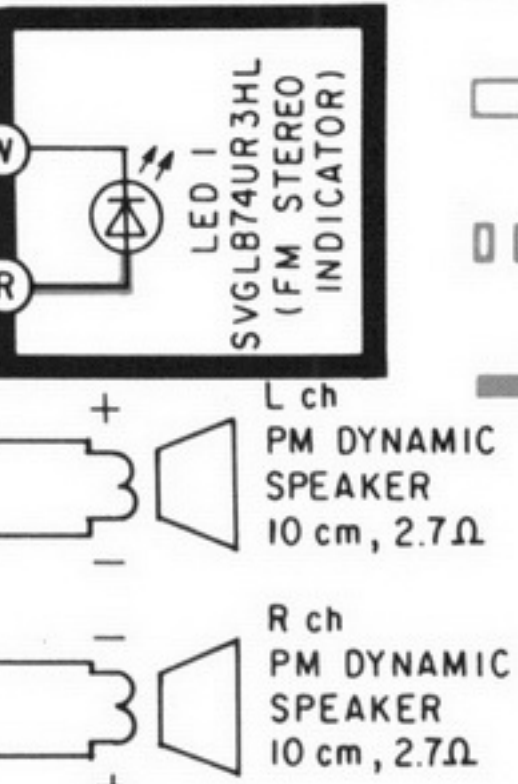
Measurement instruction
(Radio: FM 60 dB, 30% Mod.)
(Tape: 315 Hz, 0 dB)

12. Important safety notice.
Components identified by Δ mark have special characteristics important safety.
When replacing any of these components, use only manufacturer's specified parts.
13. The mark (■) shows test point e.g. Δ TPT1 = test point 1.

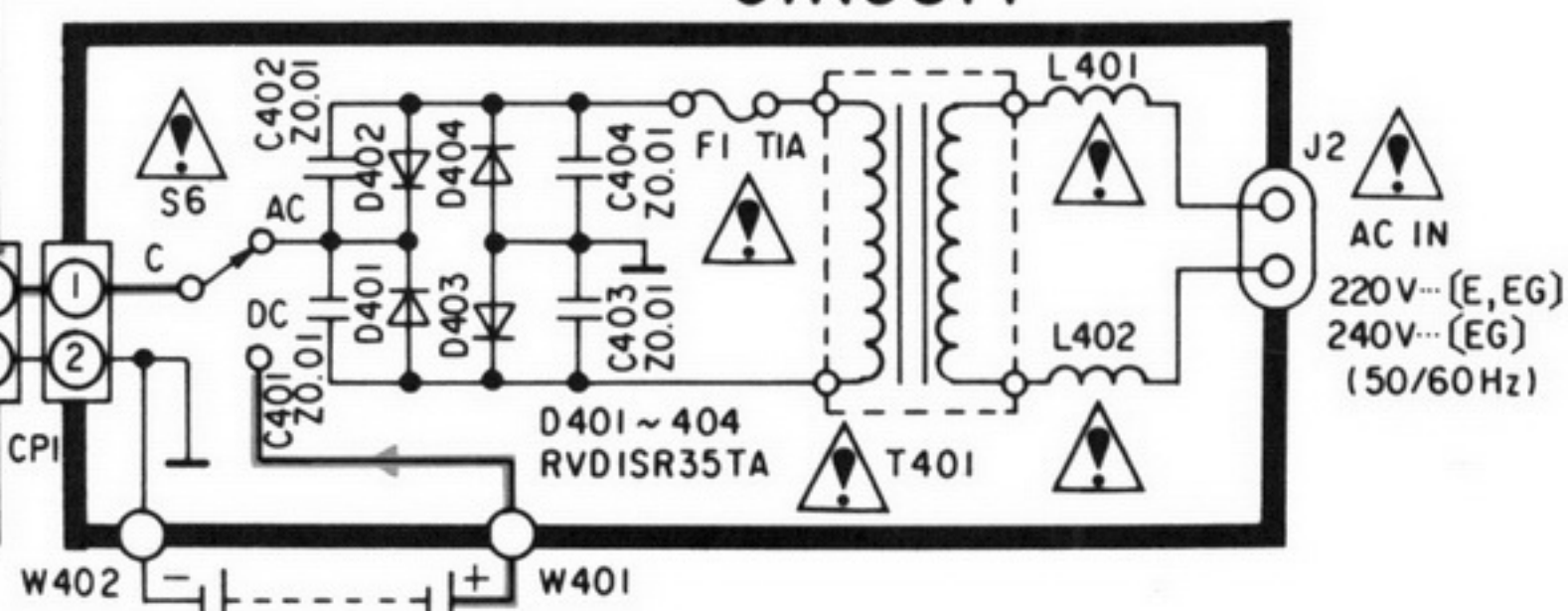
• This schematic diagram may be modified at any time with the development of new technology.



LED CIRCUIT



POWER SUPPLY CIRCUIT



BATTERY 6 UM-1 BATTERIES ... 9V
(R20P/LR20 OR EQUIVALENT)