

Service Manual



MASH^{*}
multi-stage noise shaping

※ • MASH is a trademark of NTT.

Portable CD Player

SL-S221C



Colour

(H) Gray Type

Areas

EB Great Britain.

EG Europe.

GN Oceania.

Please file and use this manual together with the service manual for Model No. SL-S318/S320, Order No. AD9703059C8.

- Notes:**
- This simplified service manual is provided to indicate the main differences between the original model No. SL-S318/S320 (E) and the subsequent model No. SL-S221C(EB, EG, GN). In this service manual a comparison is drawn between the above-stated 2 models and the SL-S320 (E).
 - Refer to the Schematic Diagram and Printed Circuit Board and Wiring connection Diagram and Packaging of this service manual.

CHANGES

Specifications (SL-S318/S320 Service Manual of cover page.)

SL-S320 (E)

Playing time

Batteries used: Extra anti-shock OFF/ON

General

Power consumption (Extra anti-shock OFF/ON)



SL-S221C(EB, EG, GN)

Playing time

Batteries used: Anti-shock OFF/ON

General

Power consumption (Anti-shock OFF/ON)

Location of Controls (SL-S318/S320 Service Manual of page 3.)

SL-S320 (E)

Ⓝ Extra anti-shock switch (EXTRA ANTI-SHOCK)

This function minimizes sound interruption when vibrations are encountered by utilizing audio data that has been stored ahead of time (up to approximately 10 seconds' worth).



SL-S221C(EB, EG, GN)

Ⓝ Anti-shock switch (ANTI-SHOCK)

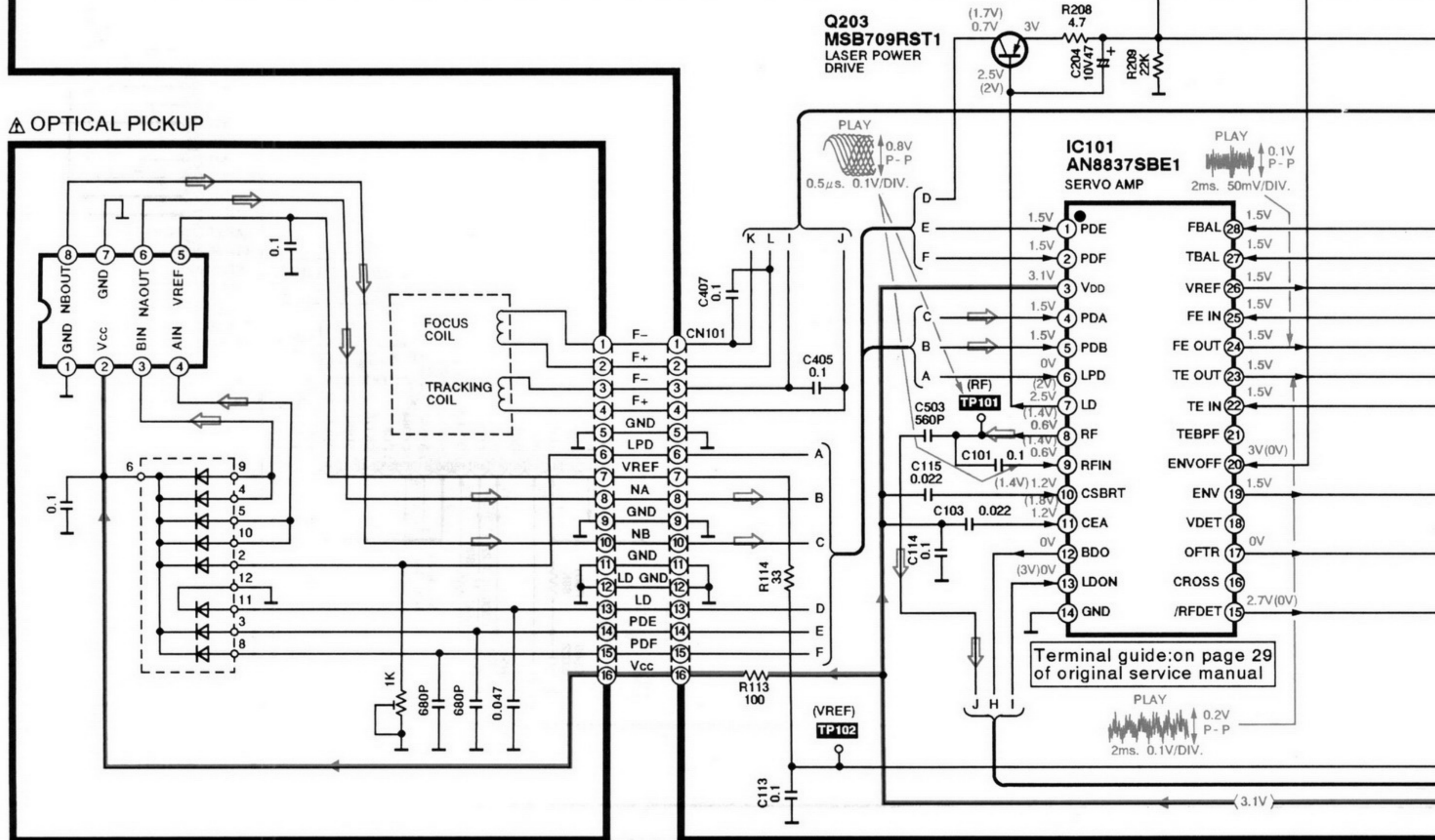
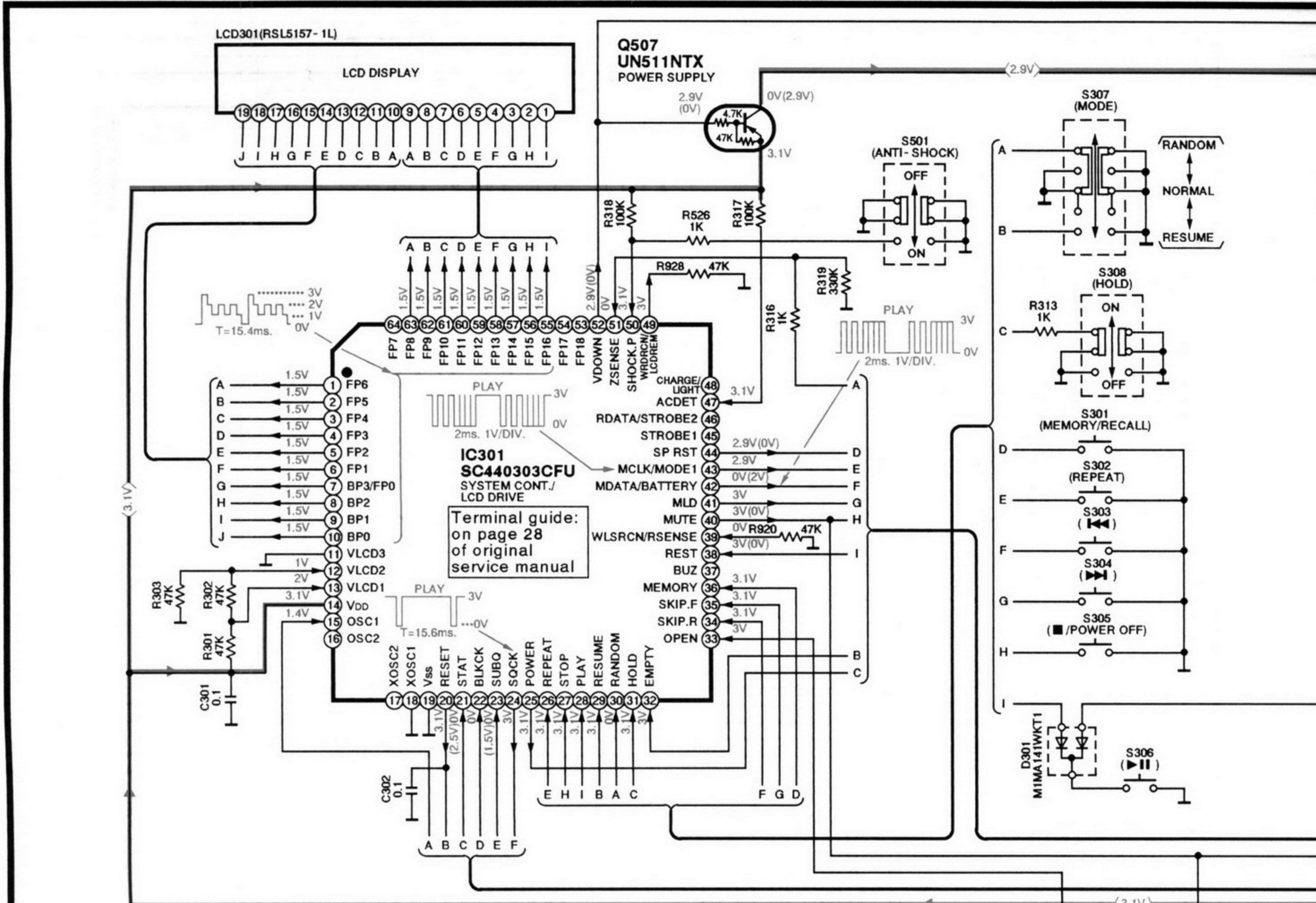
This function minimizes sound interruption when vibrations are encountered by utilizing audio data that has been stored ahead of time (up to approximately 3 seconds' worth).

⚠ WARNING

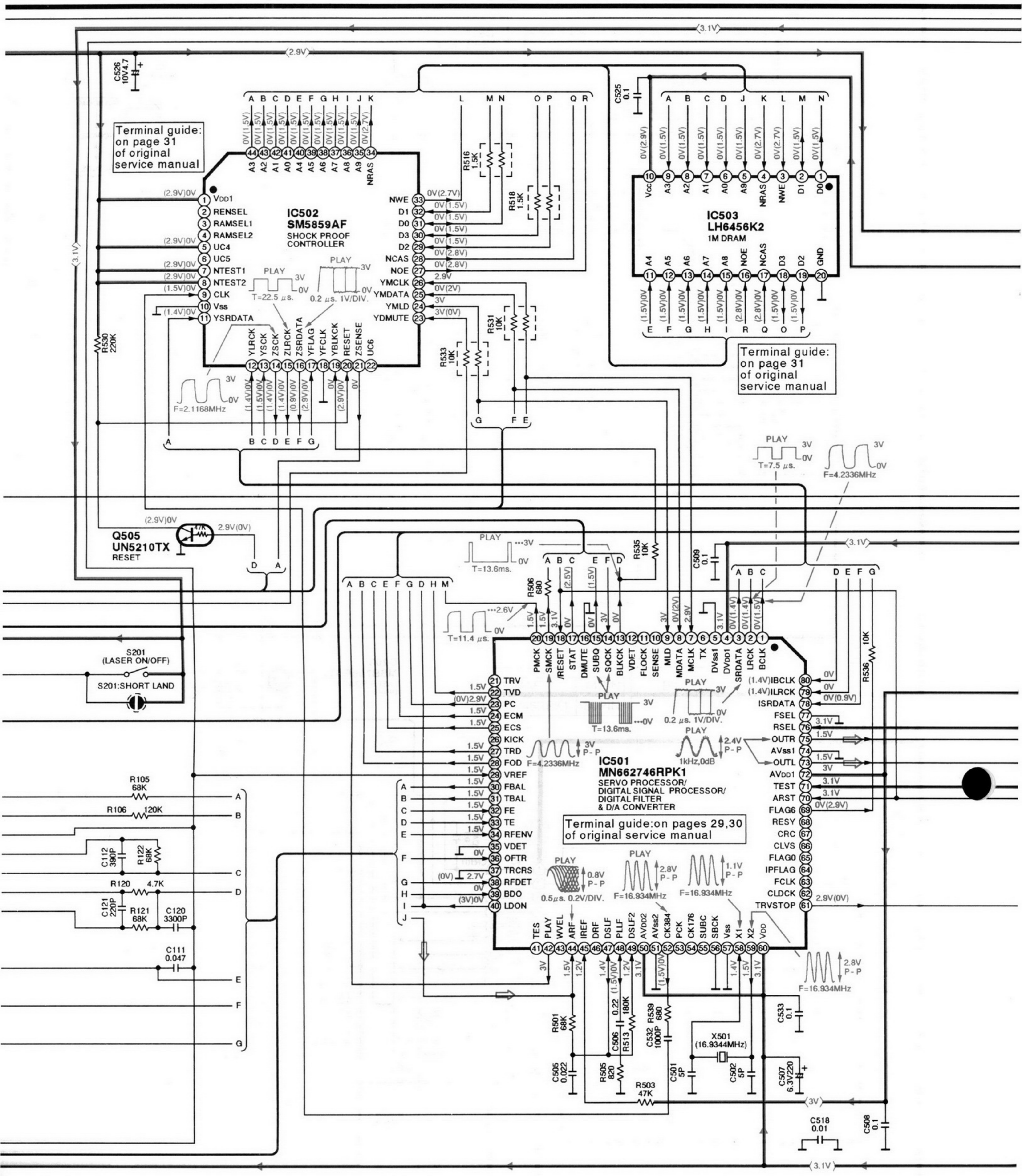
This service information is designed for experienced repair technicians only and is not designed for use by the general public. It does not contain warnings or cautions to advise non-technical individuals of potential dangers in attempting to service a product. Products powered by electricity should be serviced or repaired only by experienced professional technicians. Any attempt to service or repair the product or products dealt with in this service information by anyone else could result in serious injury or death.

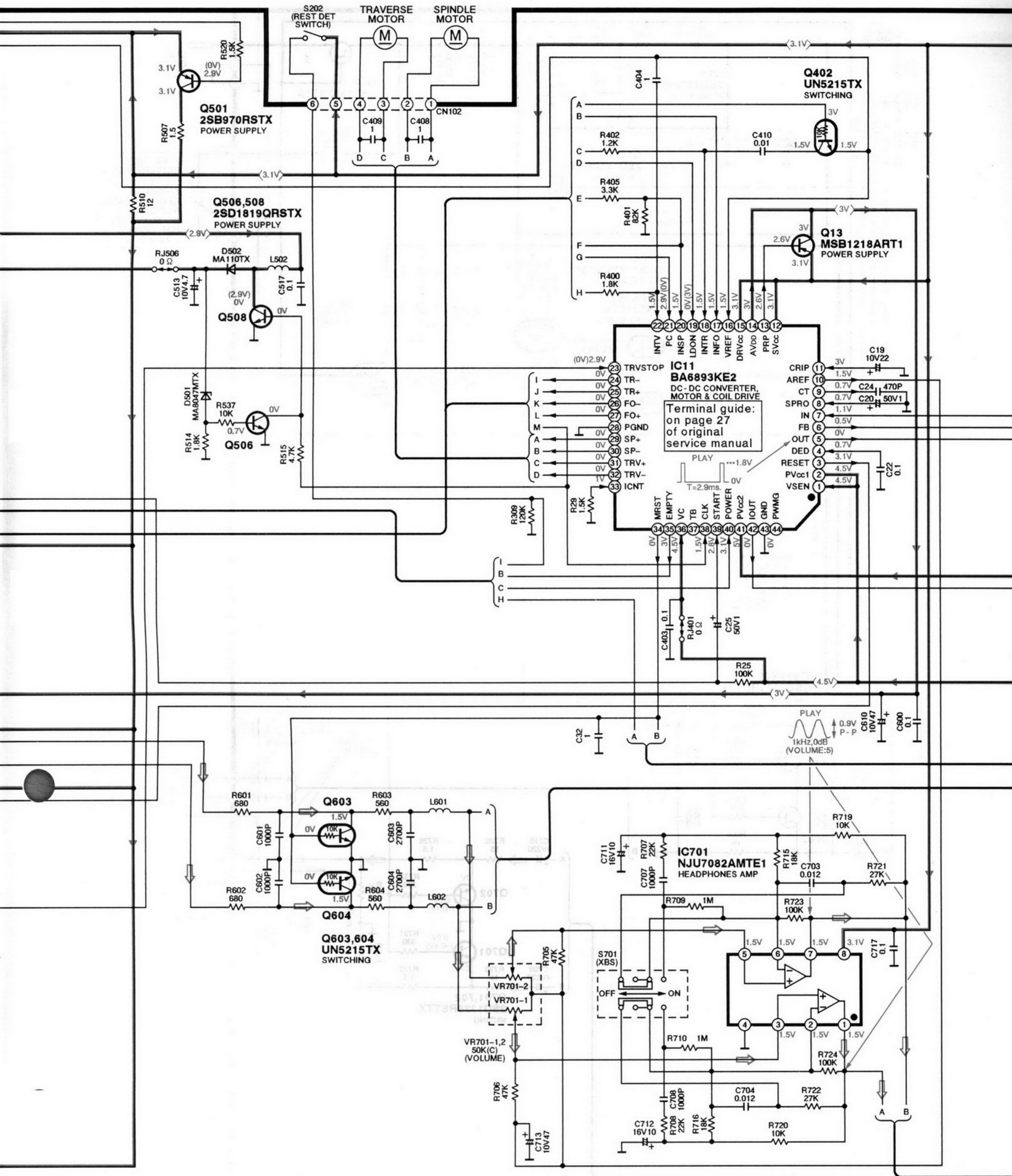
© 1997 Matsushita Electric Industrial Co., Ltd.
All rights reserved. Unauthorized copying and distribution is a violation of law.

(P.C.Board: on pages 4,5)



Note: ● → : Audio signal lines.





Note: ● → : Audio signal lines.

