

Service Manual

COMPACT
disc
DIGITAL AUDIO

**SHOCK
WAVE**

MASH^{*}
multi-stage noise shaping

※ • MASH is a trademark of NTT.

Portable CD Player

SL-SW415

Colour (S) ... Silver Type

Areas

EB Great Britain.
EG Europe.
GC Asia, Latin America,
Middle East and Africa.
GN Oceania.
GH Hong Kong.



Traverse Deck: RAE0142Z Mechanism Series

Specifications

Audio

No. of channels: 2 channels (left and right, stereo)
Output voltage: 0.6 V(50 kohm) diameter 3.5 stereo mini jack
Frequency response: 20—20,000 Hz (+0.5 dB, -1.5 dB)
S/N: More than 94 dB*
Wow and flutter: Below measurable limit
DA converter: 1 bit, MASH*
Headphones output level: Max. 9 mW+9 mW/16 ohm (variable)
stereo mini jack diameter 3.5
Digital filter: 8 times over sampling

Signal Format

Correction system: Technics New
Super Decoding Algorithm

Pickup

Type: One beam
Light source: Semiconductor laser
Wavelength: 780 nm
Lens: Glass pressed lens

Playing time

(When used in hold mode, at 25 degree temperature and on flat and stable surface.)

Batteries used: Extra anti-shock OFF/ON

Panasonic Alkaline dry cell batteries(LR6, 2pcs.) : Approx. 12h / 10h

Rechargeable batteries

RFKFP3GAVE2S, RFKFP3GAVT2S

(When rechargeable 5 hours.) : Approx. 6.5h / 5.5h

SH-CDB8D (When rechargeable 3 hours.) : Approx. 3.5h / 3.0h

The play time may be less depending on the operating conditions.

General

Operation temperature range: 0 — 40 degree
Rechargeable temperature range: 5 — 40 degree
Power supply: DC 4.5 V
Power consumption (Extra anti-shock OFF/ON)
AC adaptor; 5.1W/5.2W
Battery (DC 3V); 0.5W/0.6W
When recharging; 4.3W
Dimensions : 135.0(Wide)/34.0(High)/150.5(Depth)mm
Weight: 355 g (with batteries)
310 g (without batteries)

*These specifications were measured in the extra anti-shock OFF mode.

Note: Specifications are subject to change without notice.

Weight and dimensions are approximate.

⚠ WARNING

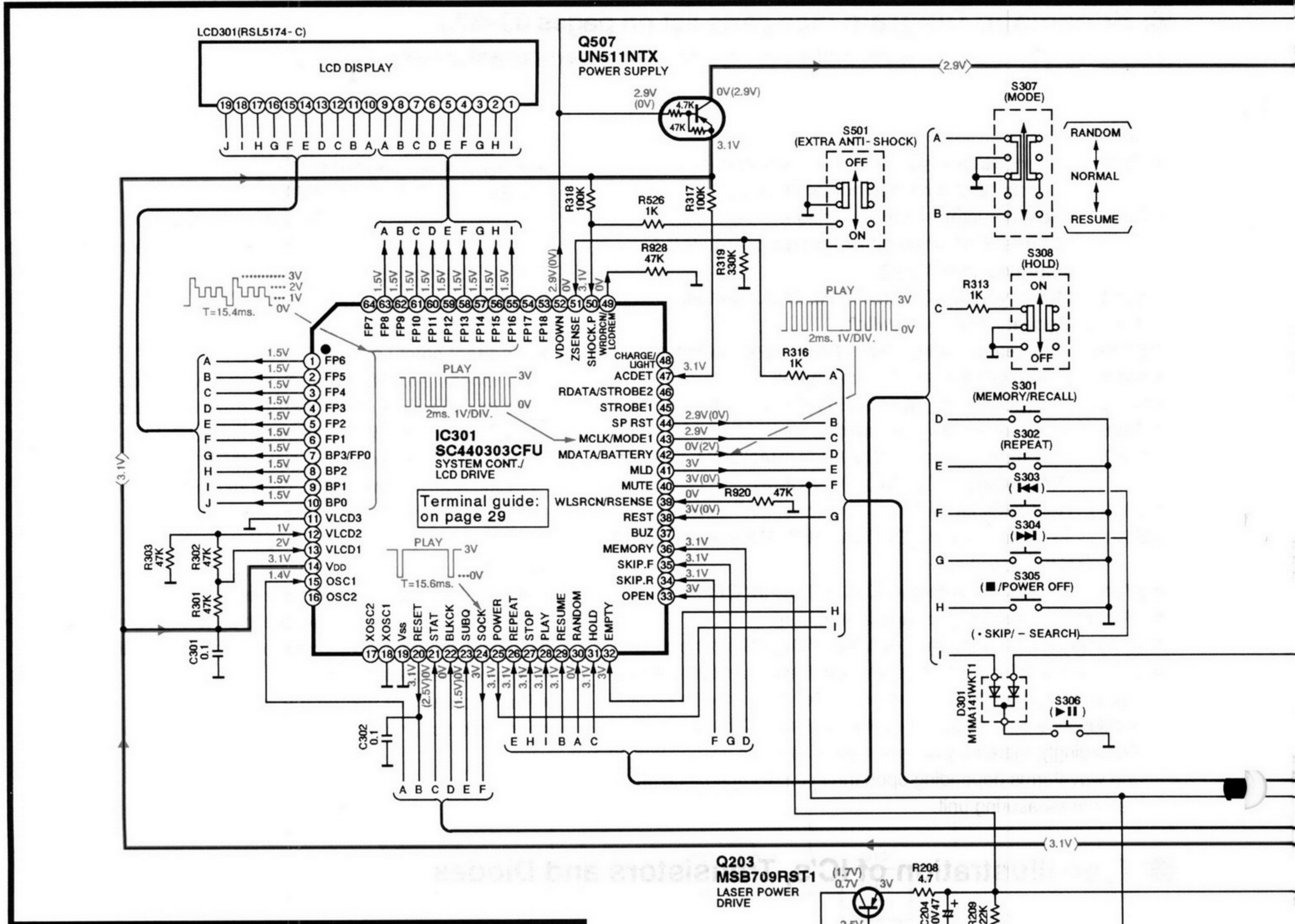
This service information is designed for experienced repair technicians only and is not designed for use by the general public. It does not contain warnings or cautions to advise non-technical individuals of potential dangers in attempting to service a product. Products powered by electricity should be serviced or repaired only by experienced professional technicians. Any attempt to service or repair the product or products dealt with in this service information by anyone else could result in serious injury or death.

Panasonic®

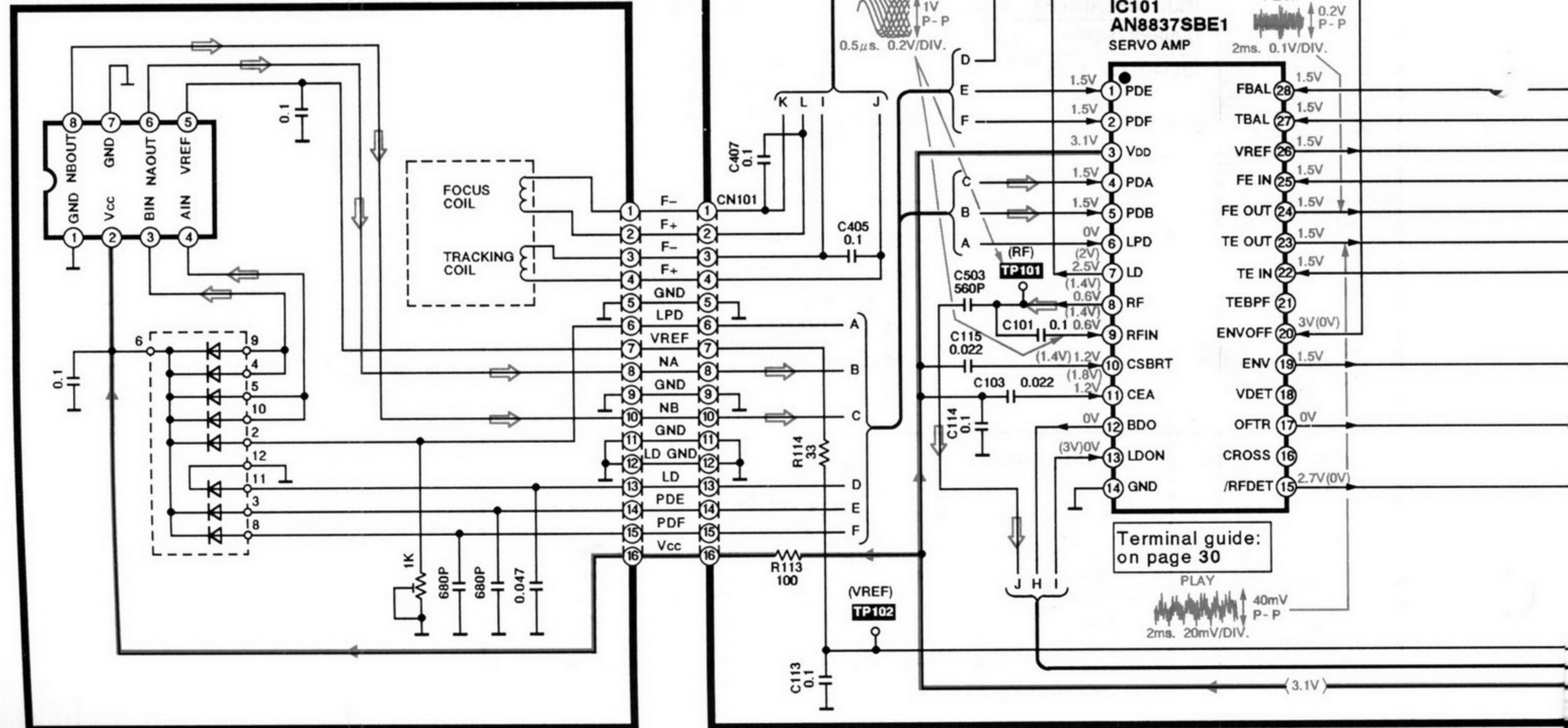
© 1997 Matsushita Electric Industrial Co., Ltd.
All rights reserved. Unauthorized copying and distribution is a violation of law.

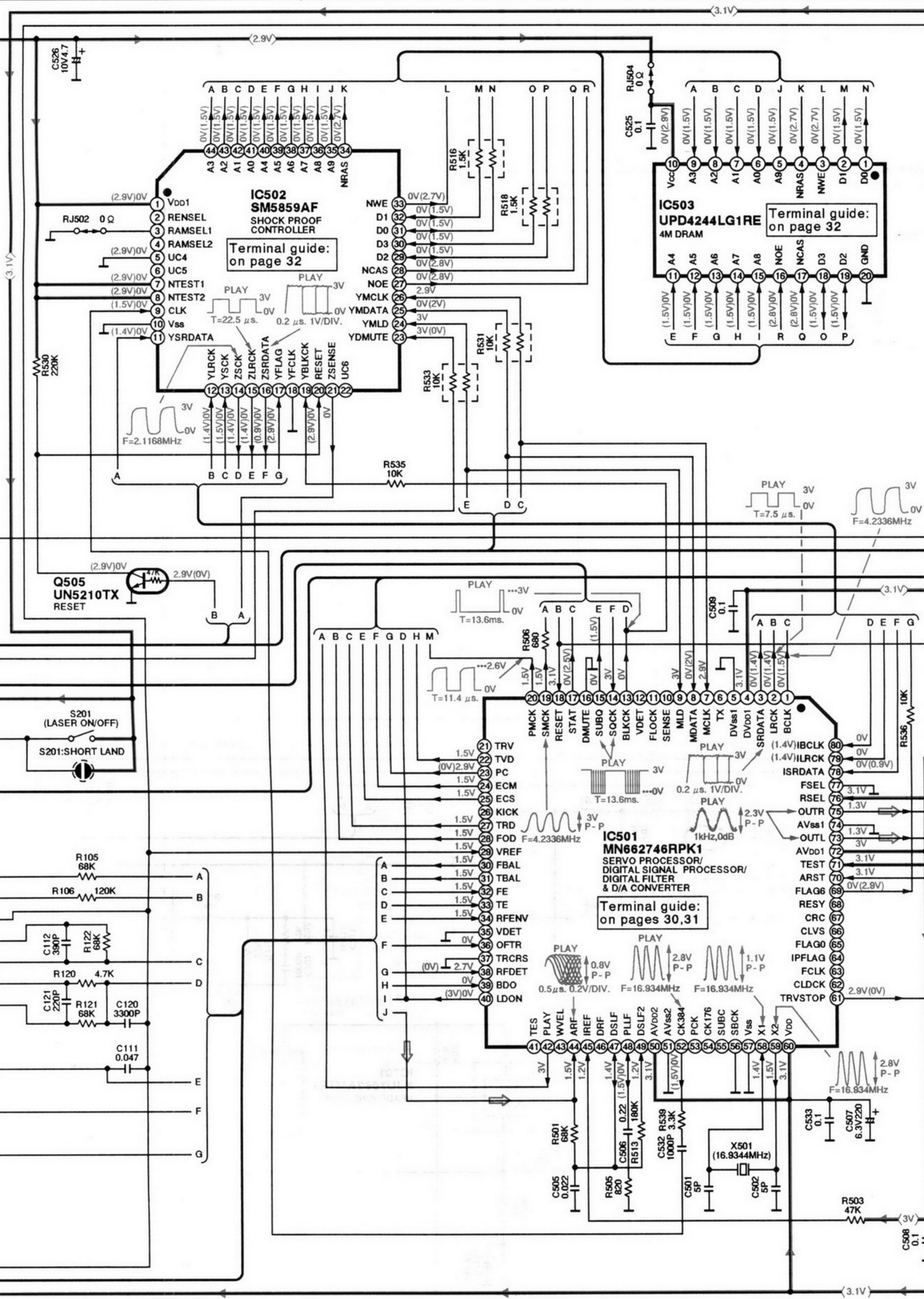
Note: ● →: Audio signal lines.

(P.C.Board: on pages 26,27)



▲ OPTICAL PICKUP





Note: ● →: Audio signal lines.

