

Service Manual

Stereo Music System

969CDL (W.GERMANY)



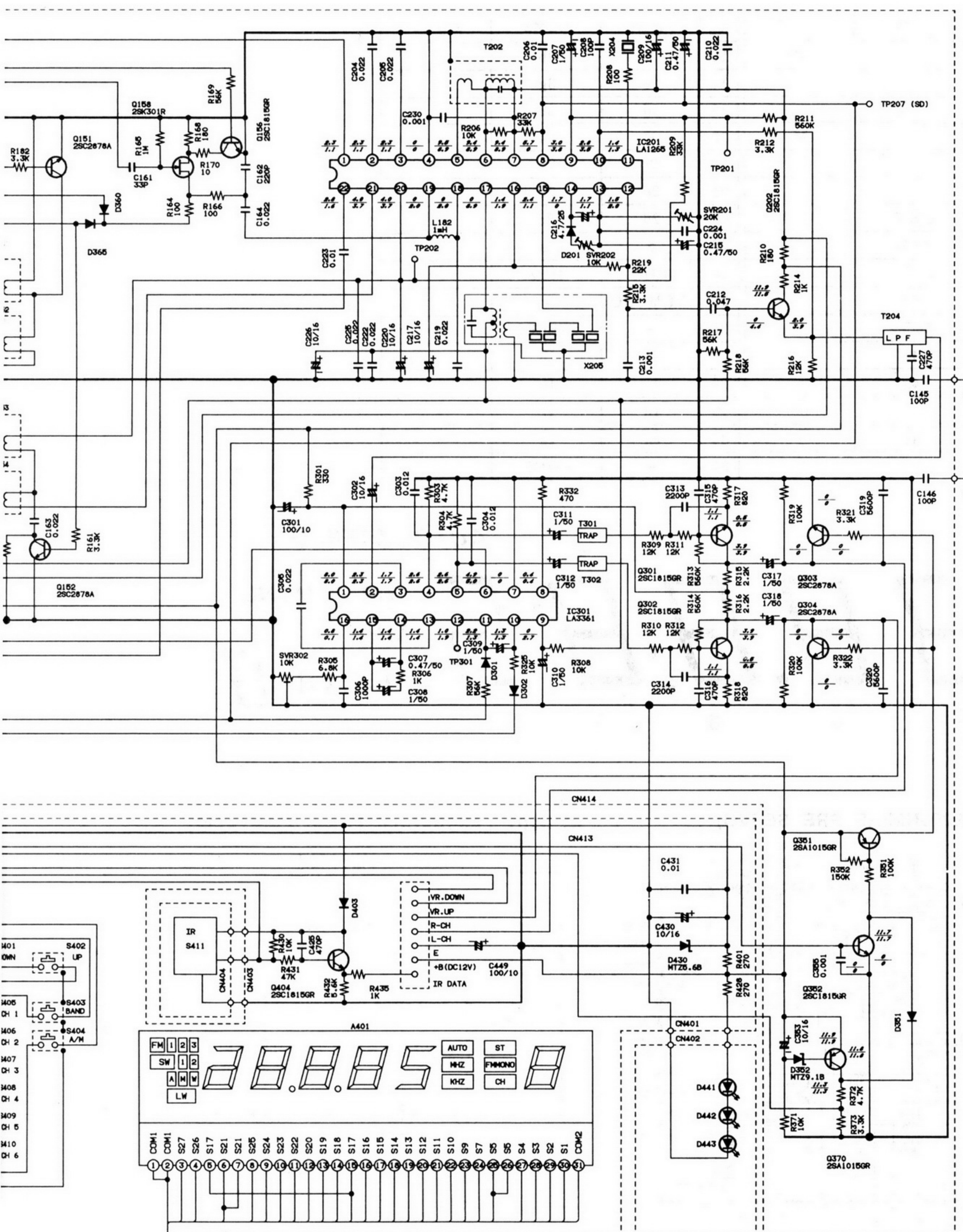
PRODUCT CODE No.
129 338 05 (W.GERMANY)

Specifications

Tuner section		CD section		General	
Frequency range	FM : 87.5 - 108.0 MHz MW : 522 - 1,611 kHz LW : 144 - 290 kHz	Channel	2-channels	Output power 25 W × 2 (maximum)
sensitivity	FM : 1.5 μ V/14.77dBf MW : 400 μ V/m LW : 800 μ V/m	Frequency response	5-20,000Hz	Headphone	1/4" Jack
Cassette Deck section		S/N ratio	96 dB	Power source AC : 220V, 50Hz
Recording system	AC bias, 4 track stereo	Channel separation	90dB (1 kHz)	Dimensions	(approx.) 420 × 350 × 385 mm
Rewind and fast forward time	Approx, 120 sec (C-60)	Distortion	0.12% (1 kHz)		(W × D × H)
Wow and flutter	0.18% (WRMS)	Wow and flutter	Undetectable	RB49 REMOTE CONTROLLER	
S/N	45dB/55dB (Dolby OFF/ON)	Signal format		Power requirements	DC 3V "AA/SUM-3/R8" × 2
Seperation	40dB	Sampling frequency	44.1 kHz	Dimension	Approx. 40 × 18 × 160 mm (W × D × H)
Turn table	Semi auto DC belt drive	Quantization	16 bits linear/channel		
Cartridge	Ceramic	Transmission rate	4.32 Mbit/sec.		
Stylus	ST-868J	Pickup System	Light pickup (3 -beam)		
		Light source	Semiconductor laser		
		Wave length	790 nm transmission rate		

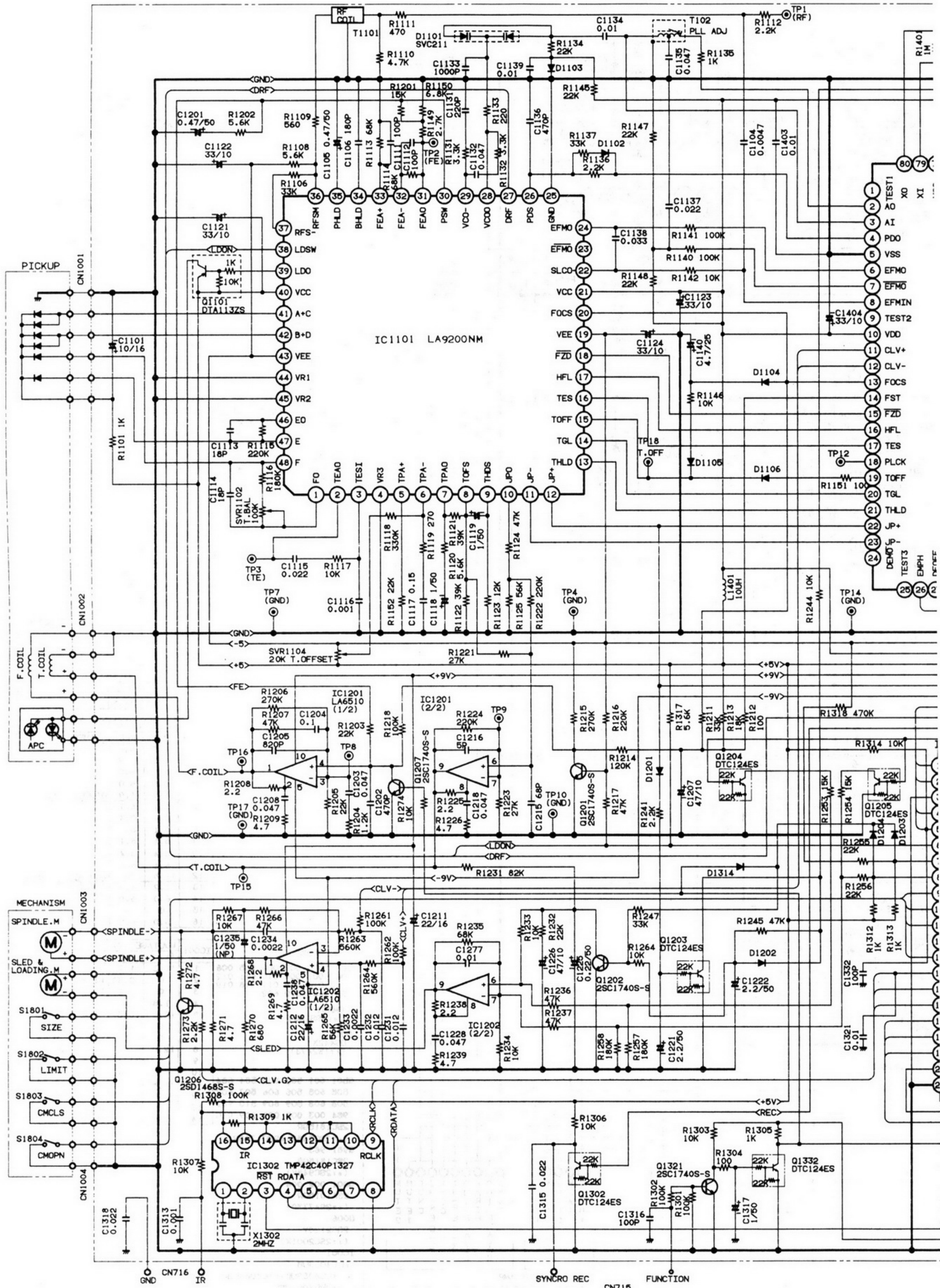
Specification subject to change without notice.

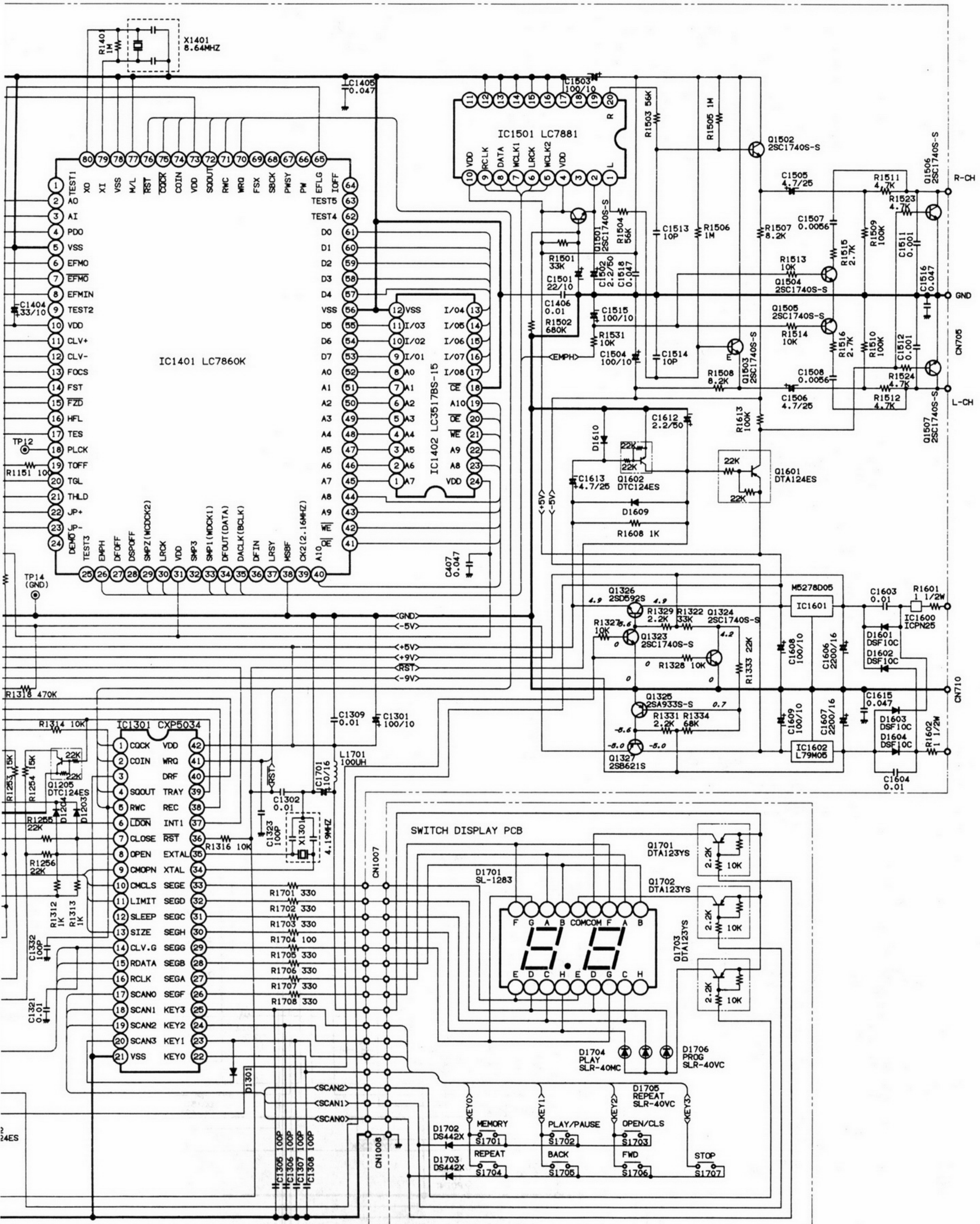
"Dolby" and the double-D symbol are trademark of Dolby Laboratories Licensing Corporation. Dolby Noise Reduction system is manufactured under license from Dolby Laboratories Licensing Corporation.



VOLT	DIODE	D101 102 103SVC211B
FM 98.0MHZ		D151 152SVC321C
		D352MTZ9.1B	D430....MTZ5.6B
AM 999KHZ		D201 301 360 365 402 403	
		408 409 410 411GMA01
		UNLESS OTHER WISE NOTEDDDS442X

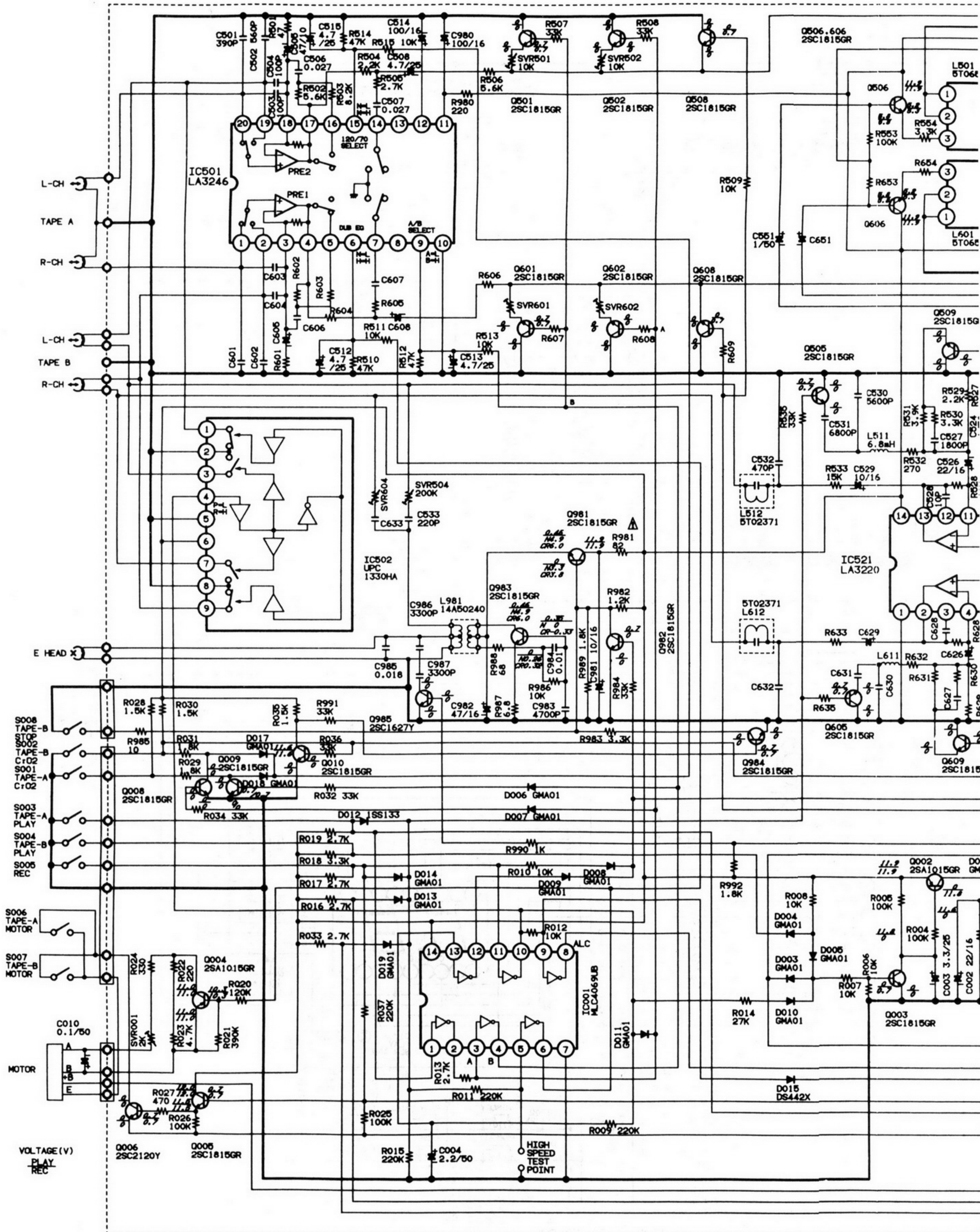
SCHEMATIC DIAGRAM(CD)





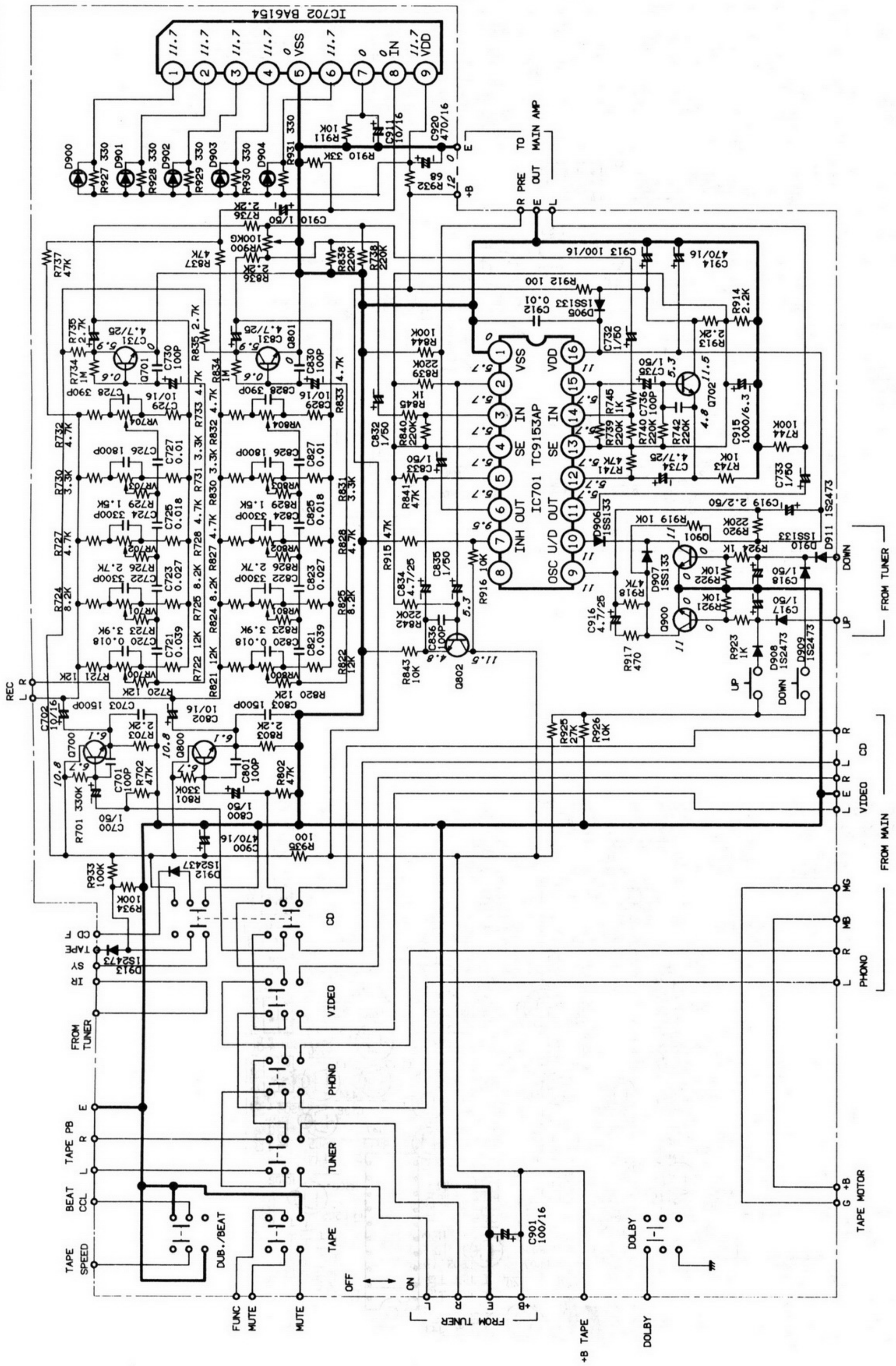
NON-DESIGNATED DIODE GMA01

SCHEMATIC DIAGRAM(DECK)



SCHEMATIC DIAGRAM(PRE-AMP)

- D900-901 2SC1815GR
- D800-802 2SC1815GR
- D700-702 2SC1815GR
- D900-904 56VC70F (RED)



SCHEMATIC DIAGRAM(MAIN-AMP)

