

## Service Manual

## Multi Compact Disc Player

**CP-M303** (U.K.)  
(Germany)  
(Italy)  
(Europe)  
(Spain)



### Specifications

#### CD player

Channels .....	2-channel stereo
Frequency response .....	5 - 20,000 Hz
Signal to noise ratio .....	102 dB
Channel separation .....	94 dB (1 kHz)
Total harmonic distortion .....	0.05% (1 kHz)
Wow and flutter .....	Undetectable
Outputs .....	1.8V/1k ohms

#### Signal format

Sampling frequency .....	44.1 kHz
Quantization .....	16 bits linear/channel
Transmission rate .....	4.32 Mbit/sec.

#### PRODUCT CODE No.

137 052 00	U.K.
137 052 03	Germany
137 052 05	Italy
137 052 07	Europe(MSM)
137 052 08	Spain

#### Pickup

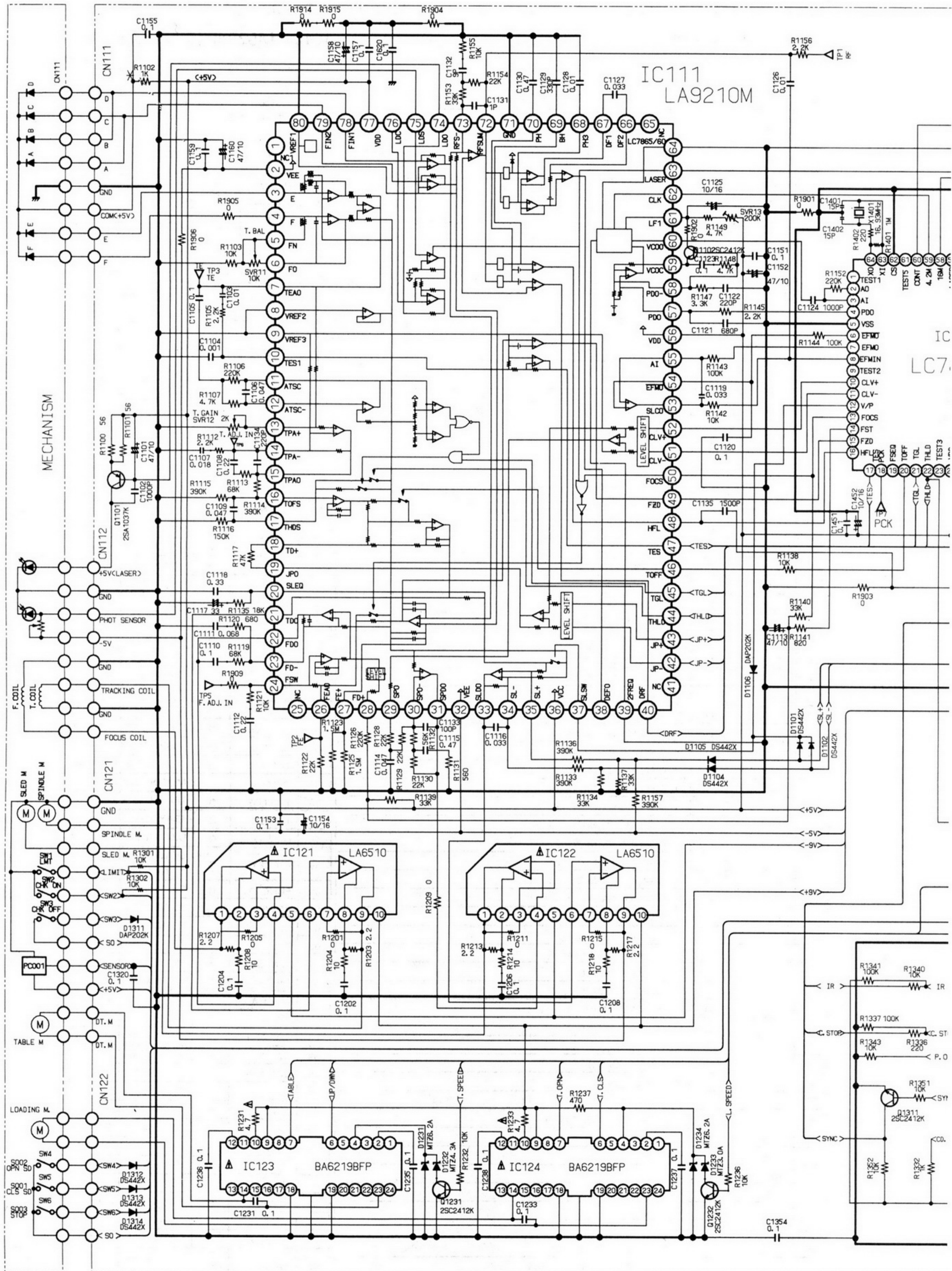
System .....	Light pickup (3-beam)
Light source .....	Semiconductor laser
Wave length .....	790 nm

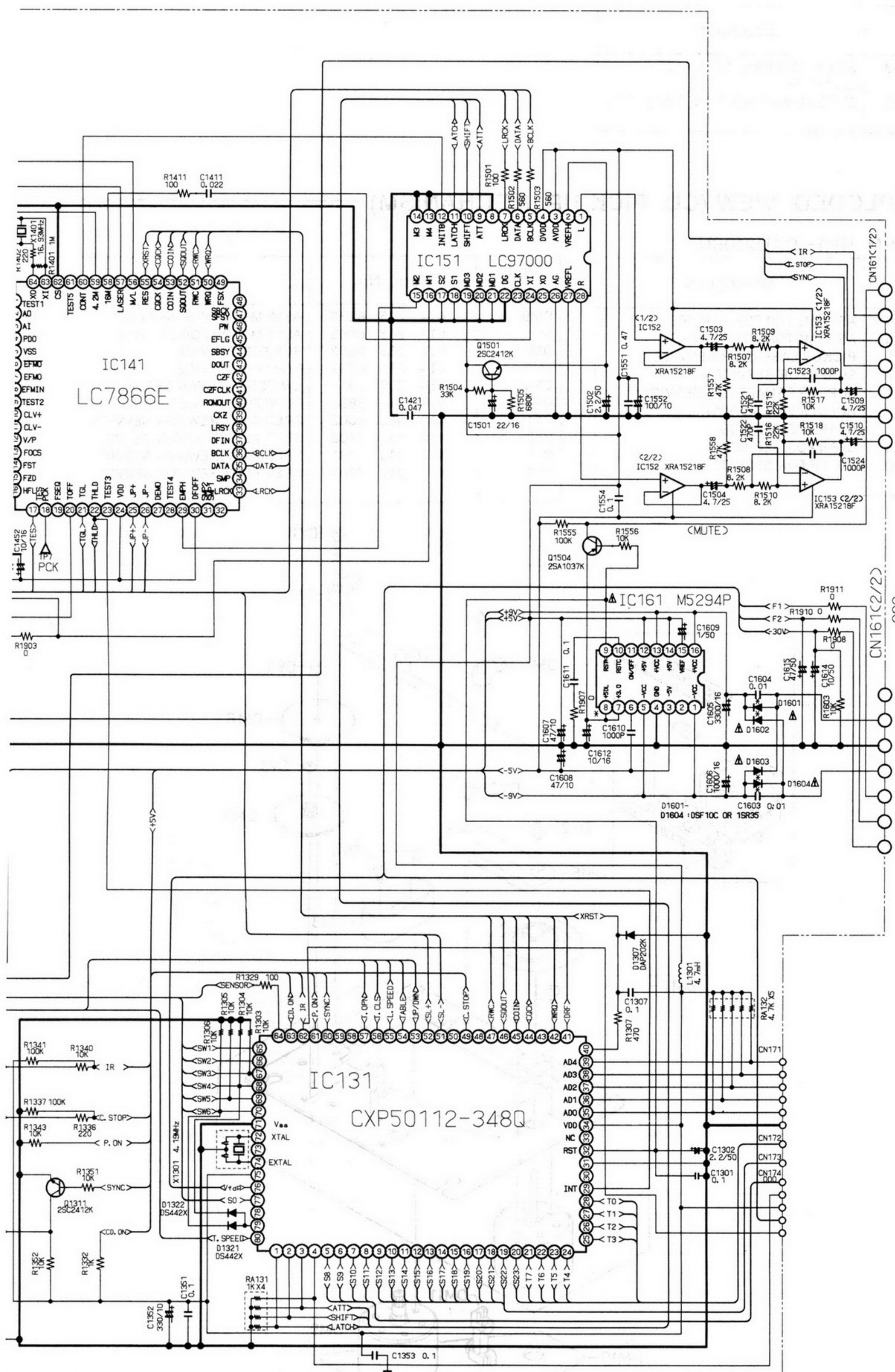
#### General

Power supply .....	AC : 240V, 50HZ (U.K.) AC : 230V, 50HZ (Germany,Italy,Europe,Spain)
Dimensions(approx.) .....	360 (W) × 110 (H) × 370 (D) mm

Specification subject to change without notice.

# SCHEMATIC DIAGRAM (CD)





See page 20

See page 20

# SCHEMATIC DIAGRAM (CD POWER)

