



# Service Manual

## Compact Disc Hi-Fi Stereo System

### DC - SF3 (WEST GERMANY) (ITALY)



### Specifications

**PRODUCT CODE No.**  
 129 344 03 (W.Germany)  
 129 344 04 (Italy)

<b>Tuner</b>	
Frequency range .....	FM : 87.5 - 108 MHz MW : 522 - 1,611 kHz(W.Germany) MW : 526.5 - 1,606.5 kHz(Italy) LW : 144 - 290 kHz(W.Germany) LW : 148.5 - 283.5 kHz(Italy) FM : 2 $\mu$ V (mono)
Sensitivity .....	
<b>Amplifier</b>	
Output power .....	Max. 15W + 15W + 25W (10% THD)
Input sensitivity / impedance .....	PHONO : 7mV / 50k ohms VIDEO : 150mV / 50k ohms MID : 1 kHz +/- 8 dB HIGH : 10 kHz +/- 8 dB
Tone control .....	
<b>Cassette decks</b>	
Track system .....	4-track, 2-channel stereo
Frequency response .....	Chrome tapes : 40 - 15,000 Hz Normal tapes : 40 - 13,000 Hz
Signal to noise ratio .....	58 dB(with DOLBY NR : ON)
Wow and flutter .....	0.12% (WRMS)
Fast forward / rewind time .....	Approx. 120 sec. (C-60)
<b>CD player</b>	
Channels .....	2-channel stereo, L / R in phase output
Sampling frequency .....	44.1 kHz
D / A conversion .....	16-bit linear twin D / A converter
Pick-up .....	Optical 3-beam semiconductor laser
Frequency response .....	5 - 20,000 Hz
Total harmonic distortion .....	0.03% (1 kHz)
Signal to noise ratio .....	90 dB
Wow and flutter .....	Below measurable limits

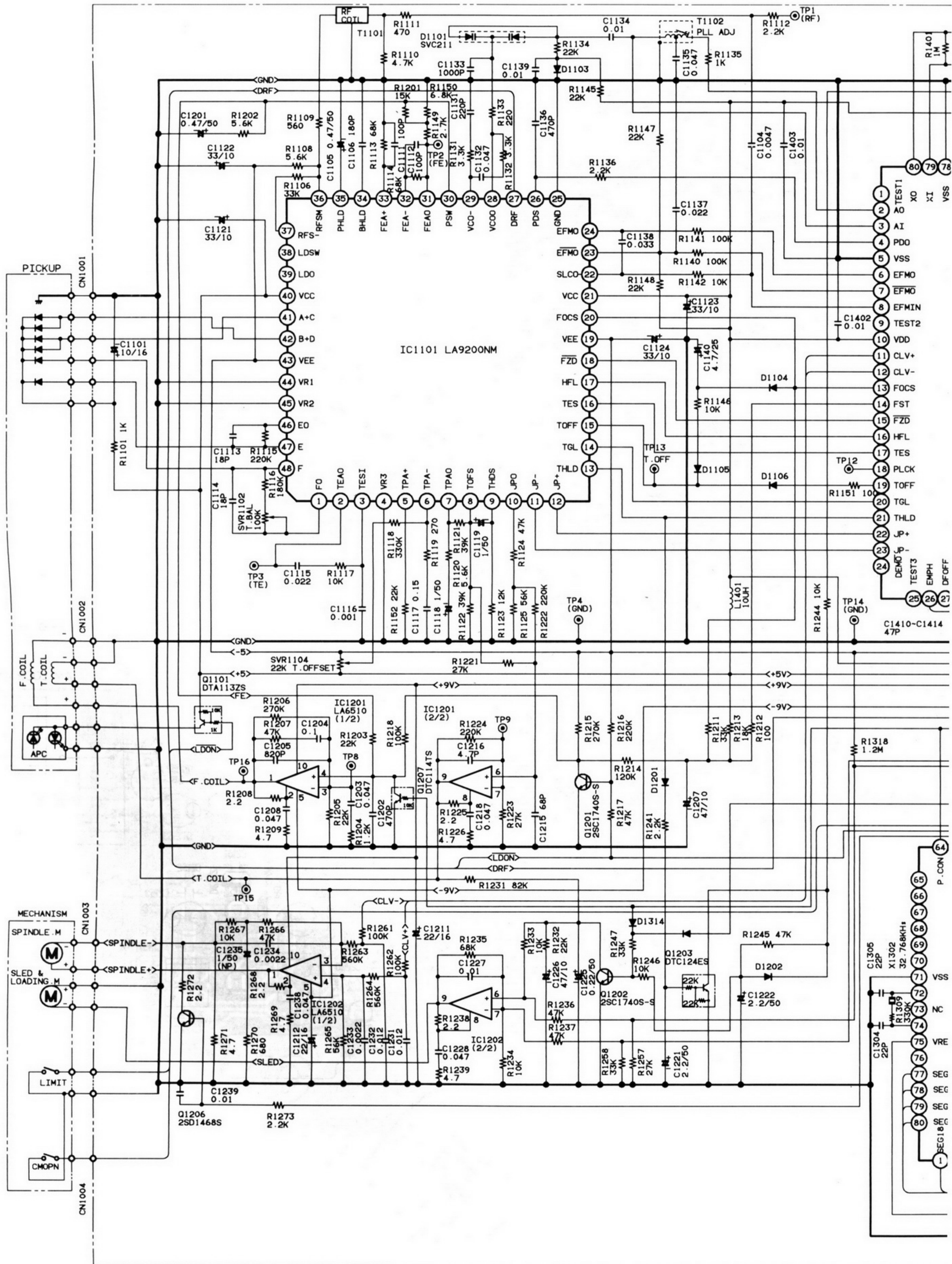
<b>General</b>	
Power requirements .....	AC : 220V, 50HZ
Power consumption .....	90W
Dimensions(approx.) .....	360 (W) x 208 (H) x 330 (D) mm
Weight(approx.) .....	7.8 kg
<b>Speaker systems</b>	
Overall frequency response .....	50 - 20,000Hz
<b>(L / R speakers)</b>	
Type .....	Airtight full range dual speakers
Unit used .....	8 cm cone type x 2 (integrated)
Power handling capacity ..	Max. 30W (peak)
Nominal impedance .....	8 ohms
Dimensions(approx.) .....	102 (W) x 208 (H) x 250 (D) mm
Weight(approx.) .....	2 kg (per speaker)
<b>(Dynamic bass speaker)</b>	
Type .....	Bass reflex
Unit used .....	12 cm cone type
Power handling capacity ..	Max. 50W (peak)
Nominal impedance .....	4 ohms
Dimensions(approx.) .....	150 (W) x 570 (H) x 320 (D) mm
Weight(approx.) .....	4.6 kg
<b>RB-SF3 remote controller</b>	
Power source .....	DC : 3 V "R6/HP 7" battery, x 2
Dimensions(approx.) .....	60 (W) x 18 (H) x 190 (D) mm
Weight(approx.) .....	50 g without batteries

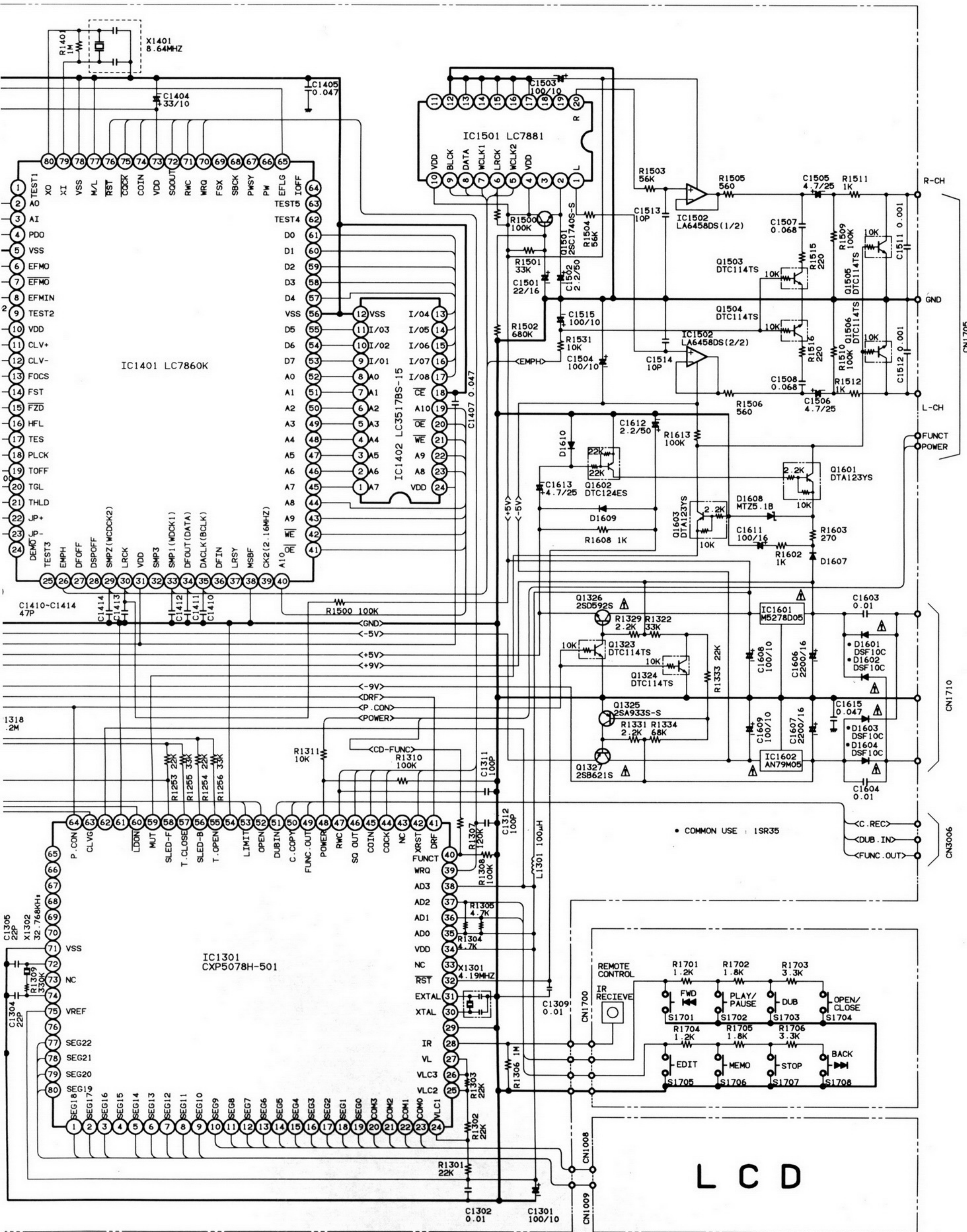
Dolby noise reduction manufactured under license from Dolby Laboratories Licensing Corporation.  
 "DOLBY" and the double-D symbol are trademarks of Dolby Laboratories Licensing Corporation.

Specification subject to change without notice.

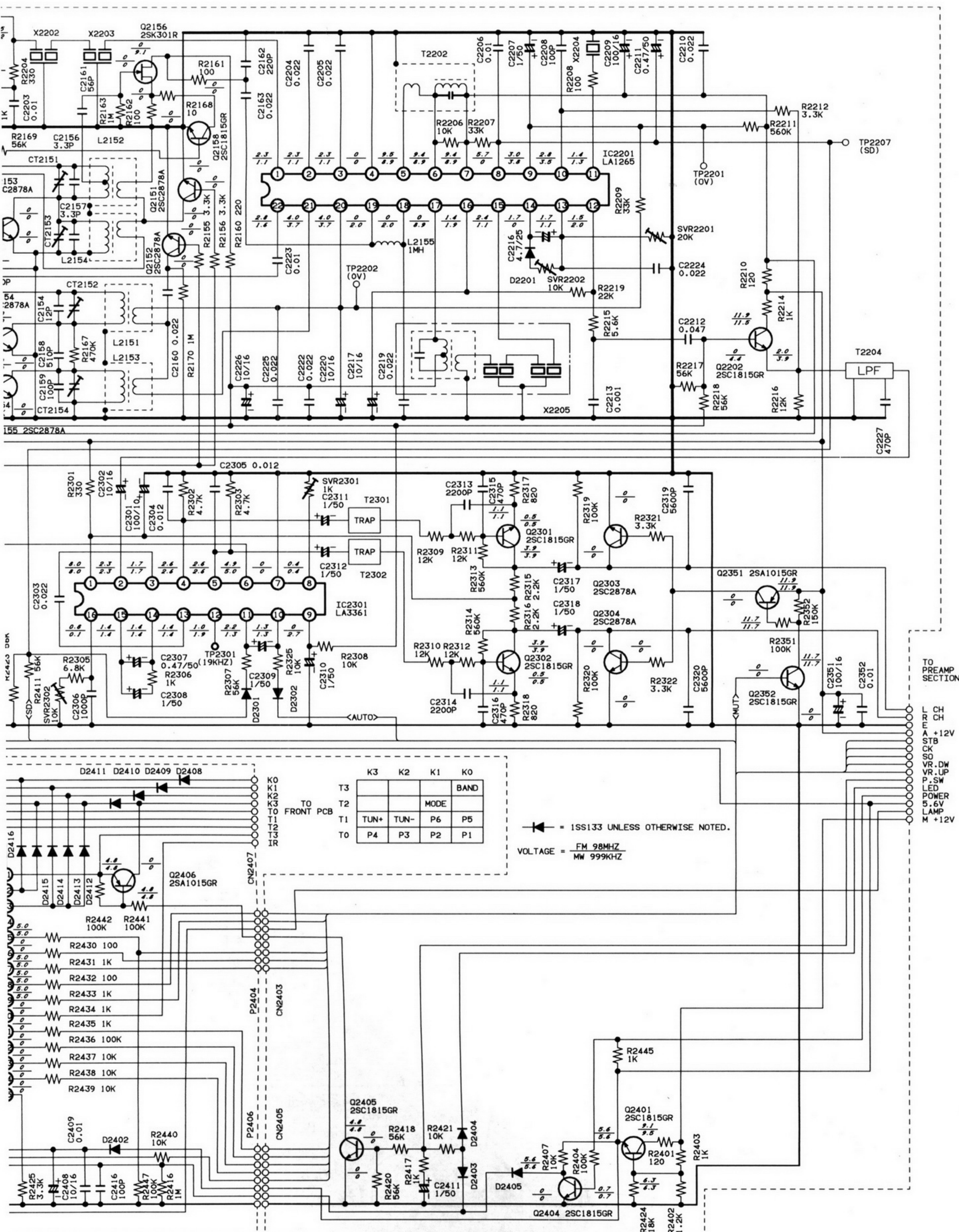
REFERENCE No. WM-580501

# SCHEMATIC DIAGRAM (CD)









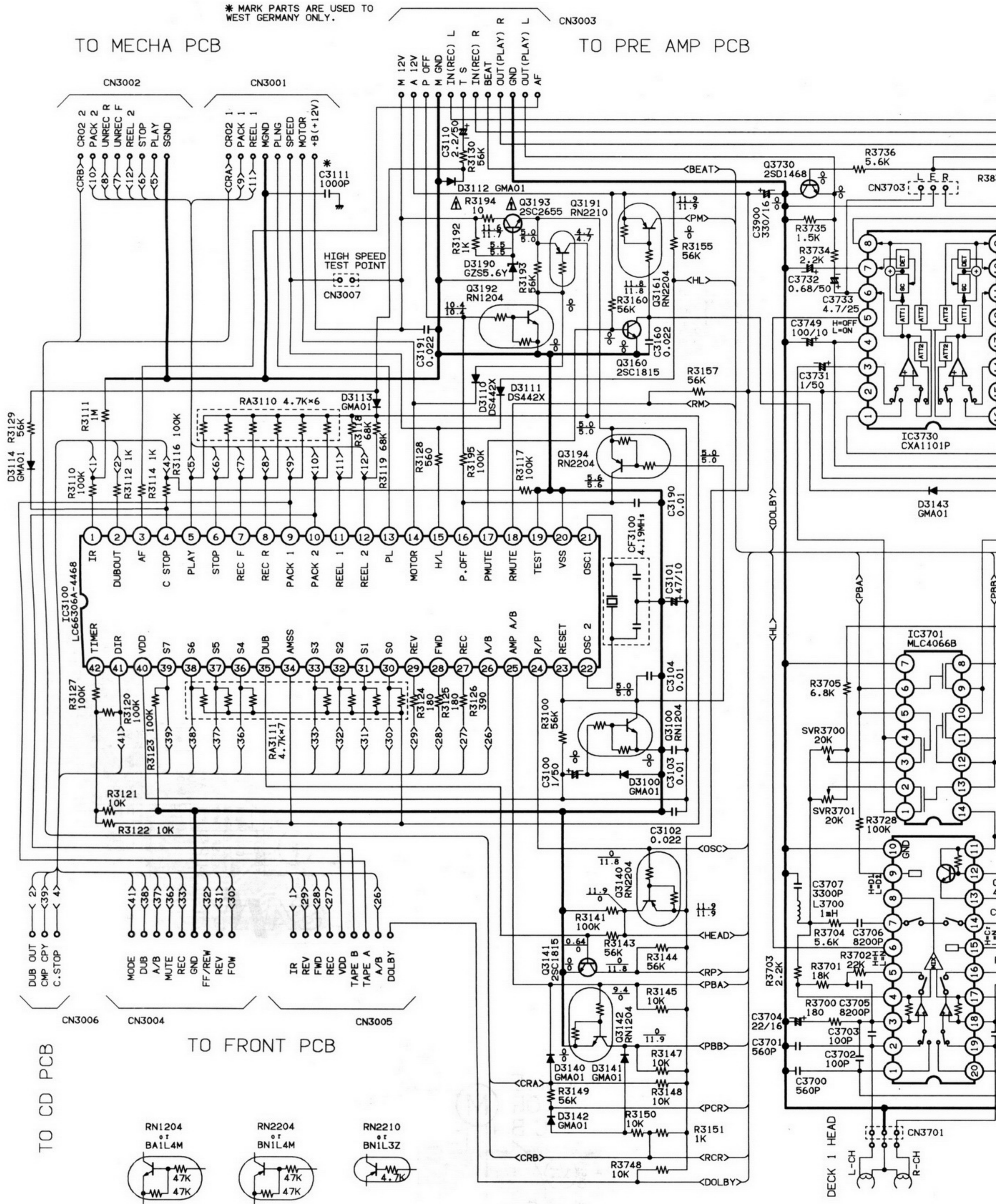
	K3	K2	K1	K0
T3				BAND
T2			MODE	
T1	TUN+	TUN-	P6	P5
T0	P4	P3	P2	P1

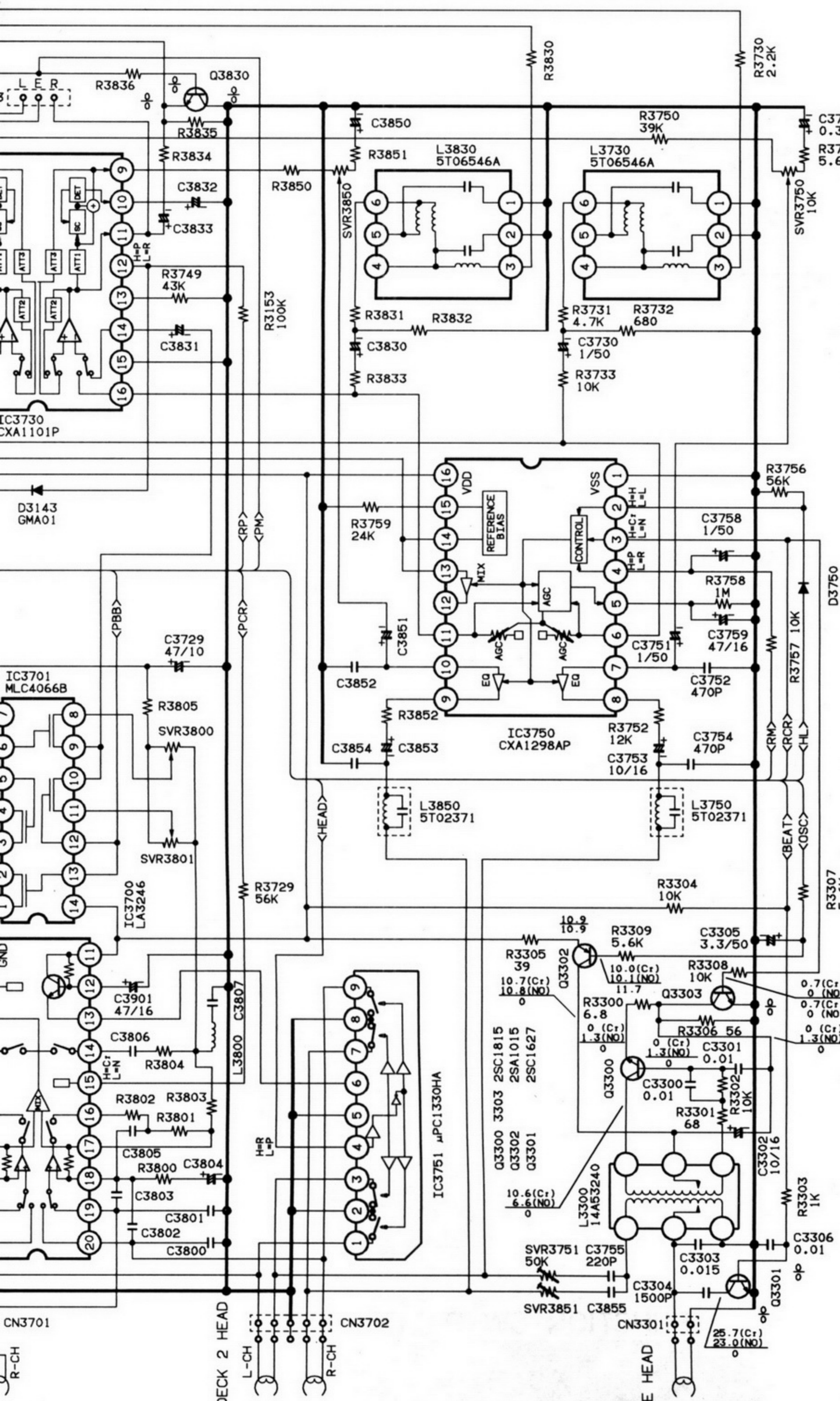
▲ = 1SS133 UNLESS OTHERWISE NOTED.  
 VOLTAGE = FM 98MHZ  
 MW 999KHZ

TO PREAMP SECTION  
 CH  
 CH  
 A +12V  
 STB  
 CK  
 SO  
 VR.DW  
 P.SW  
 LED  
 POWER  
 5.6V  
 LAMP  
 M +12V

# SCHEMATIC DIAGRAM (TAPE DECK-AMP.)

\* MARK PARTS ARE USED TO WEST GERMANY ONLY.





IC3700

NO.	PLAY	REC	OTHER
1	0	0	
2	0	0	
3	0.56	0.56	
4	4.8	4.8	
5	4.8	4.8	
6	0.72	0.69	6.1 (HIDUB)
7	0	0	
8	4.8	4.8	
9	0	6.6	
10	0	0	
11	11.9	11.9	
12	11.8	11.8	
13	10.8	10.8	
14	0	0	
15	0.56	0.56	6.8 (CRO2)
16	4.7	4.7	
17	4.7	4.7	
18	0.56	0.56	
19	0	0	
20	0	0	

IC3100

NO.	PLAY	REC
1	4.6	4.6
2	0	0
3	0	0
4	0	0
5	0	0
6	4.7	4.6
7	0	0
8	0	0
9	4.7	4.7
10	0	0
11	4.3	4.3
12	-	-
13	11.6	11.6
14	0	0
15	0	0
16	5.6	5.6
17	0	0
18	11.8	0
19	0	0
20	0	0
21	2.1	2.1
22	2.4	2.5
23	5.0	5.0
24	11.8	0
25	0	10.1
26	0	0
27	3.3	0
28	0.28	0.25
29	3.3	3.2
30	4.7	4.7
31	4.7	4.7
32	4.7	4.7
33	4.7	4.7
34	4.9	4.9
35	0	0.64
36	4.7	4.7
37	4.7	4.7
38	4.7	4.7
39	0	0
40	4.9	4.9
41	4.7	4.7
42	2.4	2.4

IC3701

NO.	PLAY	REC	OTHER
1	0	0	
2	4.8	4.8	
3	4.8	4.8	
4	4.8	4.8	
5	0	9.4	9.4 (DECK 1)
6	0	9.4	9.4 (PLAY)
7	0	0	
8	4.7	4.7	
9	4.7	4.7	
10	4.7	4.7	
11	4.7	4.7	
12	11.8	0	0 (DECK 1)
13	10.8	0	0 (PLAY)
14	11.9	11.9	

IC3730

NO.	PLAY	REC	OTHER
1	6.0	6.0	
2	11.9	11.9	
3	6.0	6.0	
4	6.0	6.0	
5	11.9	11.9	0 (DOLBY ON)
6	6.1	6.1	
7	0.4	0.4	
8	6.1	6.1	
9	6.1	6.1	
10	0.4	0.4	
11	6.1	6.1	
12	11.7	0	
13	1.2	1.2	
14	6.0	6.0	
15	0	0	
16	6.0	6.0	

IC3751

NO.	PLAY	REC
1	0	0
2	0	0
3	0	0
4	0	11.8
5	0	0
6	10.9	10.9
7	0	0
8	0	0
9	0	0

IC3750

NO.	PLAY	REC	OTHER
1	0	0	
2	0.36	0.35	5.6 (HIDUB)
3	0	0	10.0 (CRO2)
4	11.8	0	
5	0	0	0.62 (ALC DOING)
6	6.1	6.1	
7	6.0	6.0	
8	5.9	5.8	
9	5.9	5.8	
10	6.0	6.0	
11	6.1	6.1	
12	6.1	6.1	
13	6.1	6.1	
14	6.1	6.1	
15	1.2	1.2	
16	11.9	11.9	

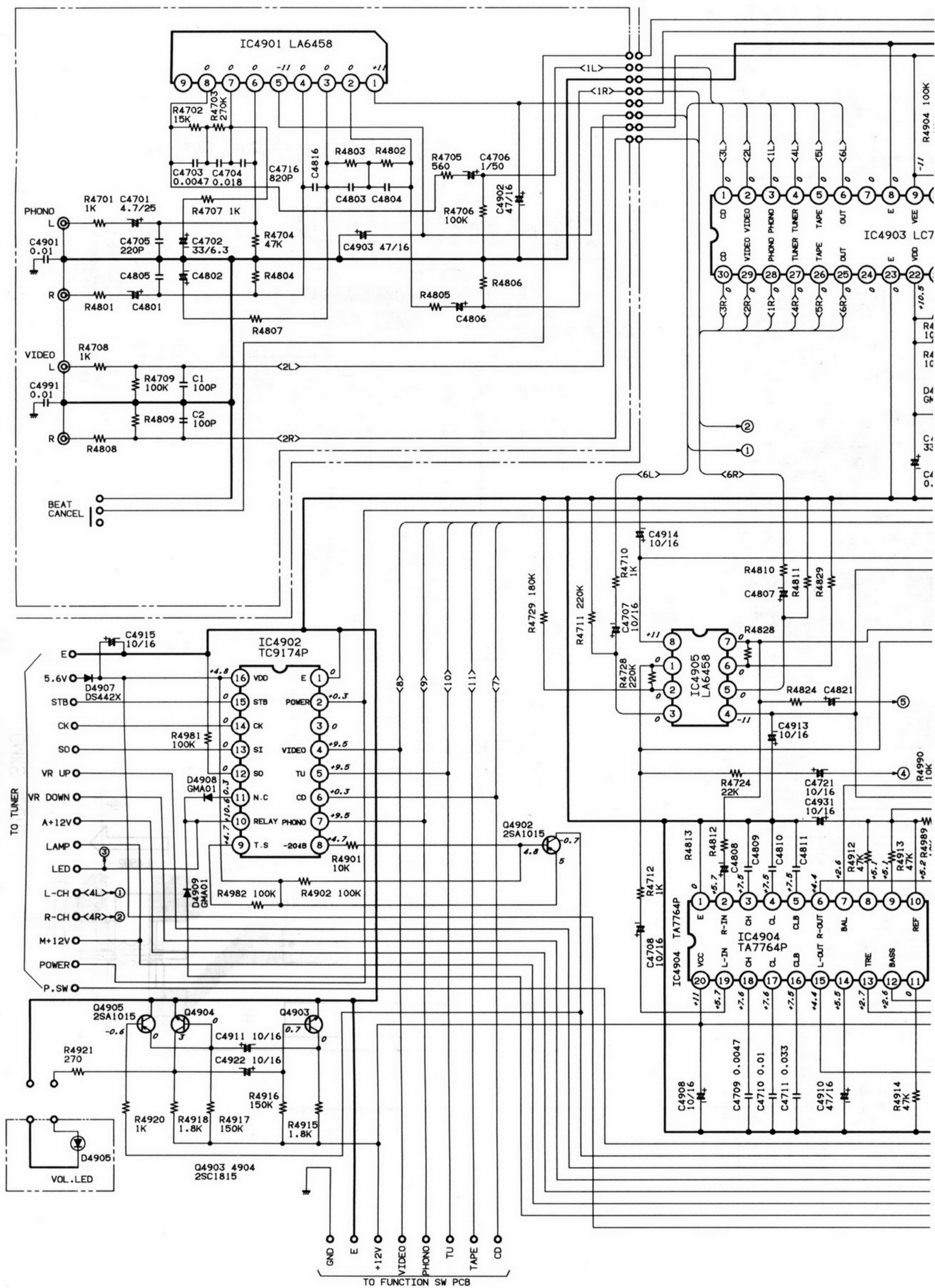
VOLTAGE (V)  
DECK 2 REC  
DECK 2 PLAY

COMMON USE

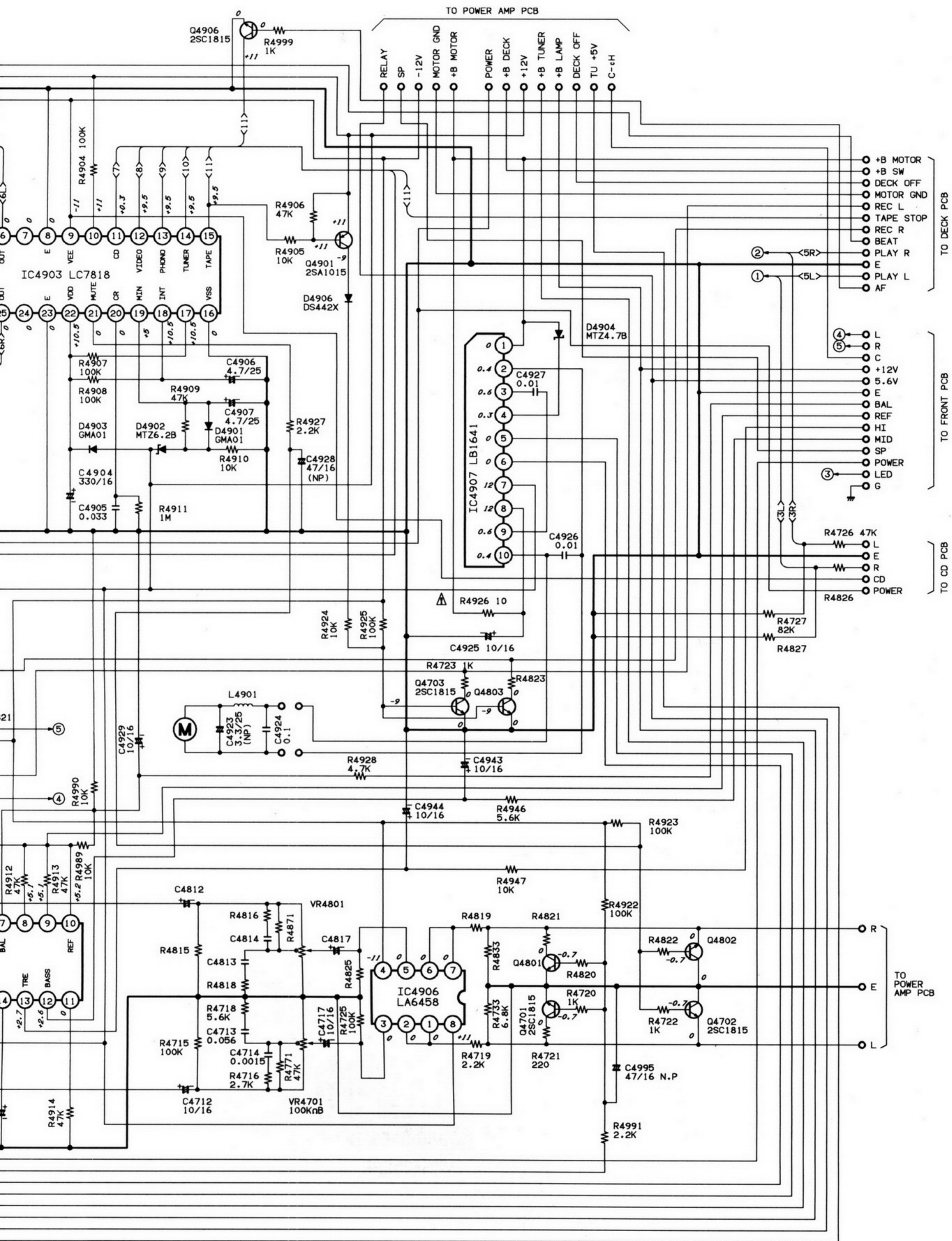
- Q3141 3160 3300 3303
- 2SC1815 or 2SC945
- Q3302 2SA1015 or 2SA733
- Q3100 3142 3192
- RN1204 or BA1L4M
- Q3140 3161 3194
- RN2204 or BN1L4M
- Q3191 RN2210 or BN1L3Z
- D3100 3112 3113 3114
- 3140 3141 3142 3143
- 3750
- GMA01 or 1SS133
- D3110 3111
- DS442X or 1S2473
- D3190
- GZS5.6Y or MTZ5.6C
- IC3701 MLC4066B or TC4066BP or BU4066B or PD4066BC

\* MARK PARTS ARE USED TO WEST GERMANY ONLY.

# SCHEMATIC DIAGRAM (PRE-AMP.)









# SCHEMATIC DIAGRAM (FRONT)

