



Service Manual

CD Stereo Sound System

DC - X1000MD (GERMANY)



Specifications

PRODUCT CODE No.
129 352 03

Note :

The below mentioned specifications are mainly based on the IHF measurements standard. They can therefore not directly be compared with specifications based on the DIN standard or other standards.

 tuner section		General	
Frequency range	FM : 87.5 - 108 MHz MW : 522 - 1,611 kHz LW : 144 - 290 kHz	Power output	40W x 2(at 8 ohms, 10%distortion)
		Inputs	PHONO : 47k ohm (5mV) VIDEO : 47k ohms (280mV)
		Outputs	SPEAKERS : 8 ohms HEADPHONES : 8 ohms
Cassette deck section		Power requirements	AC : 230V, 50HZ
Recording system	AC bias,4-track, stereo	Dimensions(approx.)	360 (W) x 328 (D) x 390 (H) mm
Fast forward / rewind time	Approx. 120 sec. (C-60)		
CD player		RB-X1000 remote controller	
Channels	2-channel stereo	Power source	DC : 3 V "R6/AA/SUM-3" battery x 2
Frequency response	20 - 20,000 Hz	Dimensions(approx.)	63 (W) x 18 (D) x 175 (H) mm
Signal to noise ratio	95 dB		
Channel separation	90 dB (1 kHz)		
Total harmonic distortion	0.13% (1 kHz)		
Wow and flutter	Undetectable		

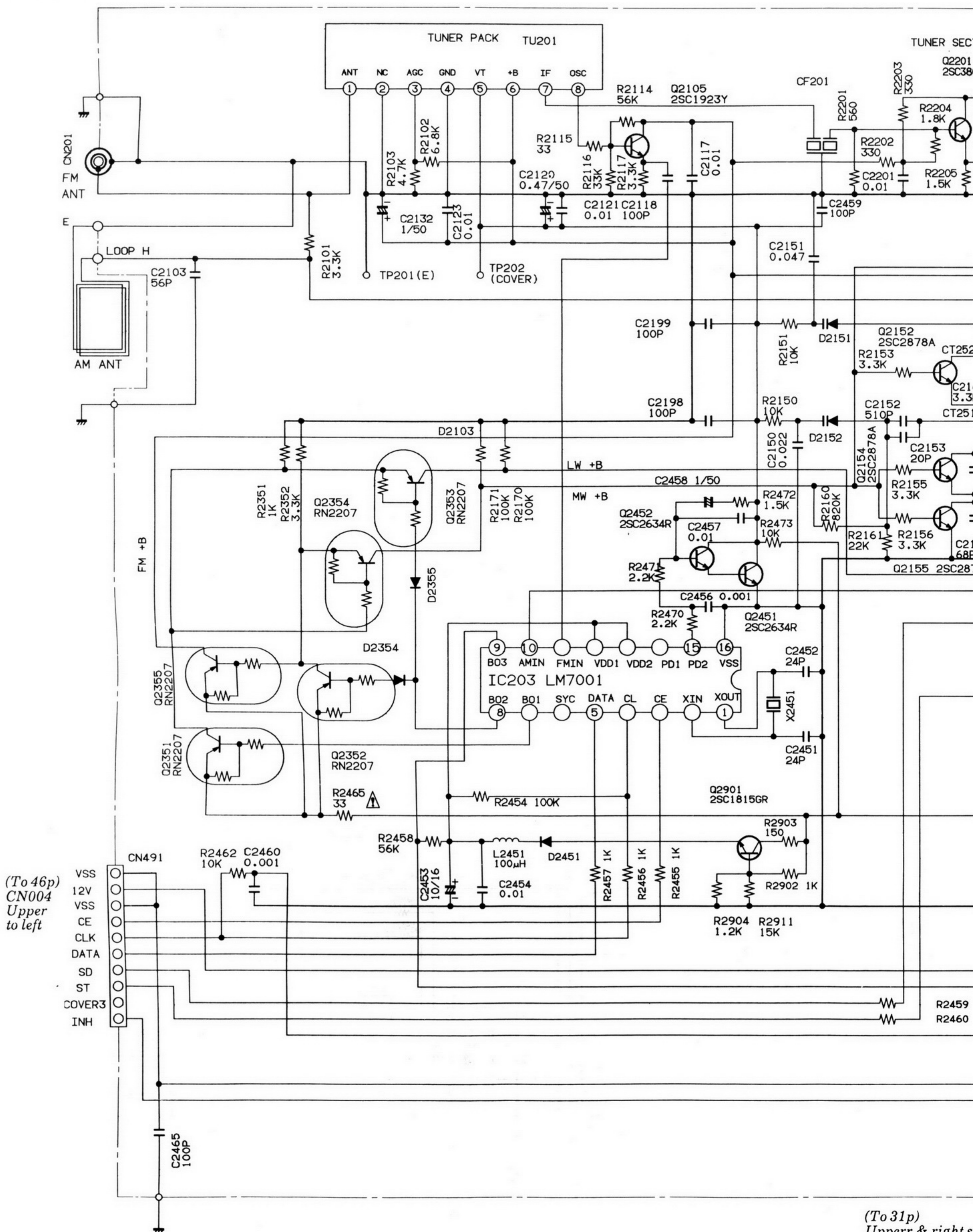
Note :
The POWER switch is mounted on the secondary side. The unit is not disconnected from AC-power, even when switched off.

Dolby noise reduction manufactured under license from Dolby Laboratories Licensing Corporation.
"DOLBY" and the double-D symbol are trademarks of Dolby Laboratories Licensing Corporation.

Specification subject to change without notice.

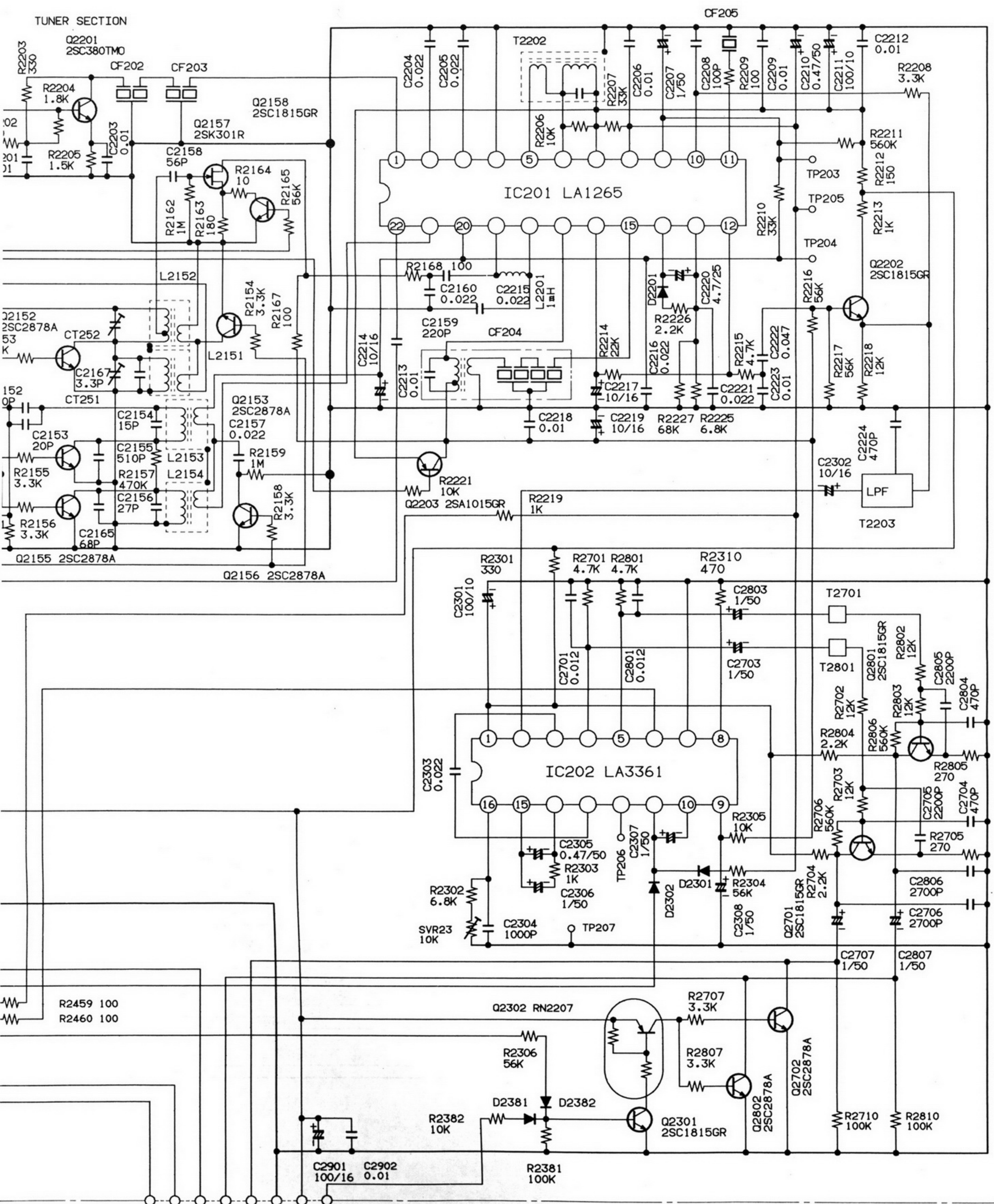
REFERENCE No. WM-580625

SCHEMATIC DIAGRAM (TUNER)



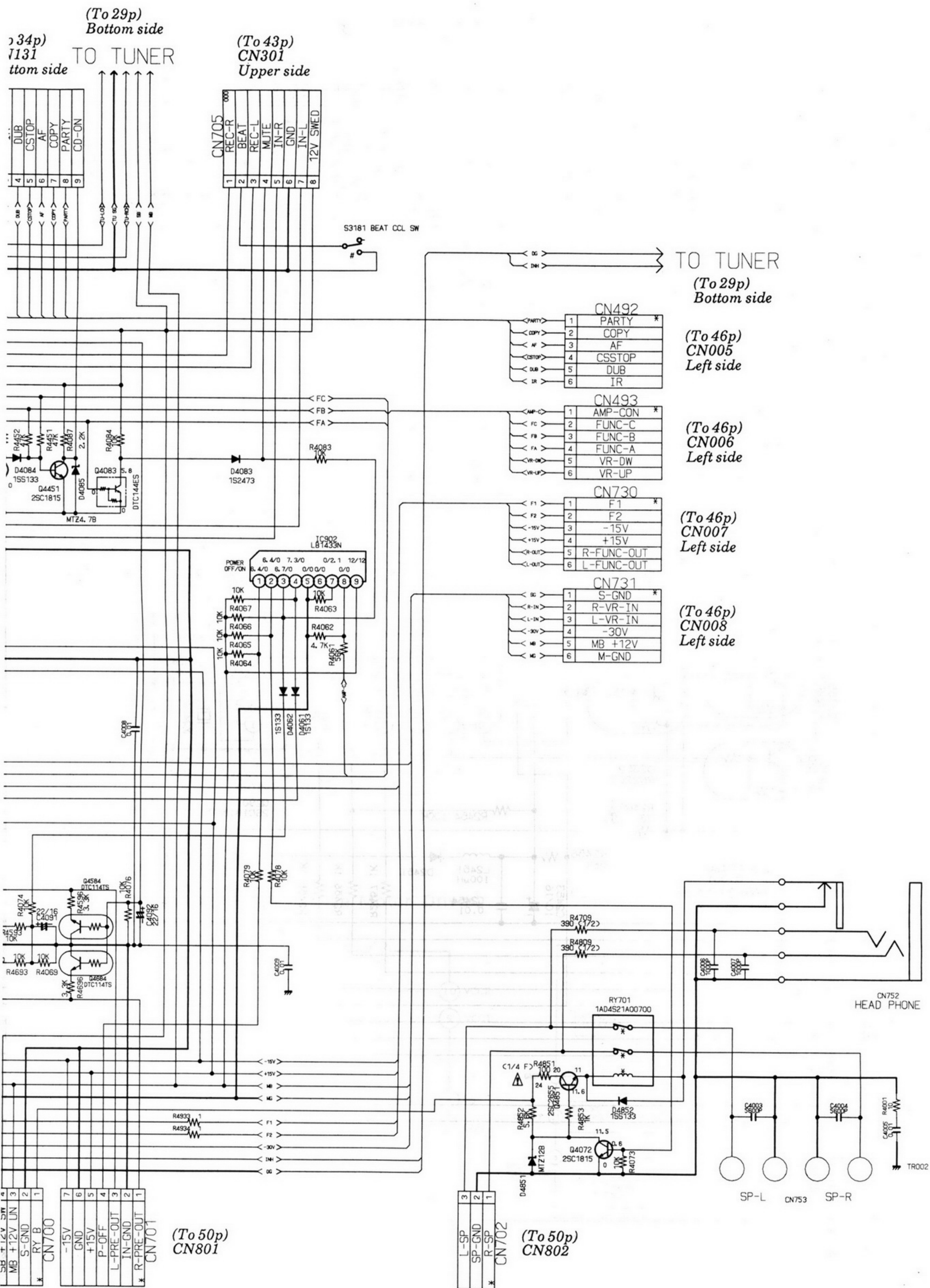
(To 46p)
CN004
Upper to left

(To 31p)
Upperr & right s
(common PCB)

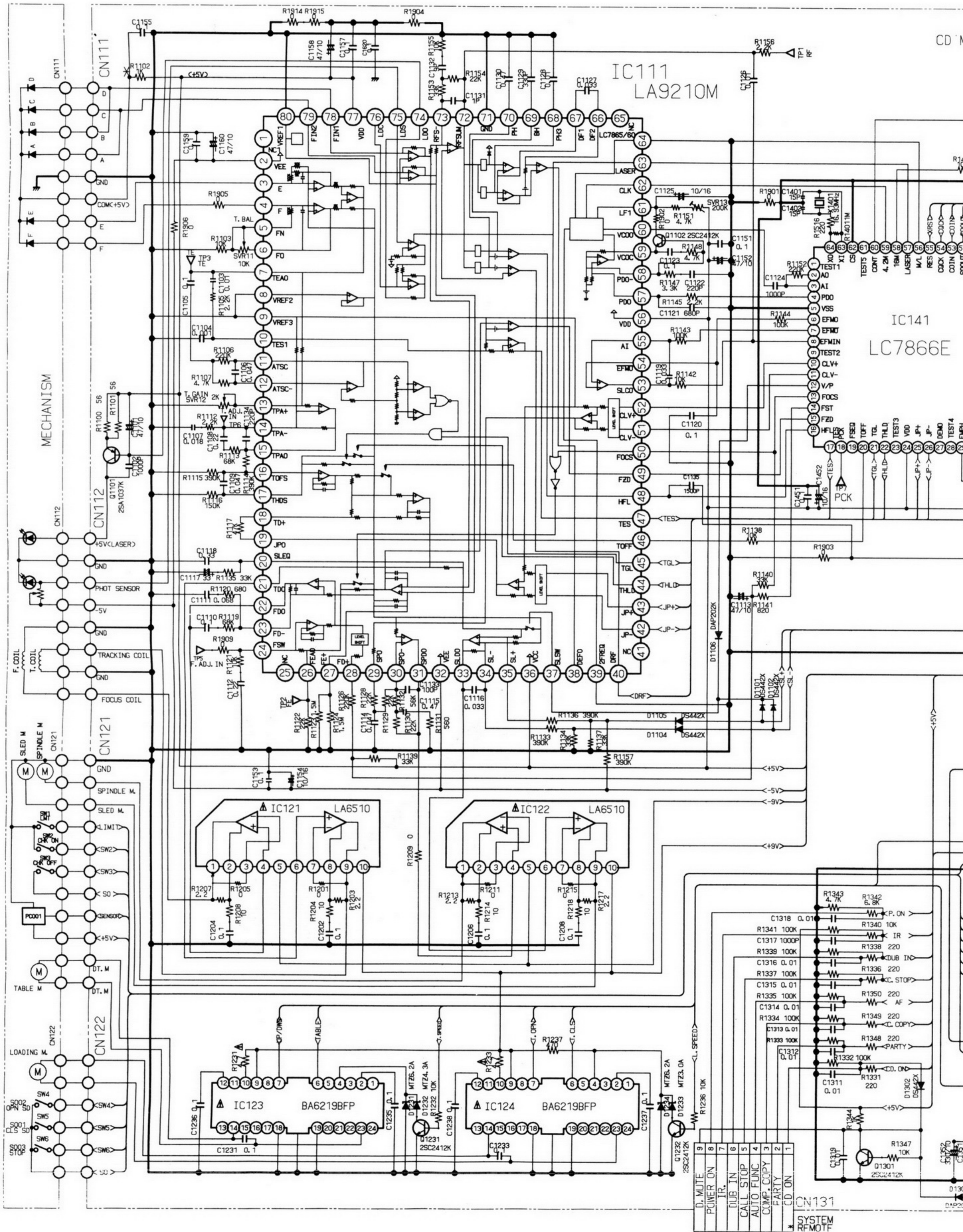


to 31p)
 pperr & right side
 ommon PCB)

INH VSS
 UN 12V SWD
 R L E
 16X SWD
 DISCO MUTE
 TO AMP SECTION



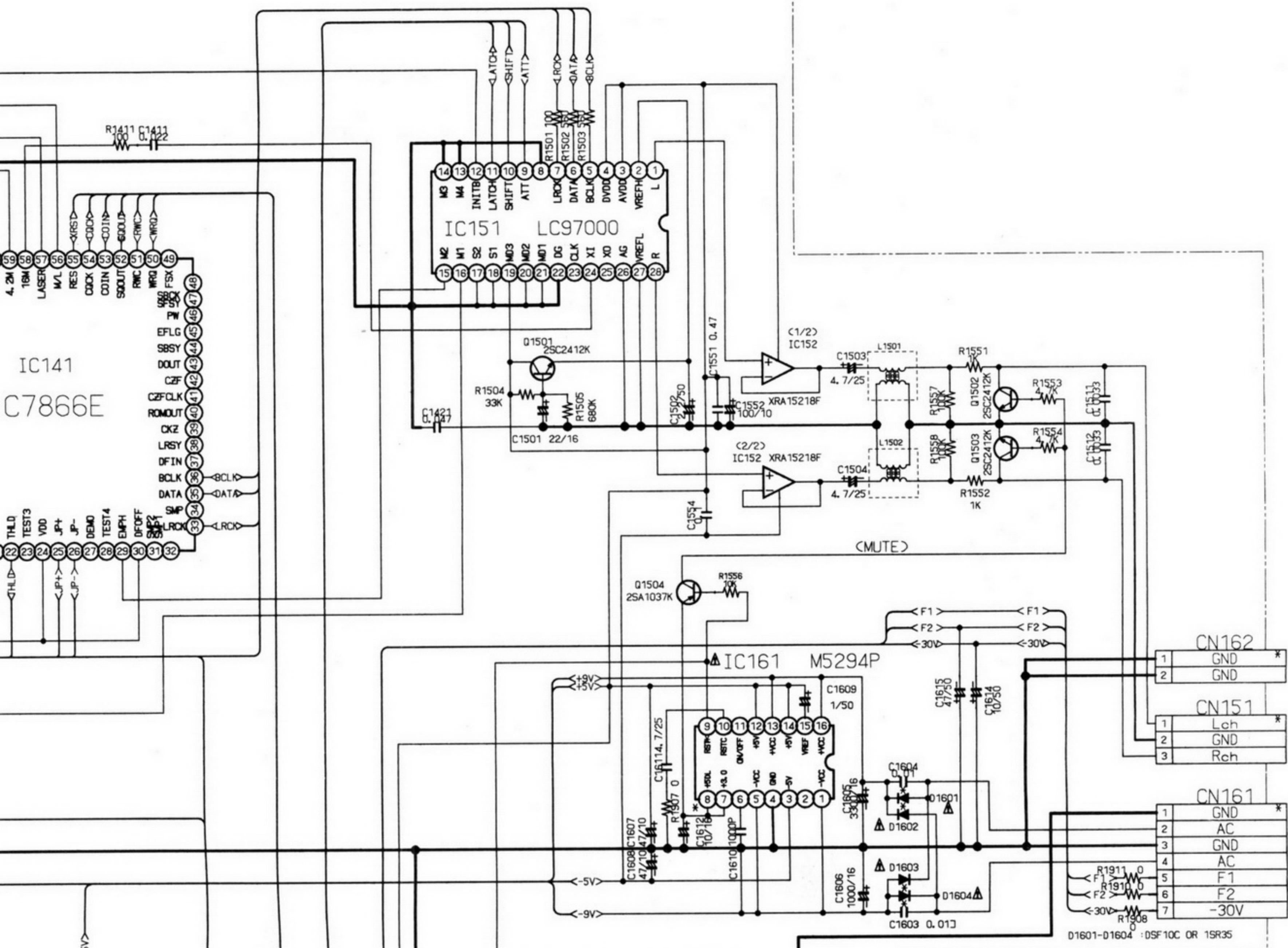
SCHEMATIC DIAGRAM (CD)



(To 31p)

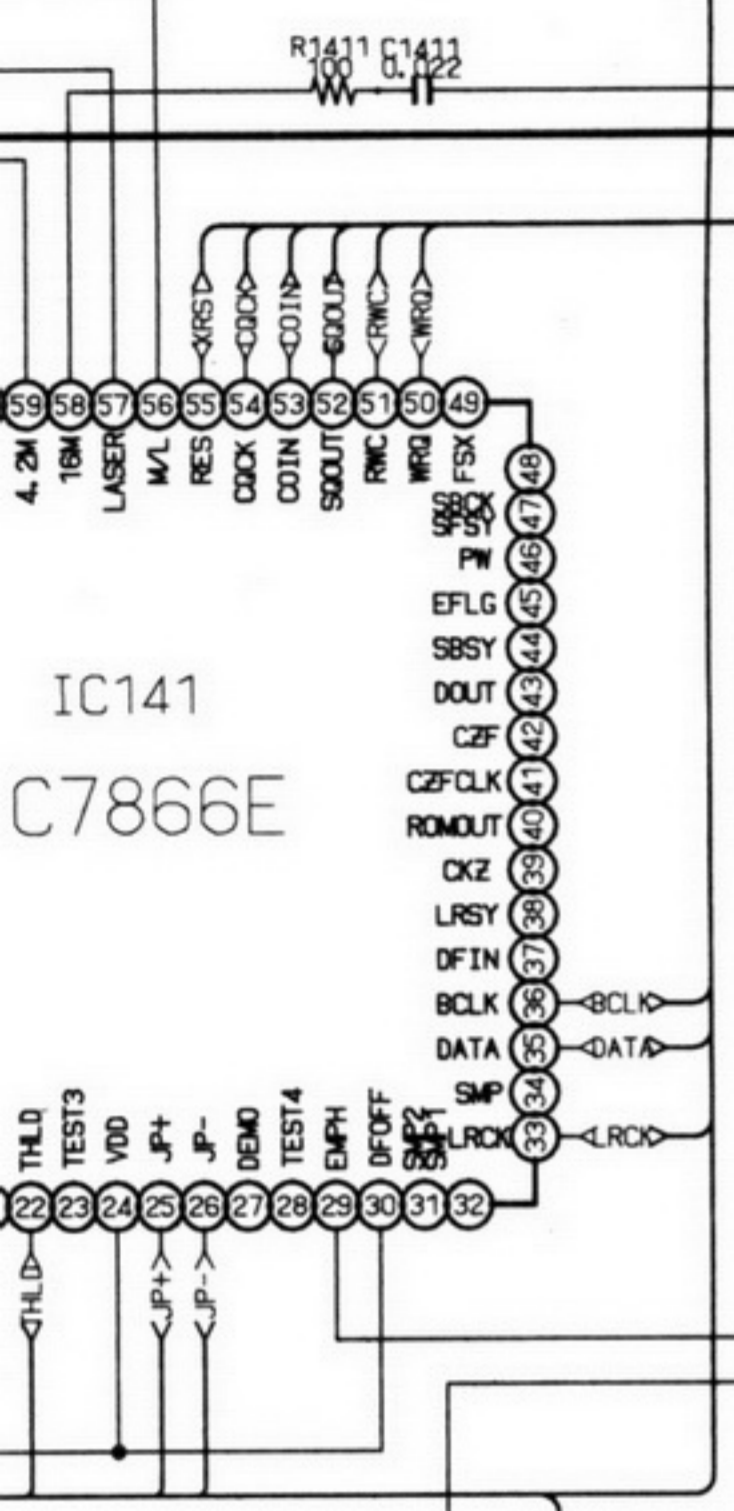
CN710 Upper side

CD MAIN

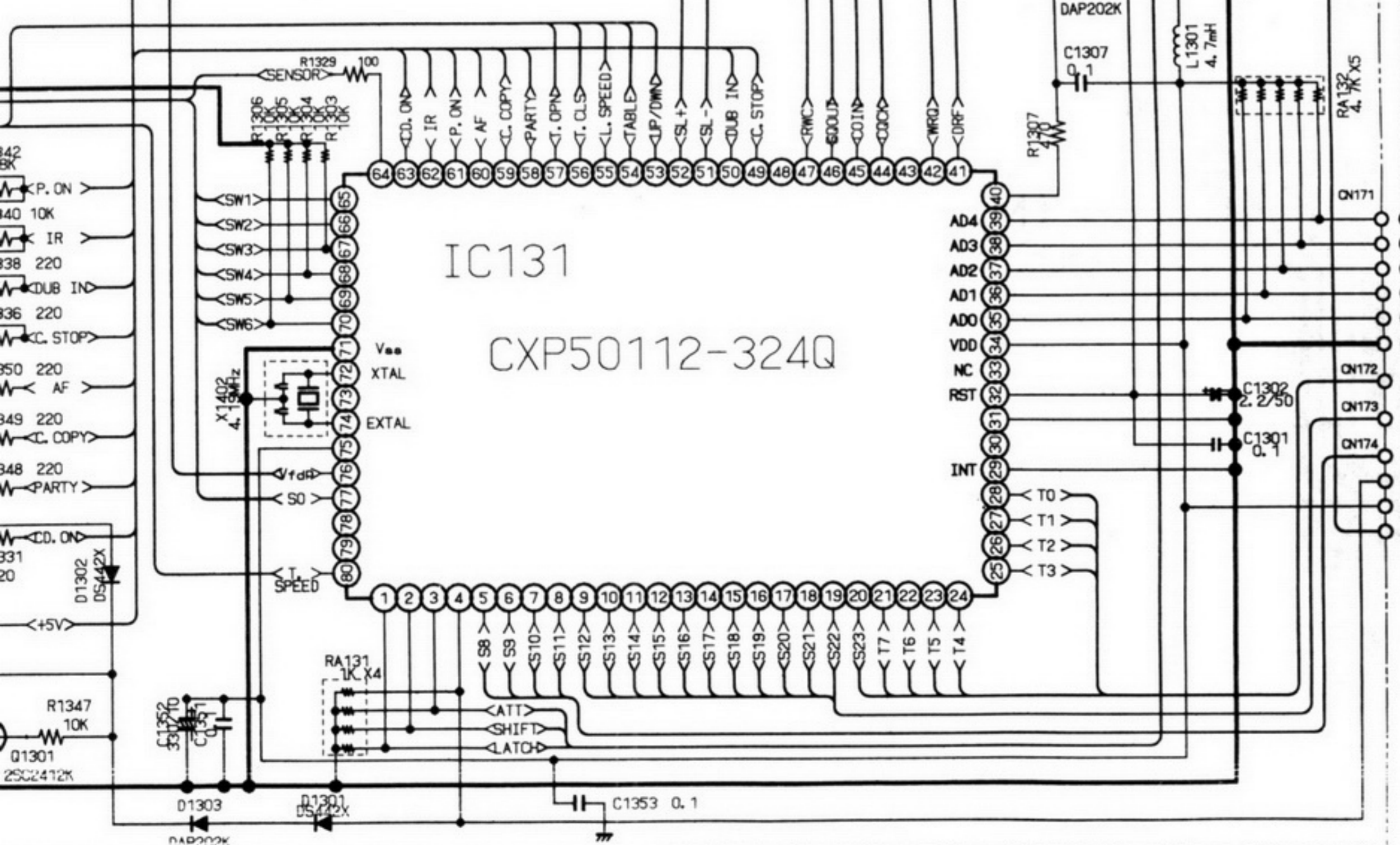
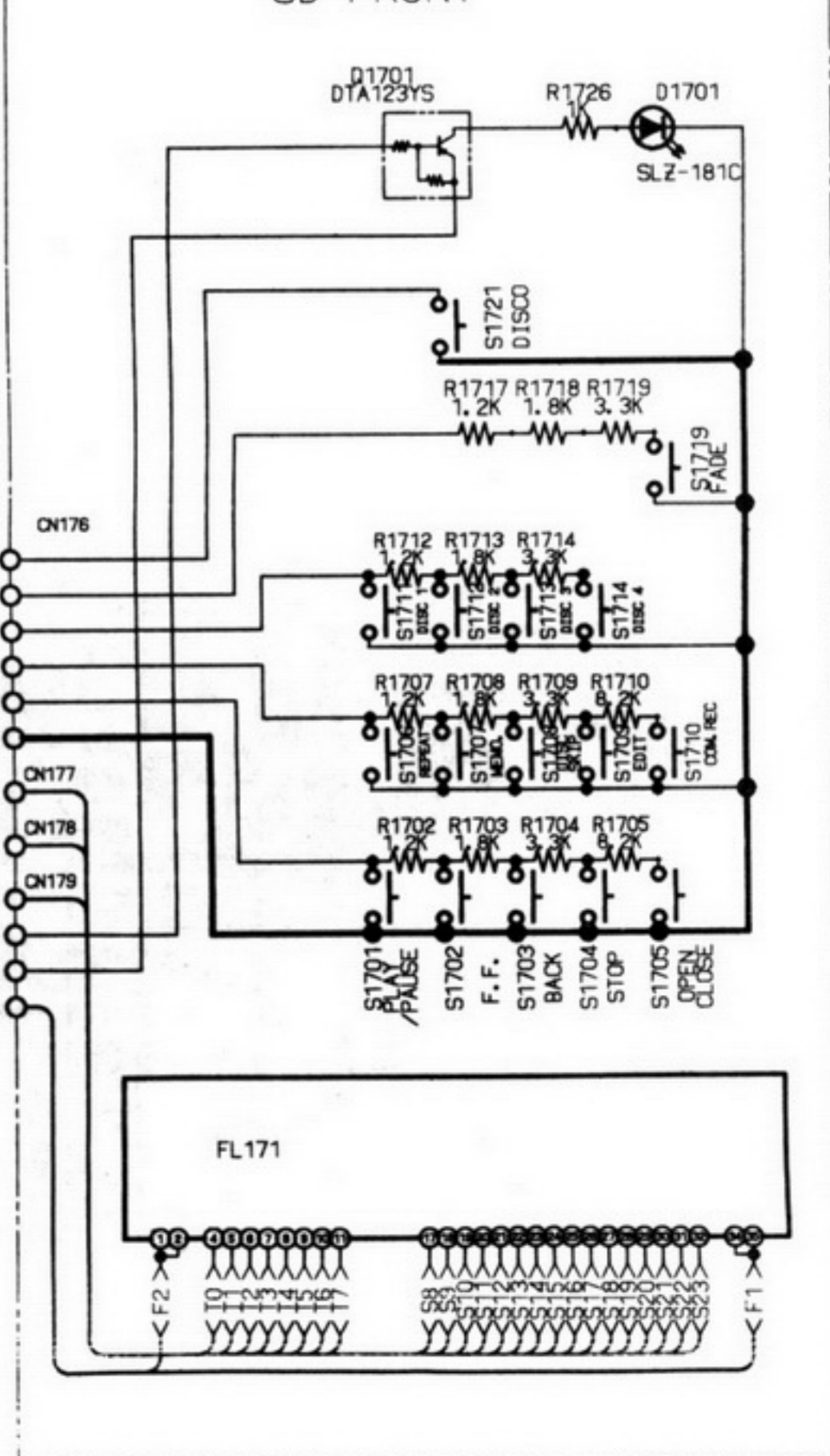


- CN162 (To 50p) CN813
- CN151 (To 30p) CN711 Upper side
- CN161 (To 50p) CN812 Left side

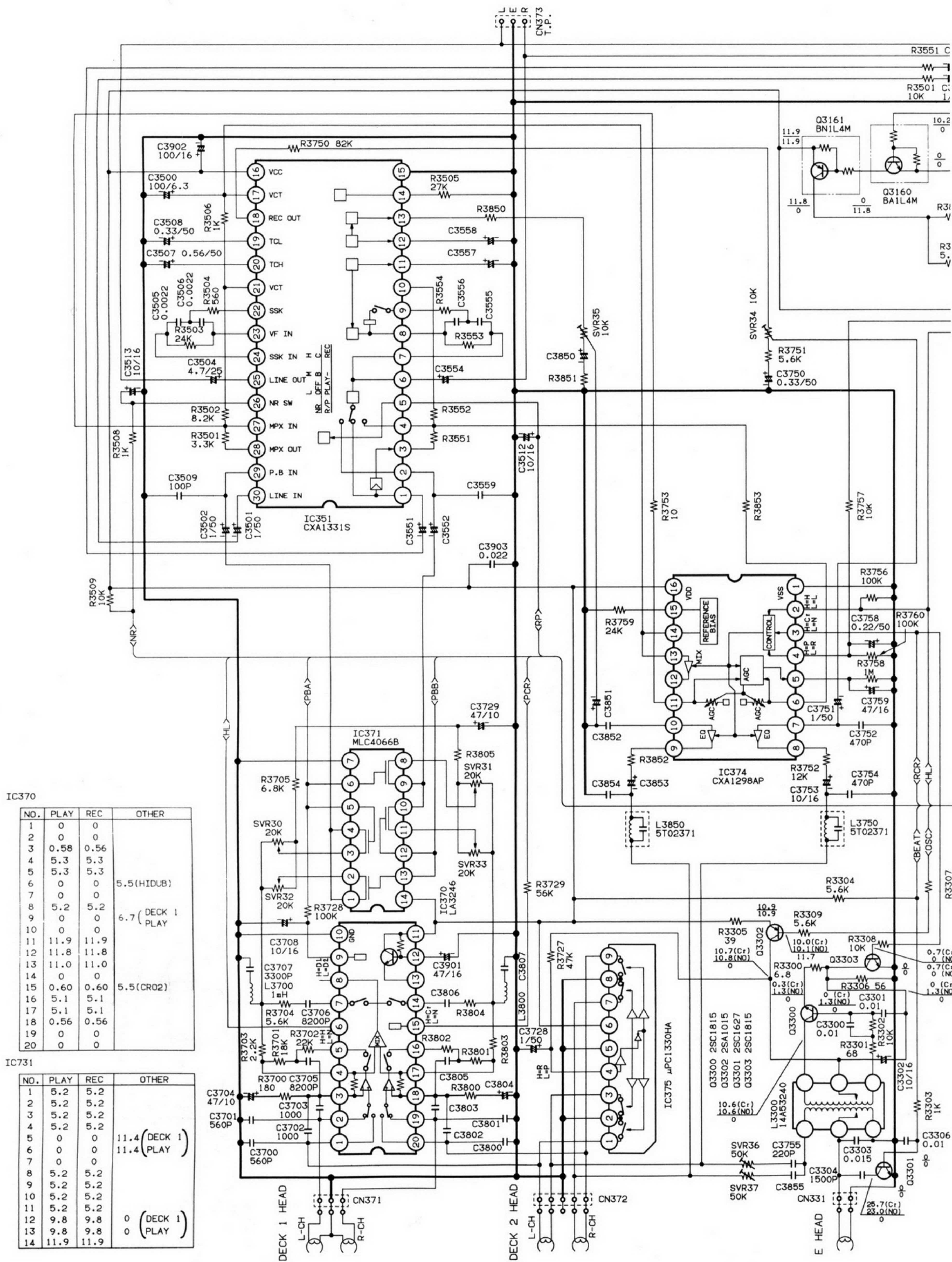
IC141 C7866E



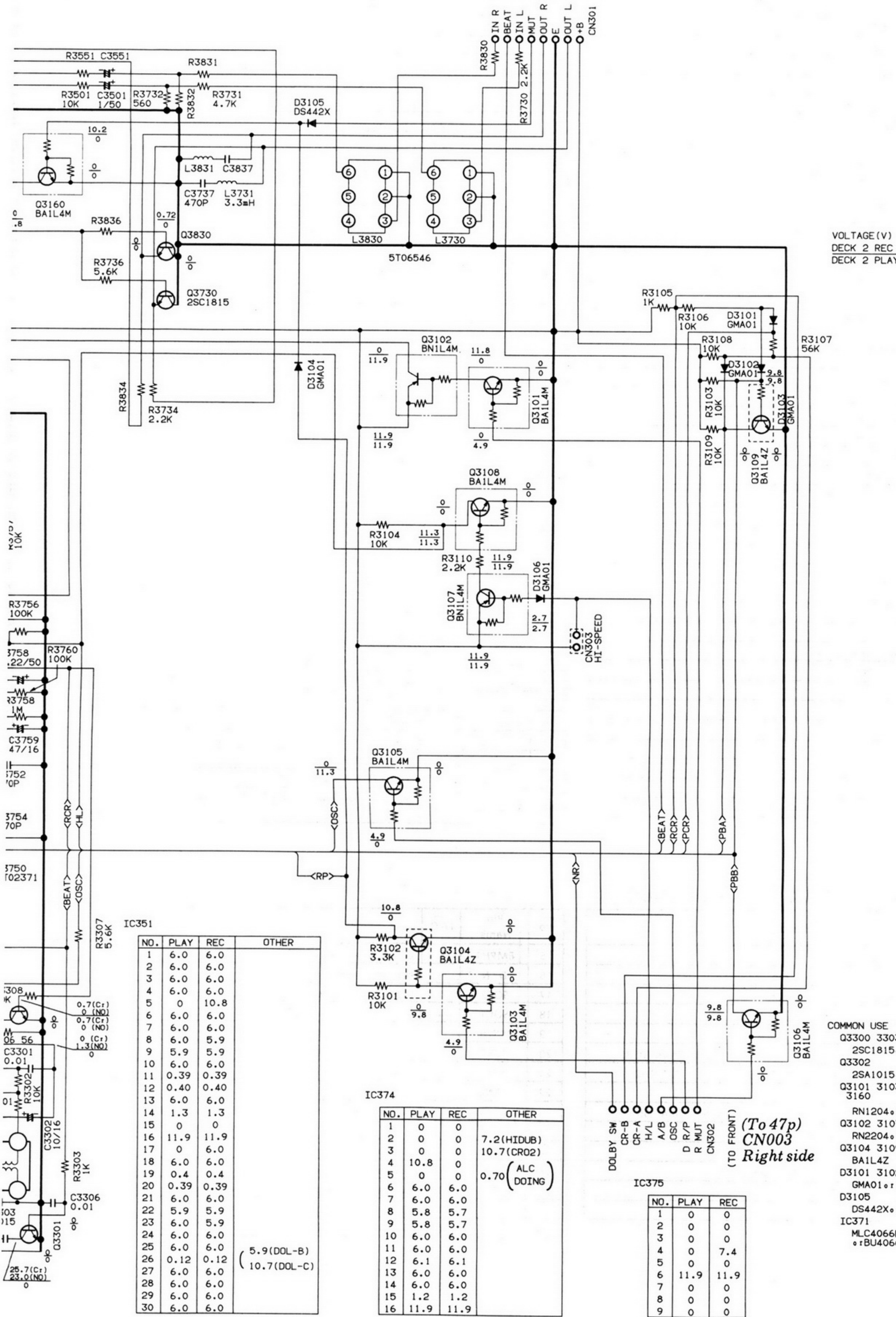
CD FRONT



SCHEMATIC DIAGRAM (TAPE DECK AMPLIFIER)



(To 31p)
CN705 Upper side



VOLTAGE (V)
DECK 2 REC
DECK 2 PLAY

IC351

NO.	PLAY	REC	OTHER
1	6.0	6.0	
2	6.0	6.0	
3	6.0	6.0	
4	6.0	6.0	
5	0	10.8	
6	6.0	6.0	
7	6.0	6.0	
8	6.0	5.9	
9	5.9	5.9	
10	6.0	6.0	
11	0.39	0.39	
12	0.40	0.40	
13	6.0	6.0	
14	1.3	1.3	
15	0	0	
16	11.9	11.9	
17	0	6.0	
18	6.0	6.0	
19	0.4	0.4	
20	0.39	0.39	
21	6.0	6.0	
22	5.9	5.9	
23	6.0	5.9	
24	6.0	6.0	
25	6.0	6.0	
26	0.12	0.12	
27	6.0	6.0	
28	6.0	6.0	
29	6.0	6.0	
30	6.0	6.0	

(5.9(DOL-B)
10.7(DOL-C)

IC374

NO.	PLAY	REC	OTHER
1	0	0	
2	0	0	7.2(HIDUB)
3	0	0	10.7(CRO2)
4	10.8	0	
5	0	0	0.70(ALC DOING)
6	6.0	6.0	
7	6.0	6.0	
8	5.8	5.7	
9	5.8	5.7	
10	6.0	6.0	
11	6.0	6.0	
12	6.1	6.1	
13	6.0	6.0	
14	6.0	6.0	
15	1.2	1.2	
16	11.9	11.9	

IC375

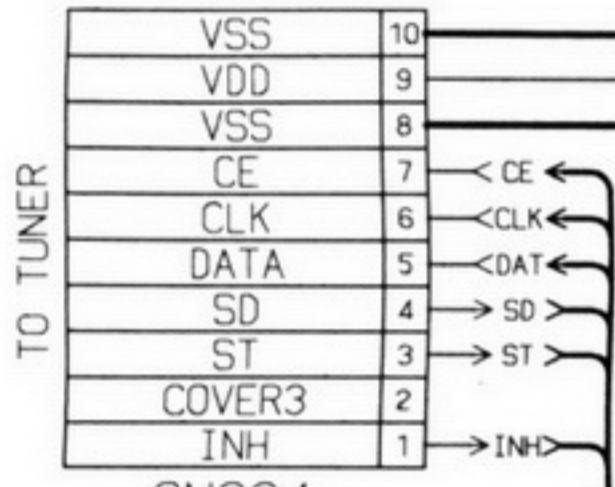
NO.	PLAY	REC
1	0	0
2	0	0
3	0	0
4	0	7.4
5	0	0
6	11.9	11.9
7	0	0
8	0	0
9	0	0

- COMMON USE
- Q3300 3303 3730 3830
 - 2SC1815, 2SC945
 - Q3302
 - 2SA1015, 2SA733
 - Q3101 3103 3105 3106 3108 3160
 - RN1204, B1L4M
 - Q3102 3107 3161
 - RN2204, BN1L4M
 - Q3104 3109
 - B1L4Z
 - D3101 3102 3103 3104 3105
 - GMA01, 1SS133
 - D3105
 - DS442X, 1S2473
 - IC371
 - MLC4066B, TC4066BP
 - BU4066B, PD4066BC

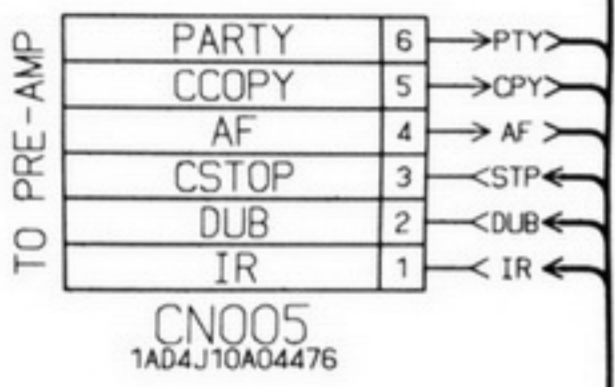
SCHEMATIC DIAGRAM (FRONT)

COVER			
	1	2	3
EU1	0	0	0
EU2	0	0	1
JA1	1	0	0
JA2	0	1	0
US	0	1	1
PD	1	0	1
SS1	1	1	0
SS2	1	1	1

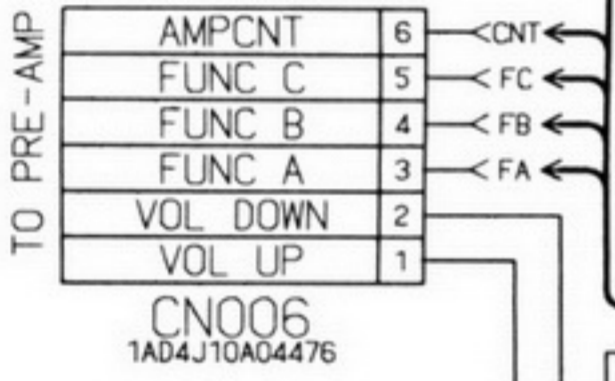
(To 28p)
CN491
Left side



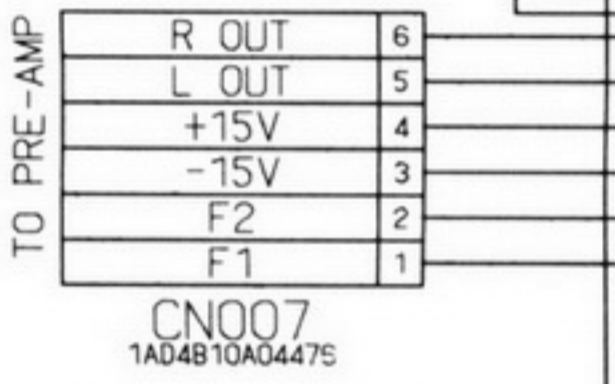
(To 31p)
CN492



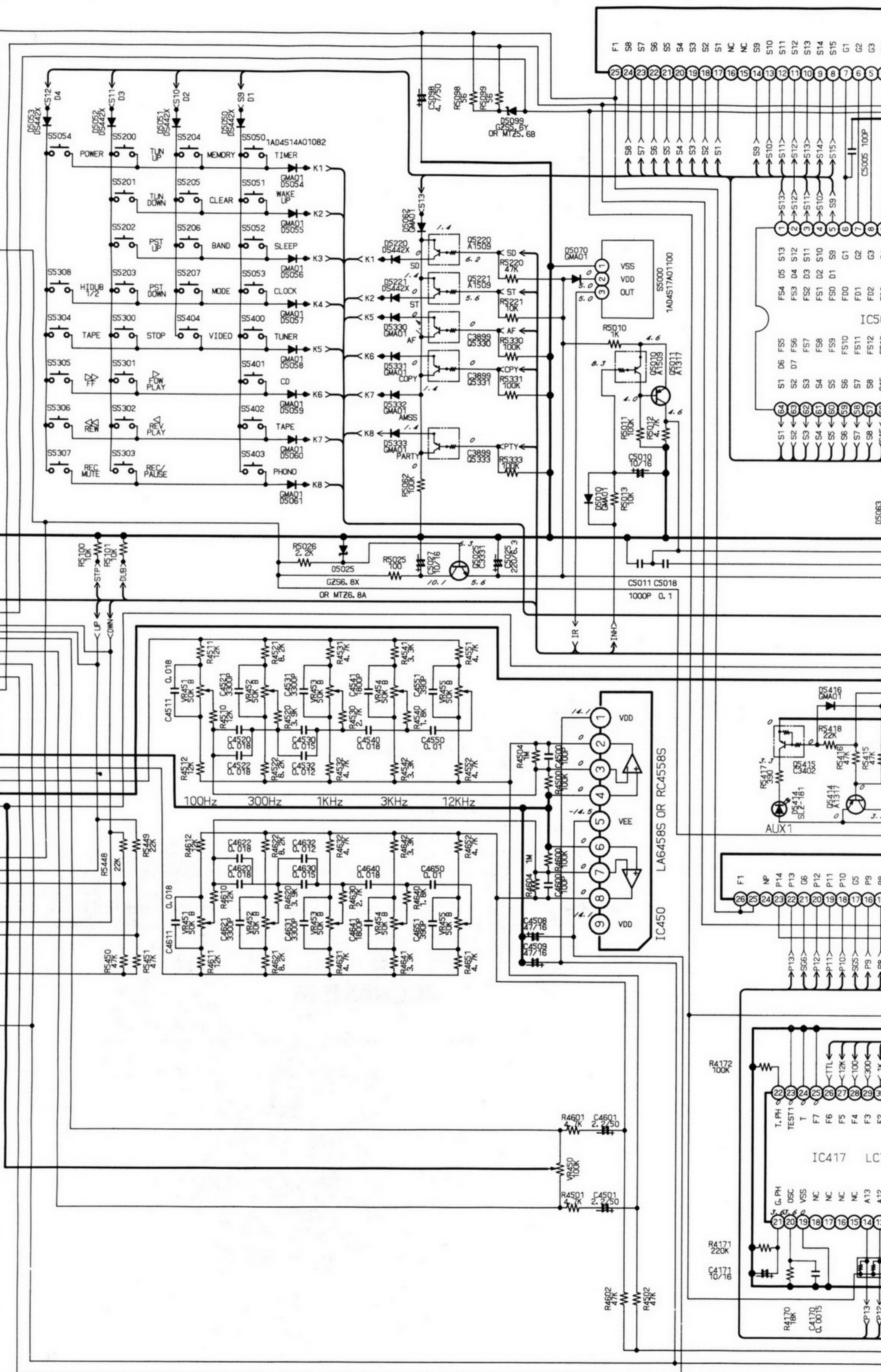
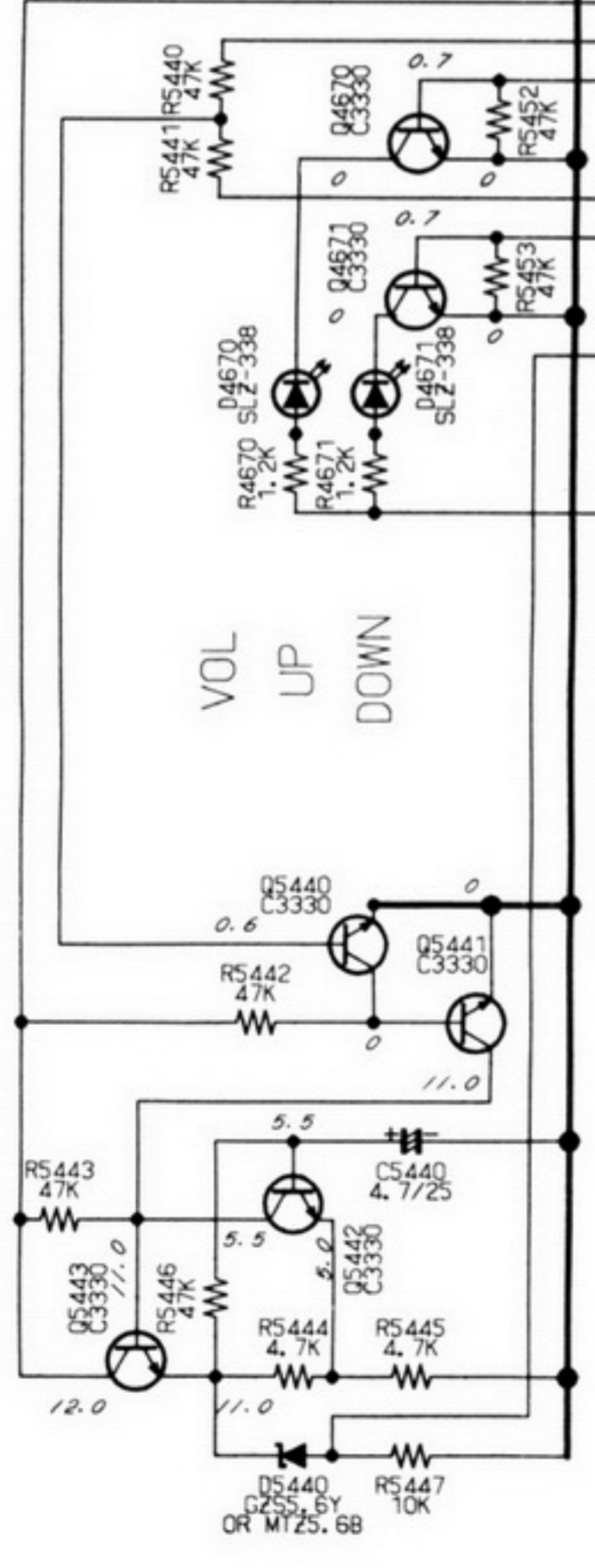
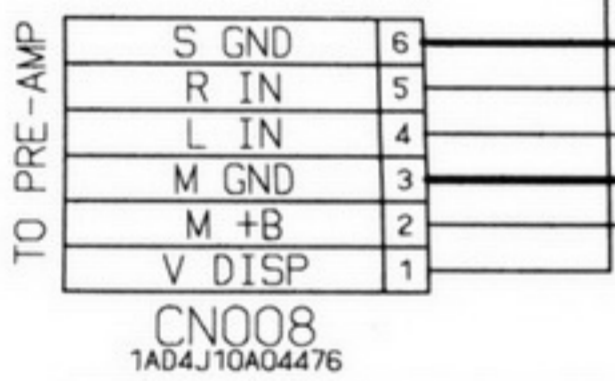
(To 31p)
CN493

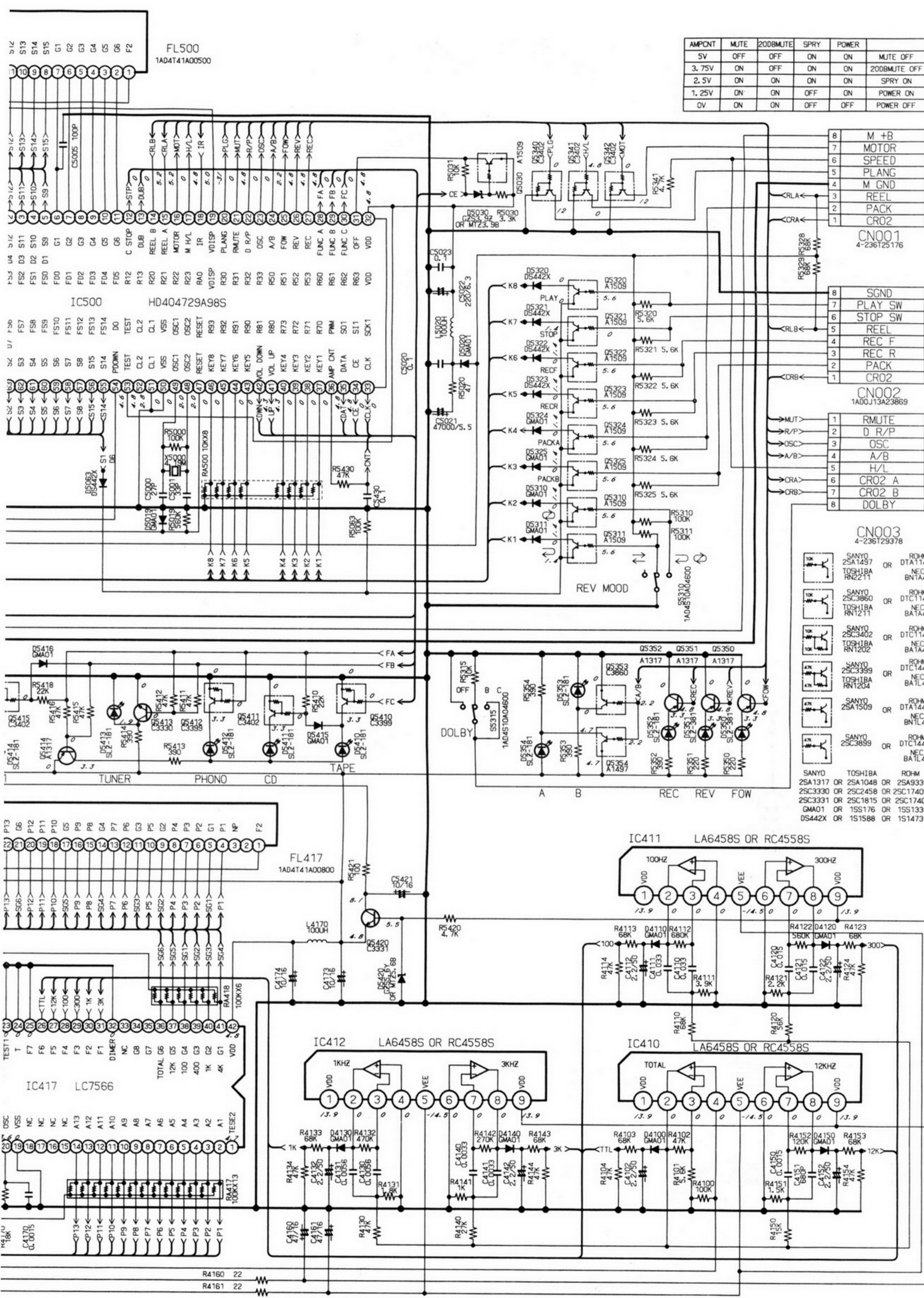


(To 31p)
CN730



(To 31p)
CN731





AMP/NT	MUTE	200BMUTE	SPRY	POWER	
5V	OFF	OFF	ON	ON	MUTE OFF
3.75V	ON	OFF	ON	ON	200BMUTE OFF
2.5V	ON	ON	ON	ON	SPRY ON
1.25V	ON	ON	OFF	ON	POWER ON
0V	ON	ON	OFF	OFF	POWER OFF

(To 39p)

(To 39p)

(To 43p)

CN302 Bottom side

- CNO03**
4-236129378
- SANYO 25A1497 OR ROHM DT1A11415
 - TOSHIBA R22211 OR NEC BNTA42
 - SANYO 25C3860 OR ROHM DT1C11415
 - TOSHIBA R21211 OR NEC BA1A42
 - SANYO 25C3402 OR ROHM DT1E11415
 - TOSHIBA R21202 OR NEC BA1A4M
 - SANYO 25C3399 OR ROHM DT1C14415
 - TOSHIBA R21204 OR NEC BA1L4M
 - SANYO 25A1509 OR ROHM DT1A14415
 - OR NEC BNTL42
 - SANYO 25C3899 OR ROHM DT1C14415
 - OR NEC BA1L4Z
- SANYO TOSHIBA ROHM
25A1317 OR 25A1048 OR 25A933 OR
25C3330 OR 25C2458 OR 25C17405 OR
25C3331 OR 25C1815 OR 25C17400 OR
GMA01 OR 15S176 OR 15S133
DS442X OR 151588 OR 151473

