



Service Manual

Stereo Sound System

DC - X303 (GERMANY)



Specifications

PRODUCT CODE No.
129 318 12

Tuner section

Frequency range FM : 87.5 - 108 MHz
MW : 522 - 1,611 kHz
LW : 144 - 290 kHz

Turntable section

Drive system Belt drive

Cassette decks section

Recording system AC bias, 4-track stereo
Rewind and fast
forward time Approx. 115 sec. (C-60)
Wow and flutter 0.2% (WRMS)


General

Output power 20 W x 2
(at 8 ohms, 10% distortion)

Inputs CD : 47k ohms (250 mV)
Outputs SPEAKERS : 8 ohms
HEADPHONES : 8 ohms
Power requirements AC : 230V, 50Hz
Dimensions(approx.) 360 (W) x 370 (D) x 348 (H) mm

RB-303 Remote Controller

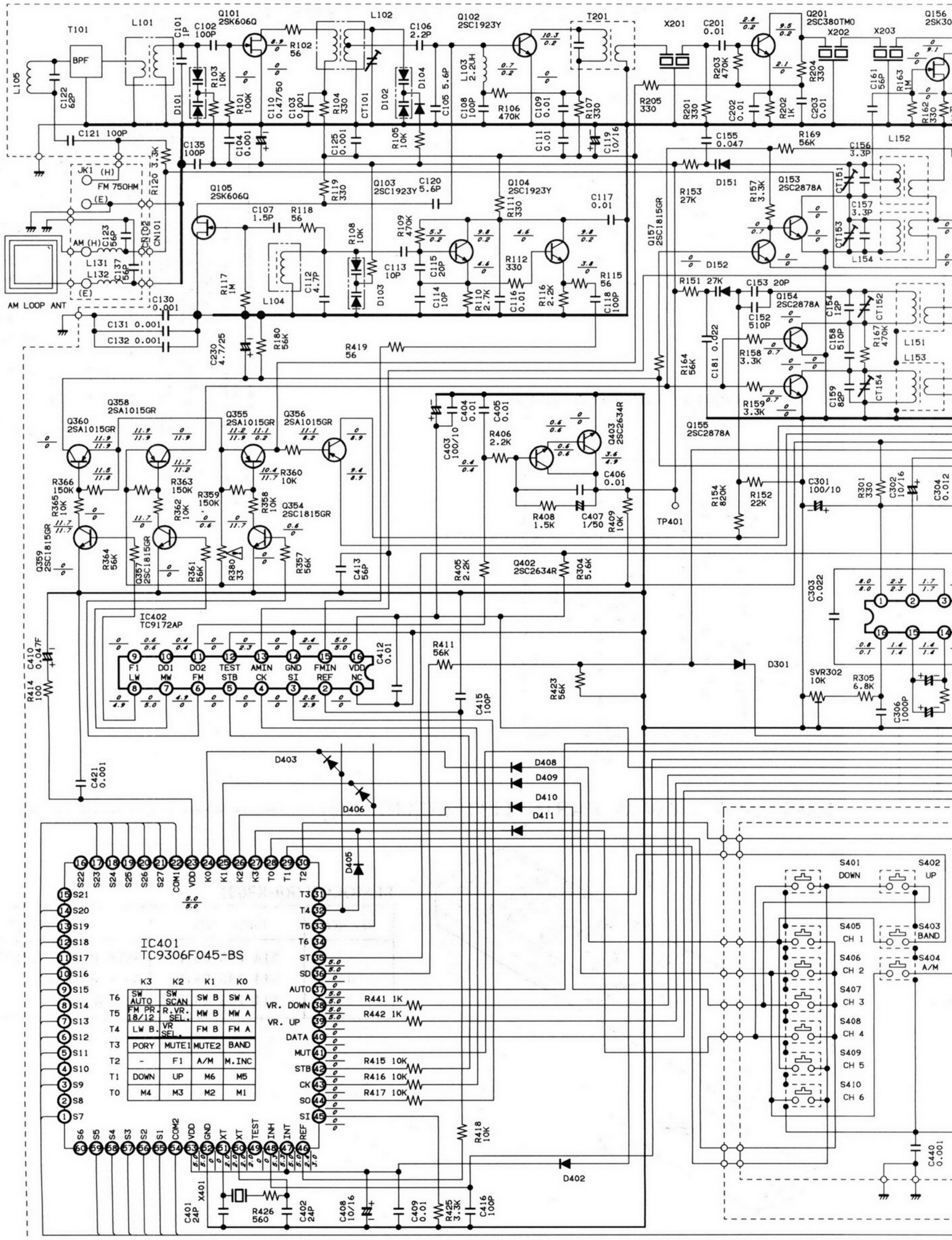
Power requirements DC : 3V
"AA/SUM-3/R6" battery x 2
Dimensions(approx.) 175 (W) x 40 (D) x 18 (H) mm

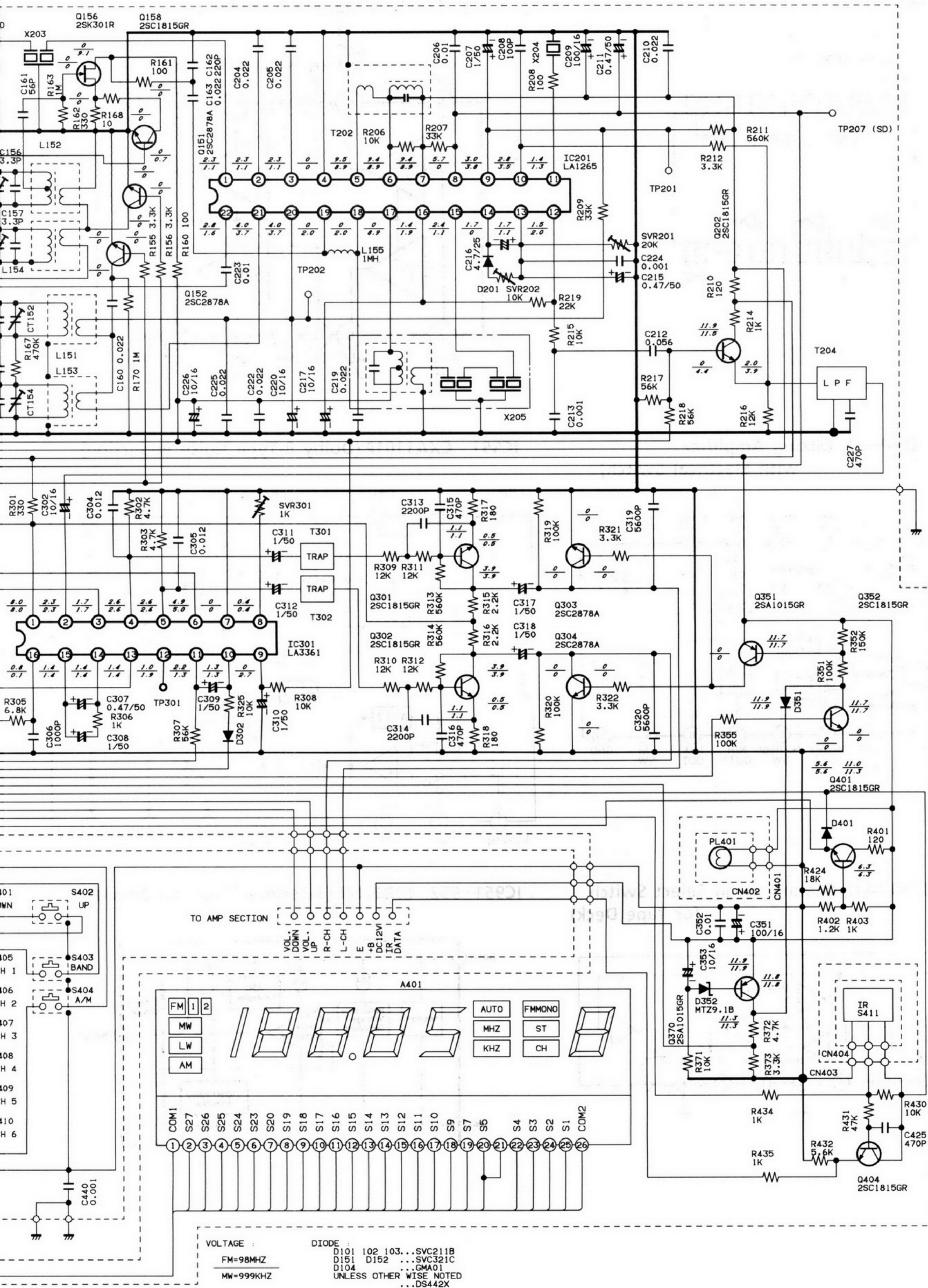
Dolby noise reduction manufactured under license from Dolby Laboratories Licensing Corporation.
"DOLBY" and the double-D symbol  are trademarks of Dolby Laboratories Licensing Corporation.

Specification subject to change without notice.

REFERENCE No. WM-580632

SCHEMATIC DIAGRAM (TUNER SECTION)

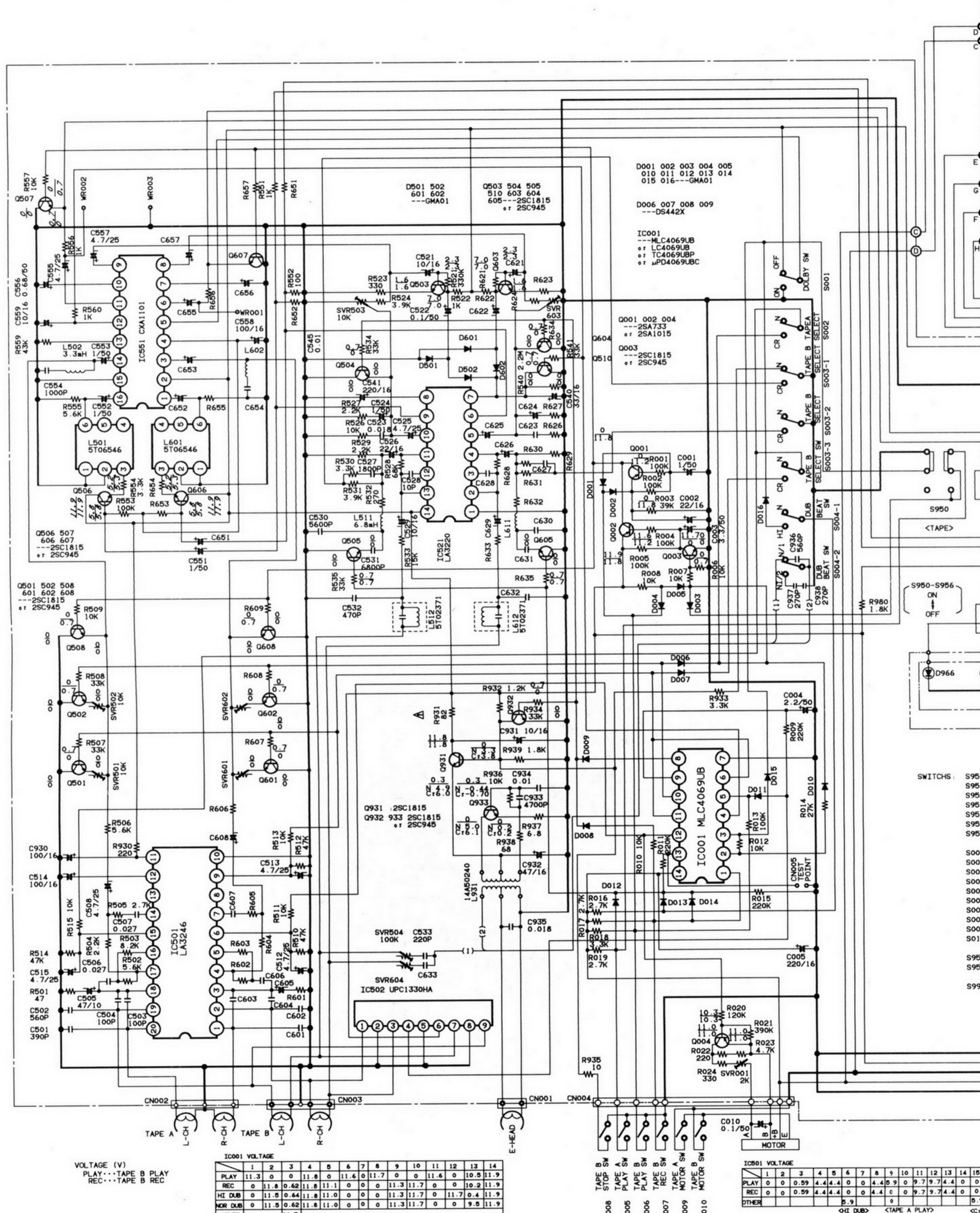




VOLTAGE :
 FM=98MHZ
 MW=999KHZ

DIODE :
 D101 102 103...SVC211B
 D151 D152 ...SVC321C
 D104 ...GMA01
 UNLESS OTHER WISE NOTED
 ...DS442X

SCHEMATIC DIAGRAM (DECK & AMP SECTION)



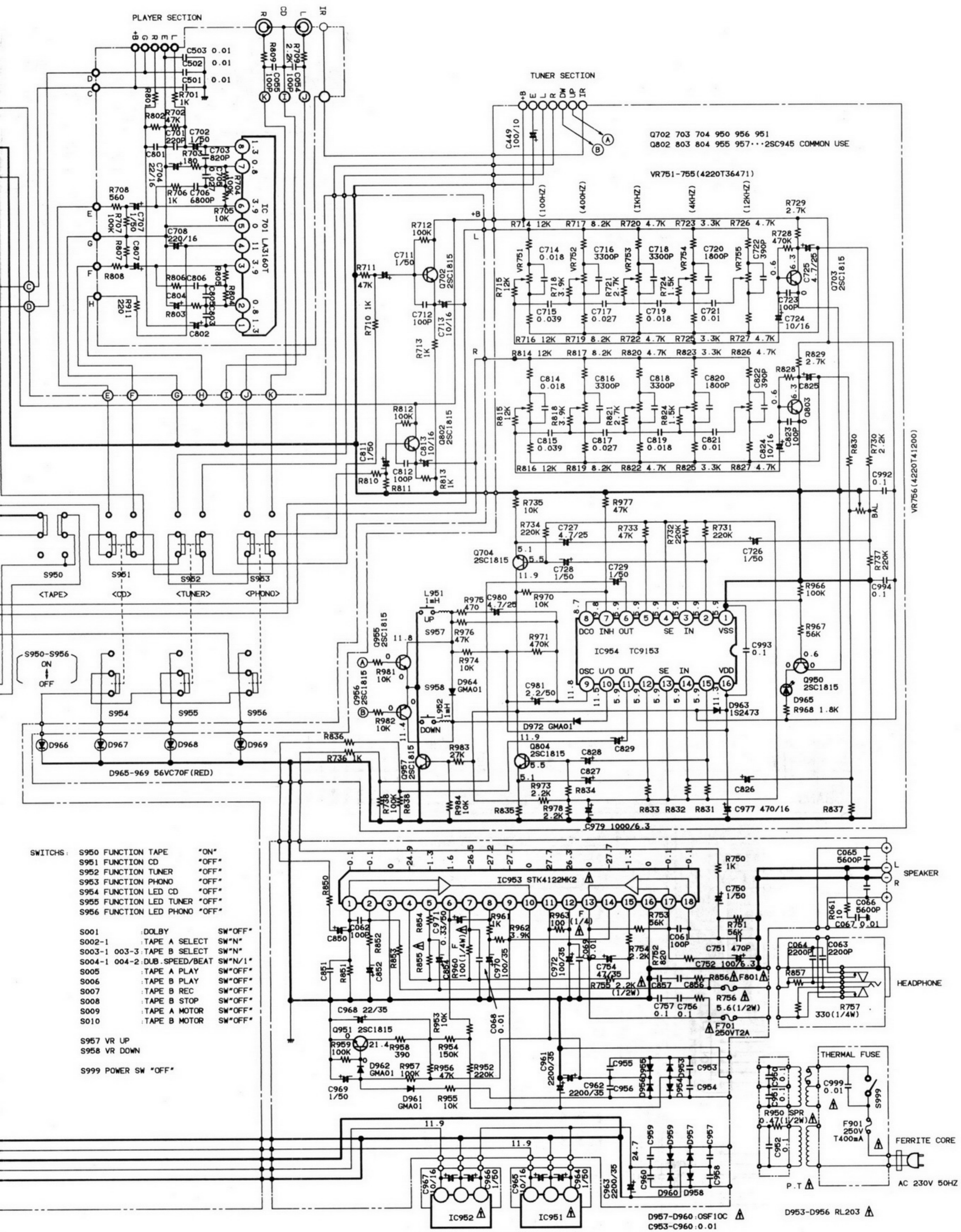
VOLTAGE (V)
PLAY...TAPE B PLAY
REC...TAPE B REC

IC501 VOLTAGE	1	2	3	4	5	6	7	8	9	10	11	12	13	14
PLAY	11.3	0	0	11.8	0	11.6	0	11.7	0	11.6	0	10.5	11.9	
REC	0	11.8	0.62	11.8	11.1	0	0	11.3	11.7	0	0	10.2	11.9	
HI DUB	0	11.5	0.64	11.8	11.0	0	0	11.3	11.7	0	11.7	0.4	11.9	
NOR DUB	0	11.5	0.62	11.8	11.0	0	0	11.3	11.7	0	0	9.8	11.9	
OTHER														11.7

<FUNCTION SW NON TAPE REC>

IC501 VOLTAGE	1	2	3	4	5	6	7	8	9	10	11	12	13	14	15	16
PLAY	0	0	0.59	4.4	4.4	0	0	4.4	5.9	0	9.7	9.7	4.4	0	0	4
REC	0	0	0.59	4.4	4.4	0	0	4.4	0	0	9.7	9.7	4.4	0	0	4
OTHER																5.9

<HI DUB> <TAPE A PLAY> <C-102>



Q702 703 704 950 956 951
 Q802 803 804 955 957...2SC945 COMMON USE

VR751-755 (4220T36471)

VR756 (4220T41200)

- SWITCHES: S950 FUNCTION TAPE "ON"
 S951 FUNCTION CD "OFF"
 S952 FUNCTION TUNER "OFF"
 S953 FUNCTION PHONO "OFF"
 S954 FUNCTION LED CD "OFF"
 S955 FUNCTION LED TUNER "OFF"
 S956 FUNCTION LED PHONO "OFF"
- S001 :DOLBY SW"OFF"
 S002-1 :TAPE A SELECT SW"N"
 S003-1 003-3:TAPE B SELECT SW"N"
 S004-1 004-2:DUB. SPEED/BEAT SW"N/1"
 S005 :TAPE A PLAY SW"OFF"
 S006 :TAPE B PLAY SW"OFF"
 S007 :TAPE B REC SW"OFF"
 S008 :TAPE B STOP SW"OFF"
 S009 :TAPE A MOTOR SW"OFF"
 S010 :TAPE B MOTOR SW"OFF"
- S957 VR UP
 S958 VR DOWN
 S999 POWER SW "OFF"

IC502 VOLTAGE

1	2	3	4	5	6	7	8	9
PLAY	0	0	0	0	11.9	0	0	0
REC	0	0	0	0	4.4	4.4	0.59	0
TAPE A PLAY	0	0	0	0	9.7	9.7	4.4	0
<C102>	0	0	0	0	4.4	4.4	0.59	0
	0	0	0	0	5.9	0	0	0

IC951 952...L7812ML NJM7812FA AN7812F μPC7812HF

1	2	3	4	5	6	7	8	9	10	11	12	13	14	
PLAY	0	5.9	11.2	5.9	5.9	0	0	5.9	0	5.9	5.9	11.2	5.9	11.9
REC	0	5.9	11.2	5.9	5.9	0	0	5.9	0	5.9	5.9	11.2	5.9	11.9
OTHER	0	0	0	0	1.25	0	0	0	0	0	0	0	0	0
	0	0	0	0	11.9	0	0	0	0	0	0	0	0	0
<CALC DOING>	0	0	0	0	11.9	0	0	0	0	0	0	0	0	0

IC951 VOLTAGE

1	2	3	4	5	6	7	8	9	10	11	12	13	14	15	16
PLAY	6.0	11.9	6.0	6.0	11.9	6.1	0.4	6.1	6.1	0.4	6.1	11.8	1.2	6.0	0
REC	6.0	11.9	6.0	6.0	11.9	6.1	0.4	6.1	6.1	0.4	6.1	11.8	1.2	6.0	0
OTHER	0	0	0	0	0	0	0	0	0	0	0	0	0	0	0
<DOLBY ON>	0	0	0	0	0	0	0	0	0	0	0	0	0	0	0
<FUNCTION SW NON TAPE REC>	0	0	0	0	0	0	0	0	0	0	0	0	0	0	0