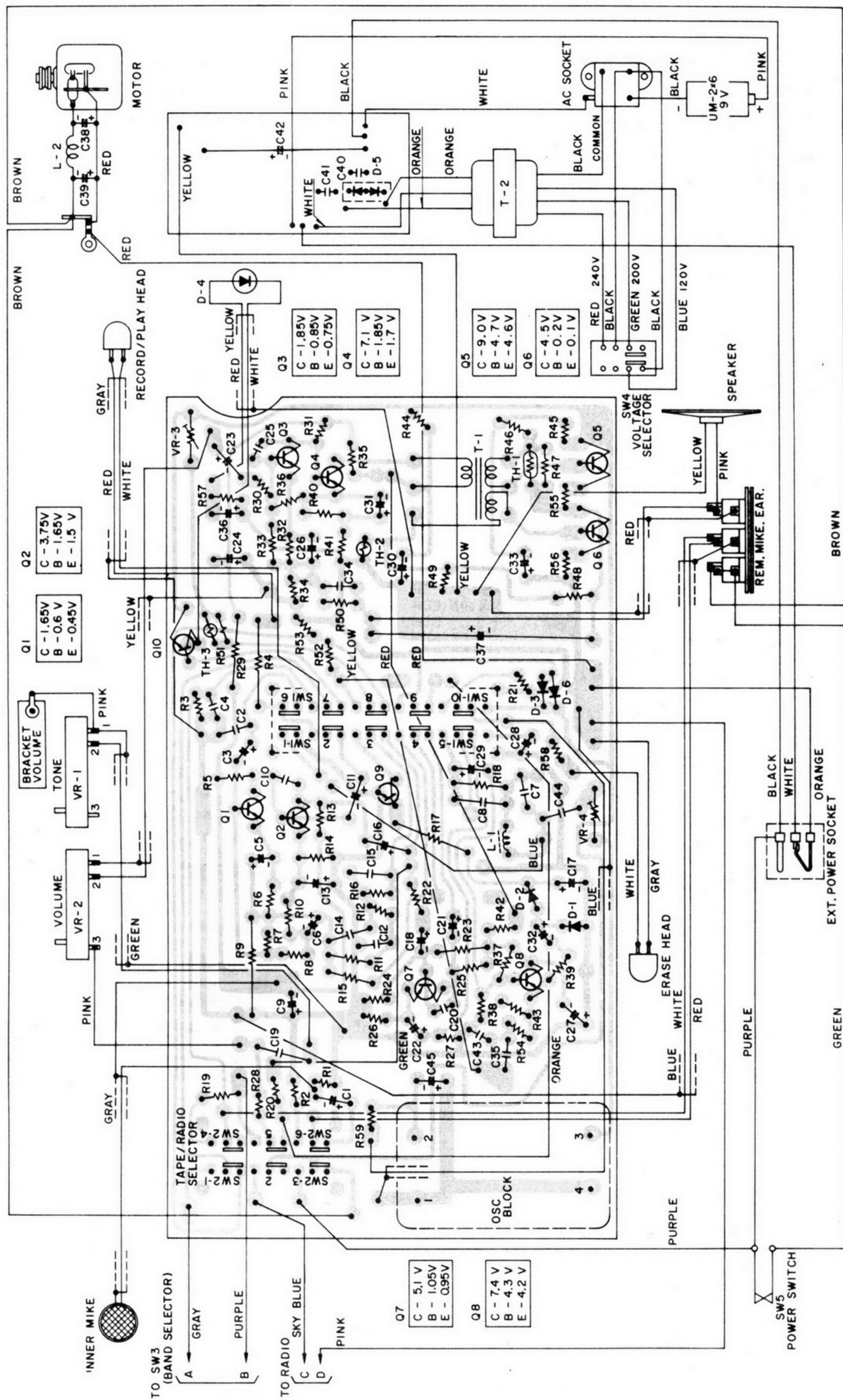




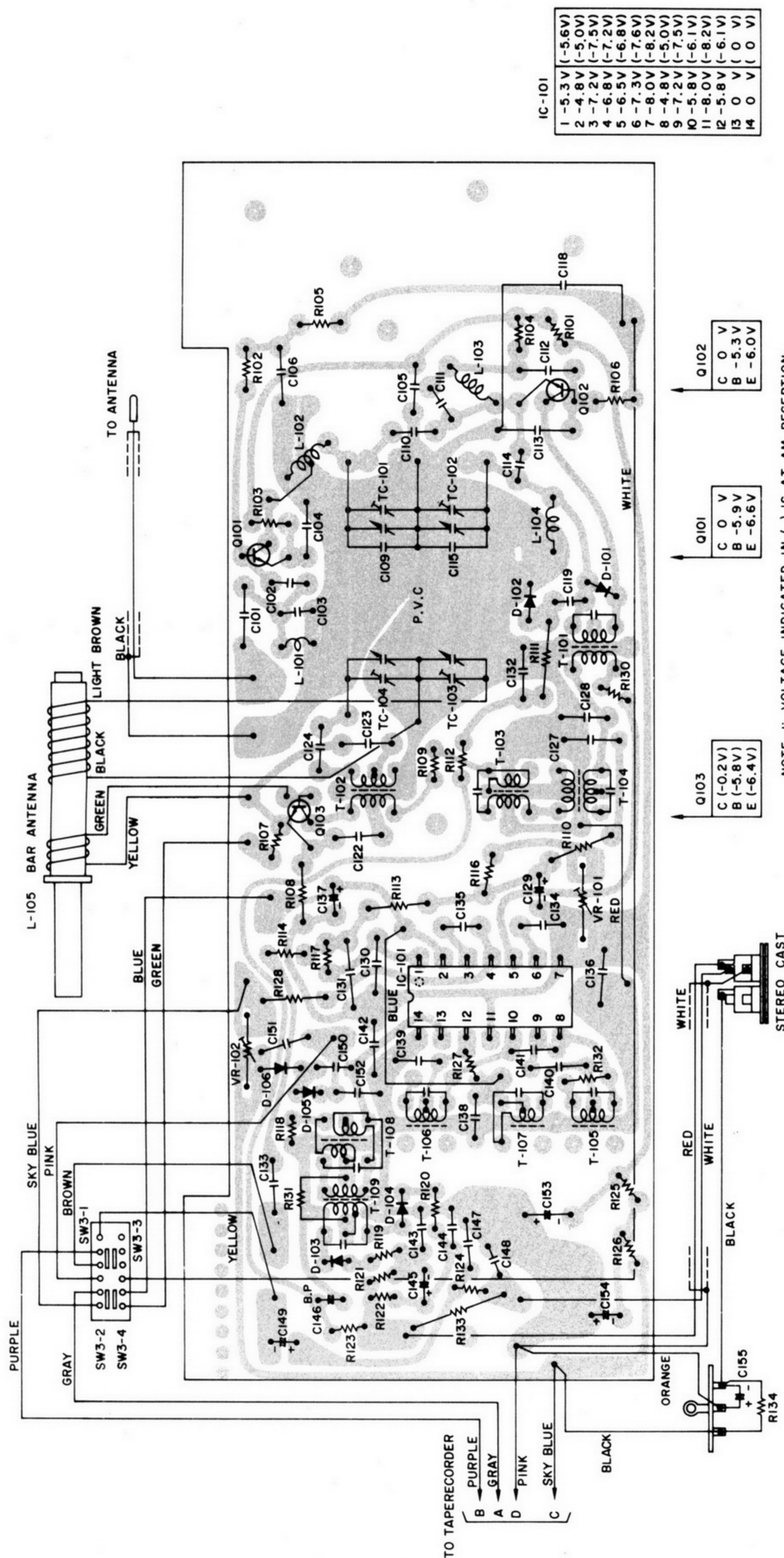
SANYO
PORTABLE RADIO
CASSETTE RECORDER
M 2110F
SERVICE MANUAL



WIRING DIAGRAM(AUDEO)



WIRING DIAGRAM (TUNER)



IC-101	
1	-5.3V (-5.6V)
2	-4.8V (-5.0V)
3	-7.2V (-7.5V)
4	-6.8V (-7.2V)
5	-6.5V (-6.8V)
6	-7.3V (-7.6V)
7	-8.0V (-8.2V)
8	-4.8V (-5.0V)
9	-7.2V (-7.5V)
10	-5.8V (-6.1V)
11	-8.0V (-8.2V)
12	-5.8V (-6.1V)
13	0 V (0 V)
14	0 V (0 V)

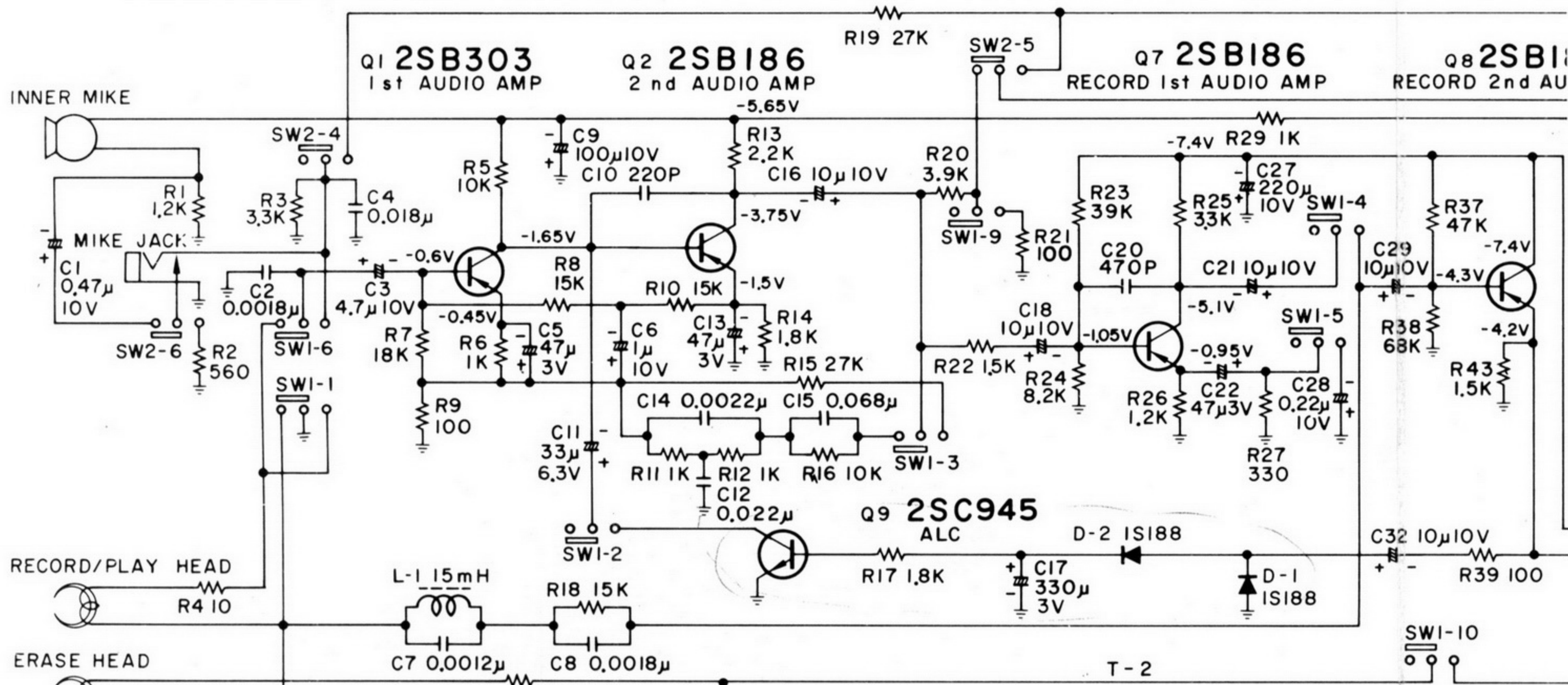
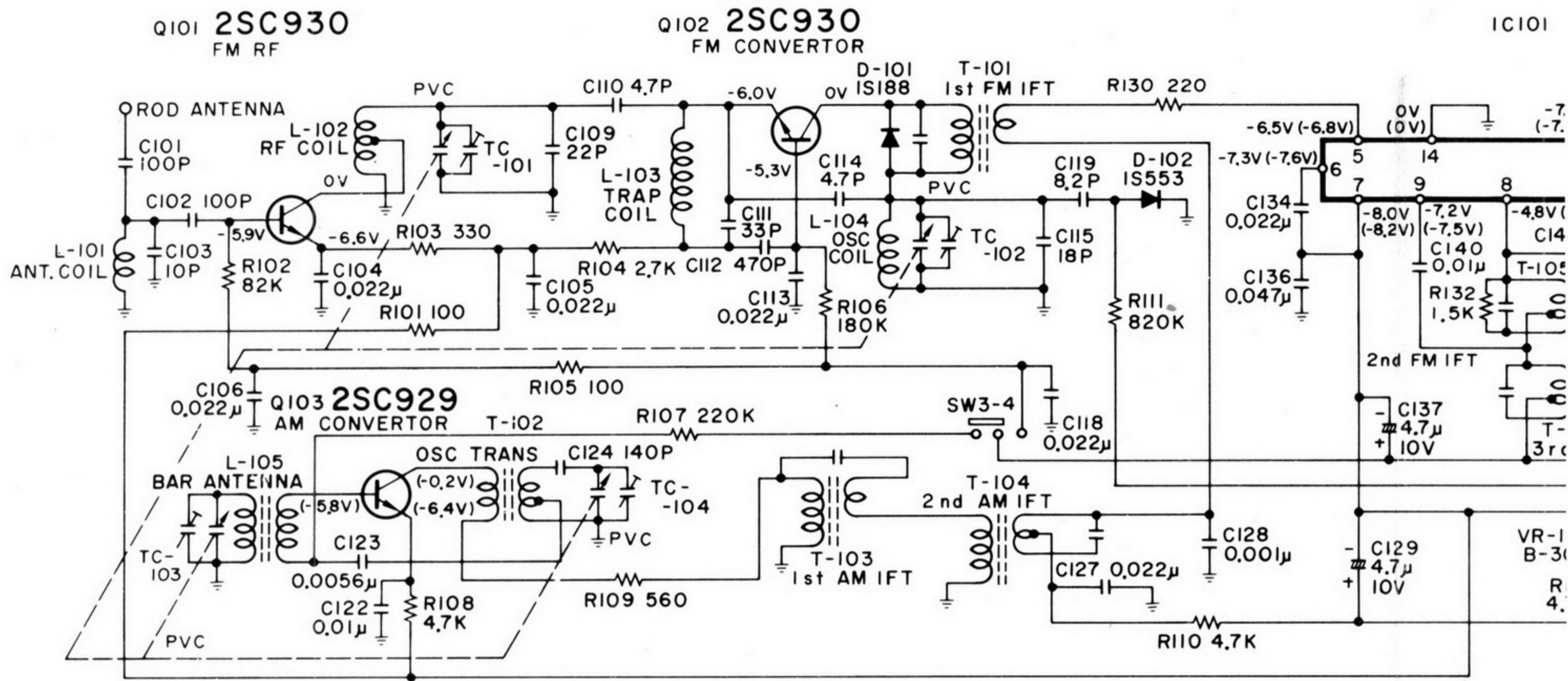
Q102	
C	0 V
B	-5.3V
E	-6.0V

Q101	
C	0 V
B	-5.9V
E	-6.6V

Q103	
C	-0.2V
B	-5.8V
E	-6.4V

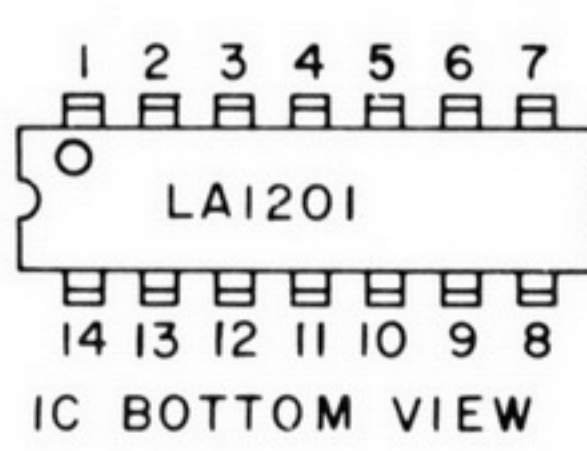
NOTE 1: VOLTAGE INDICATED IN () IS AT AM RECEPTION.

SCHEMATIC DIAGRAM

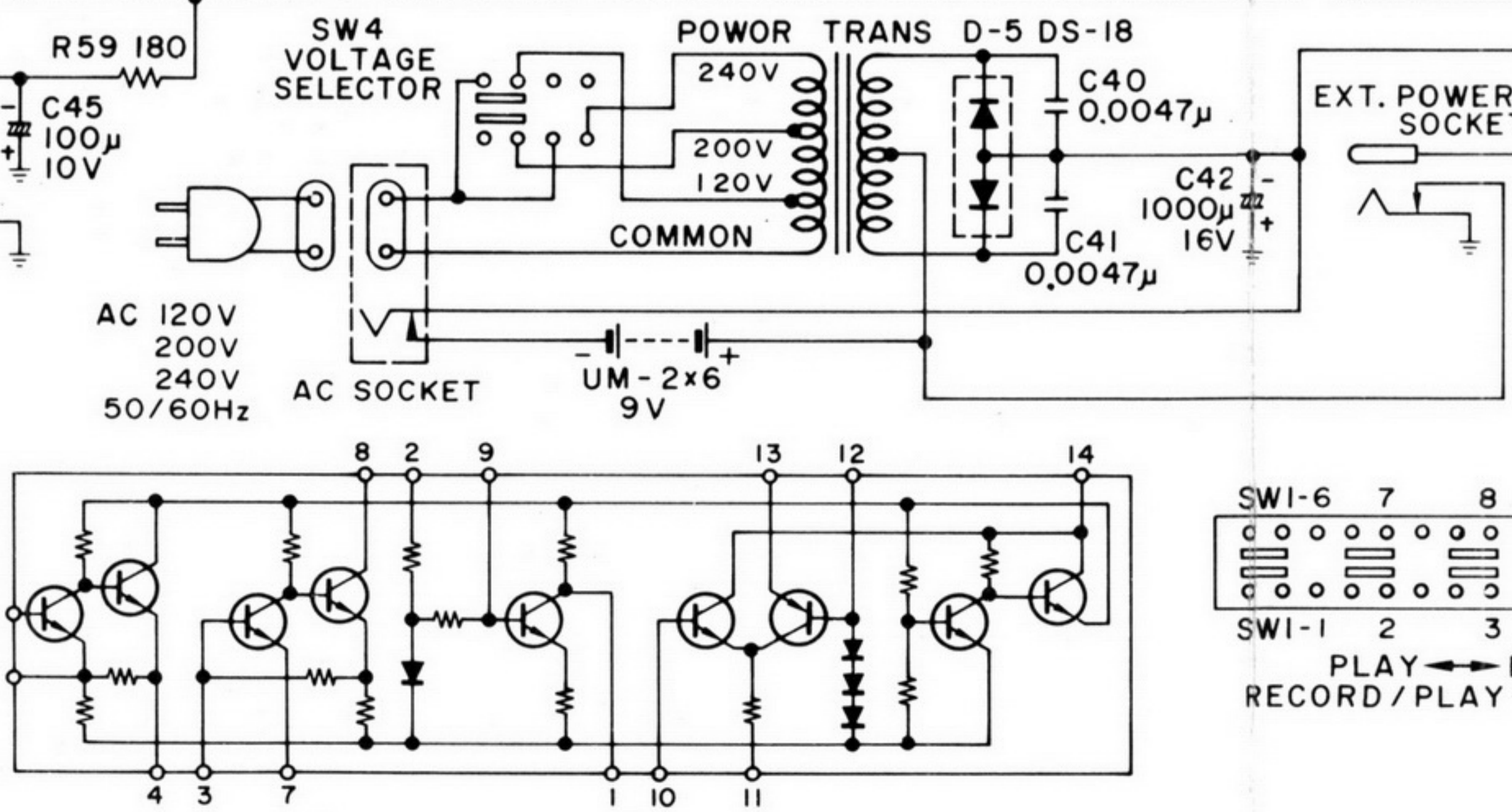


- C 2SB186
- B 2SB303
- E 2SB405
- E 2SC537
- C 2SC929
- B 2SC930
- B 2SC945
- C 2SC945
- E

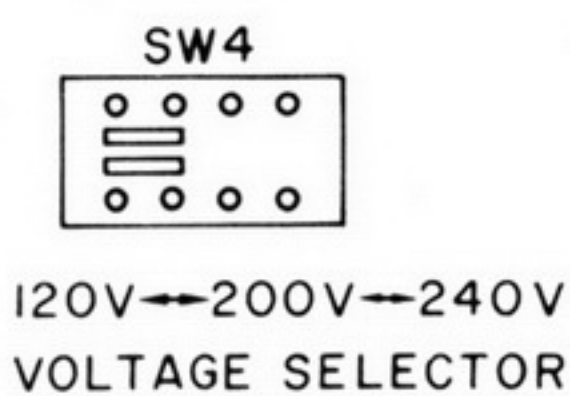
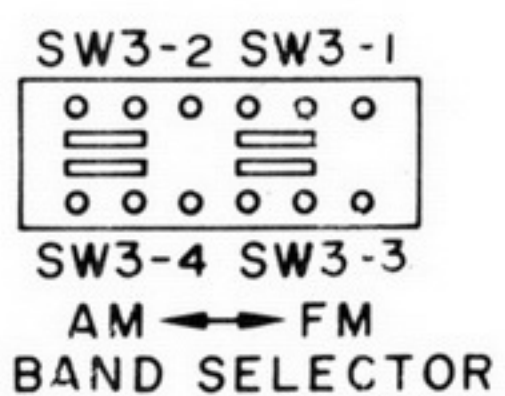
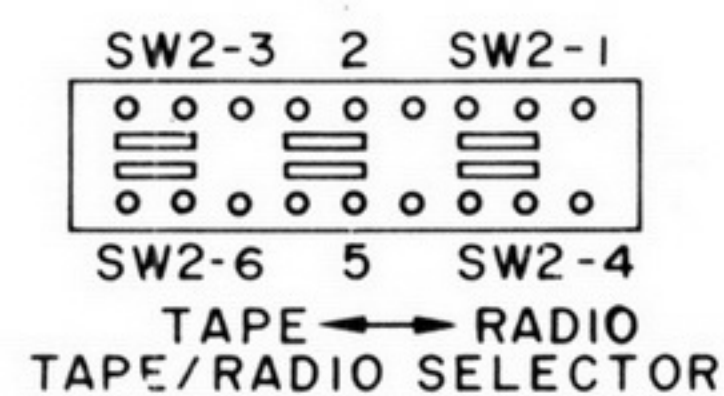
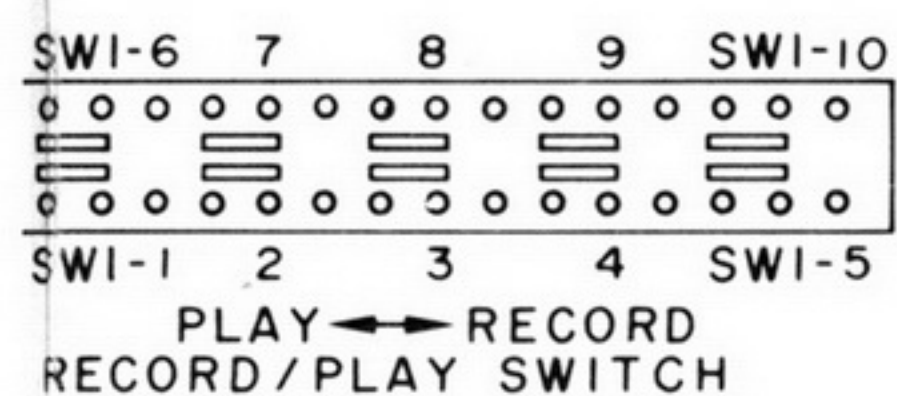
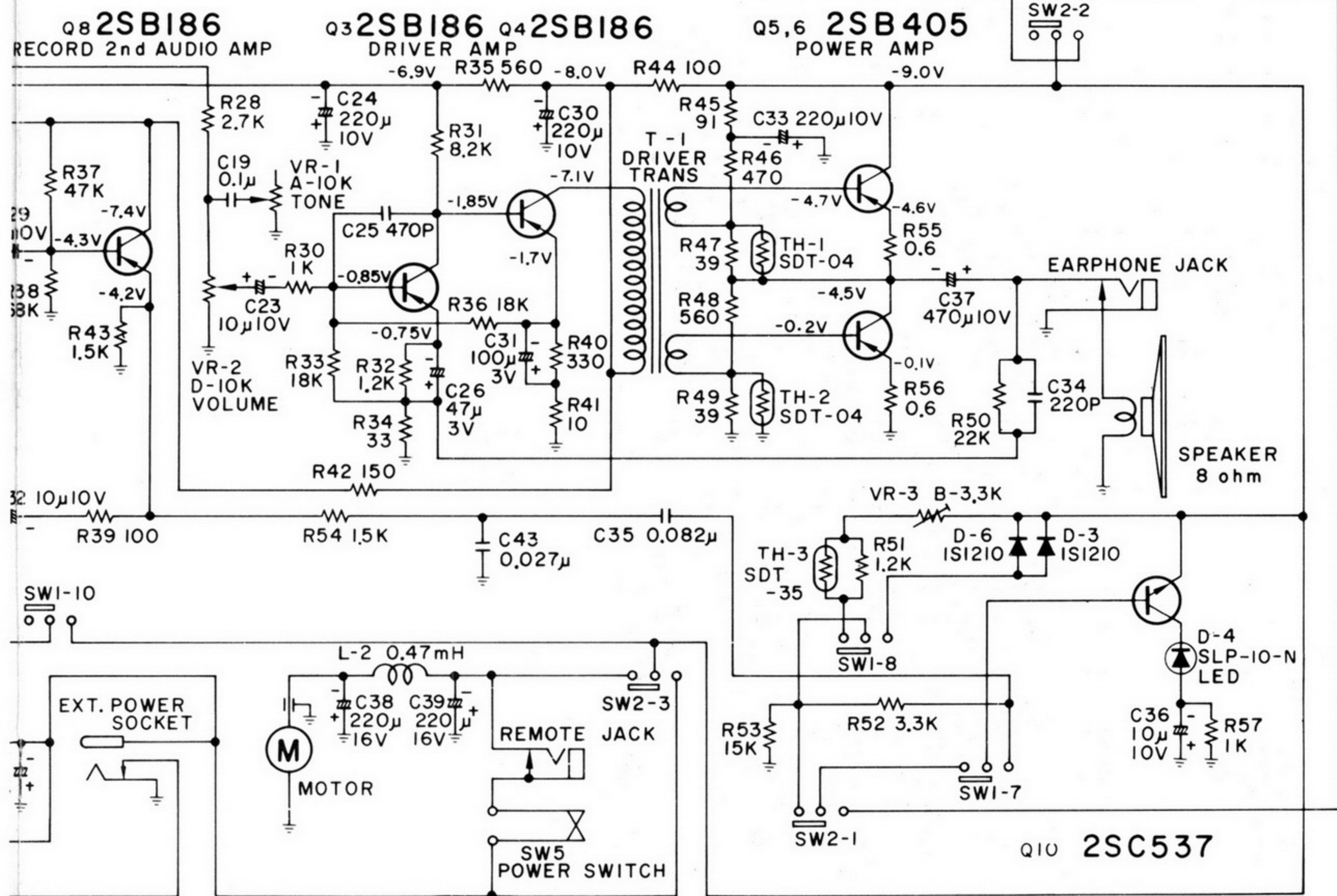
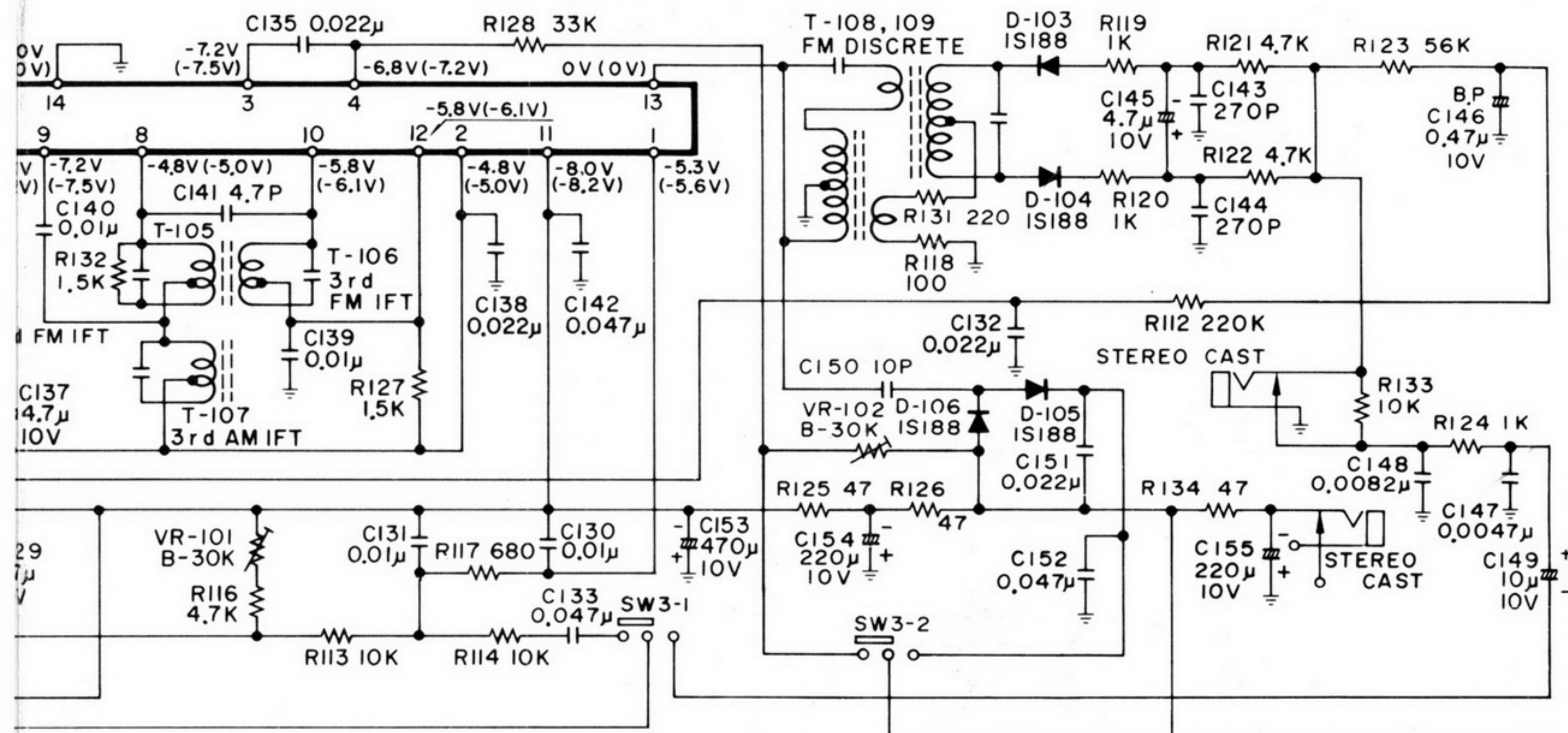
TRANSISTOR BOTTOM VIEW



NOTE 1: VOLTAGE INDICATED IN () IS AT AM RECEPTION.
 2: L.E.D IS LIGHT EMITTING DIODE.



IC101 LA1201
IF AMP



SANYO ELECTRIC TRADING CO., LTD.
SANYO ELECTRIC CO., LTD.
OSAKA, JAPAN