



SANYO

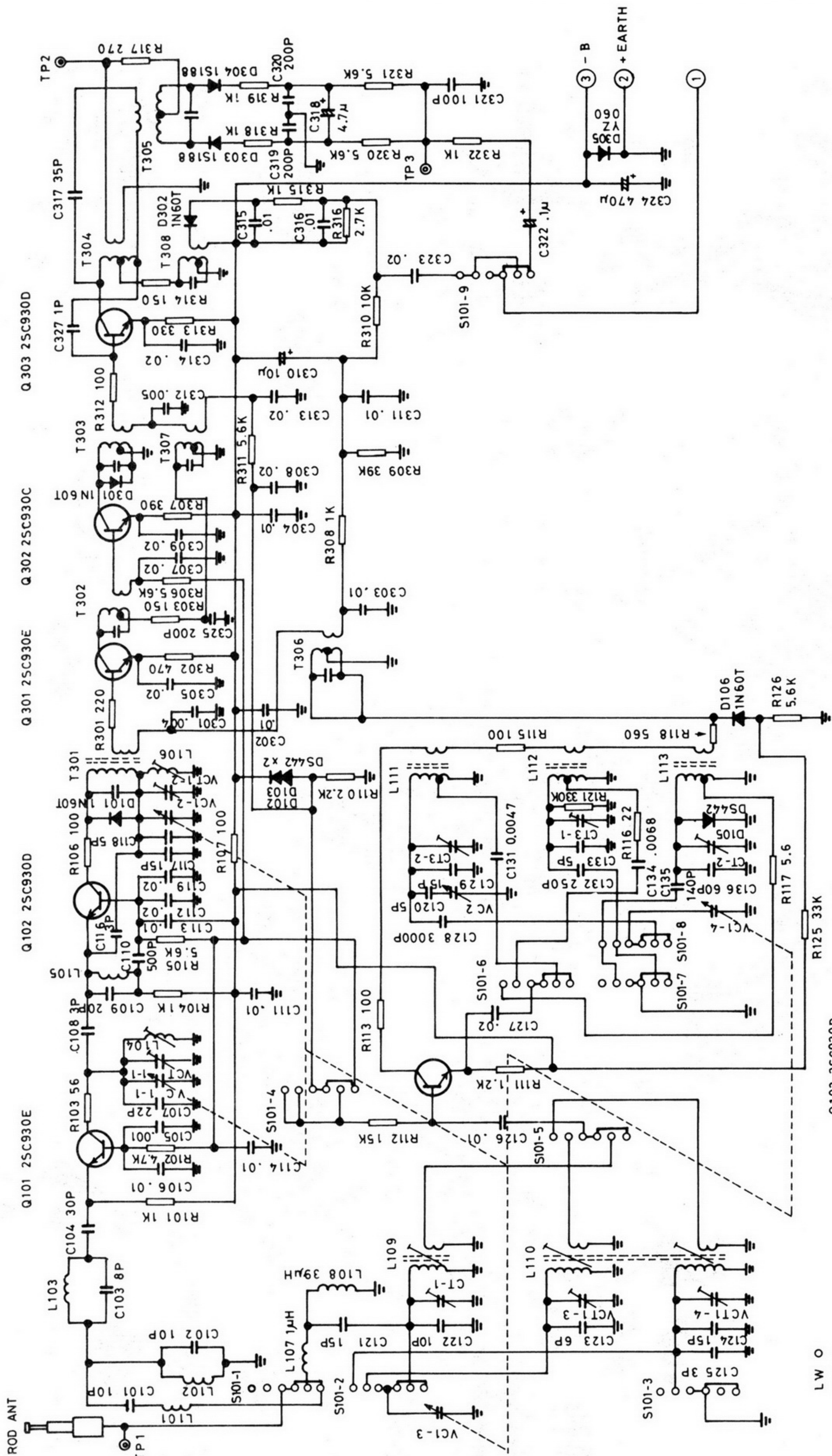
**SANYO
PORTABLE RADIO
CASSETTE RECORDER**

**M2440LE
M2440LZ**

SERVICE MANUAL

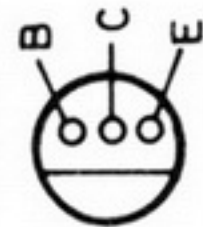


SCHEMATIC DIAGRAM (TUNER)



	Q.101	Q.102	Q.103	Q.301	Q.302	Q.303
C	0.01V	0.02V	0V	0.09V	0V	0.05V
B	4.0V	4.0V	4.2V	4.1V	4.1V	4.1V
E	4.7V	4.8V	5.2V	4.9V	4.8V	4.8V
C	0V	0V	0.3V	0.09V	0V	0.05V
B	4.6V	4.6V	4.2V	4.2V	4.6V	4.2V
E	5.2V	5.2V	4.8V	5.0V	5.3V	4.9V

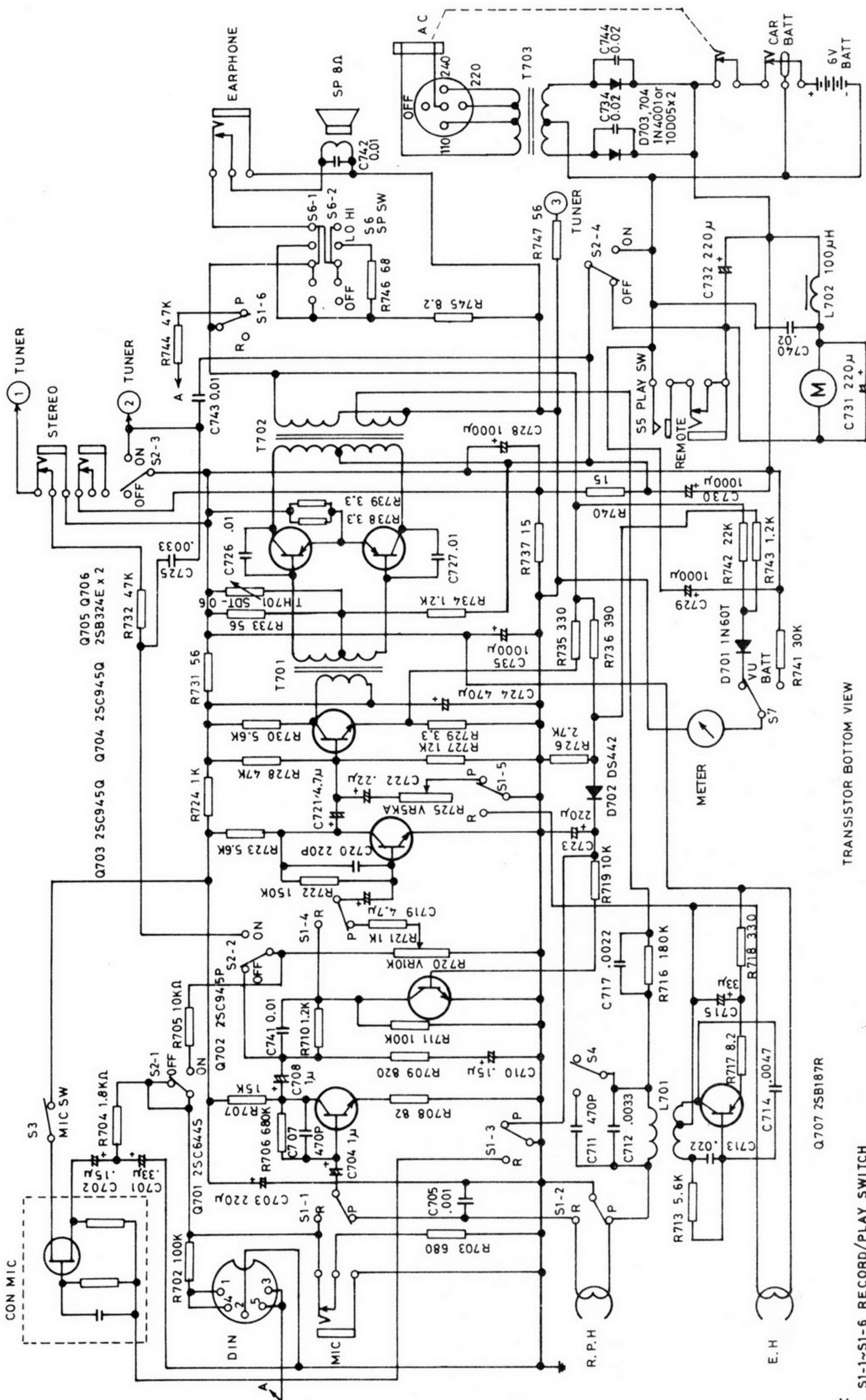
TRANSISTOR BOTTM VIEW



2SC930

LW O
 MW O
 SW O
 FM O
 BAND SWITCH
 S101-1~S101-9

SCHEMATIC DIAGRAM (M2440LZ AUDEO AMP)

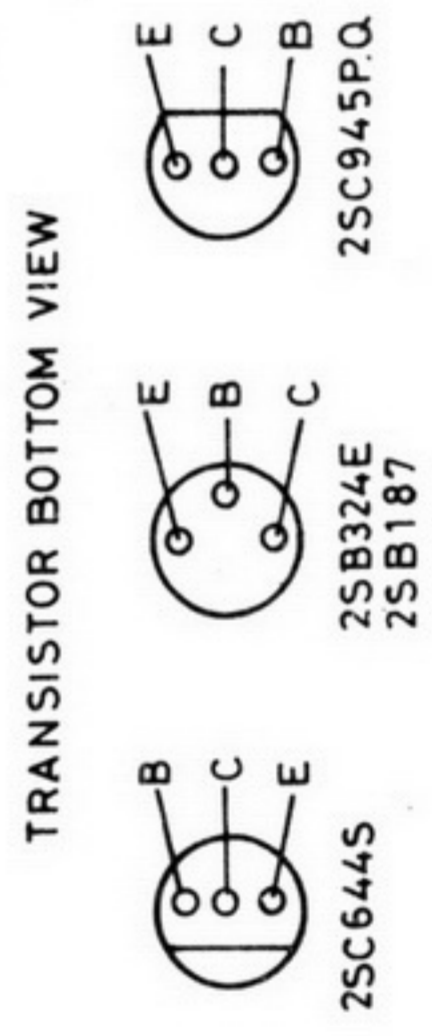
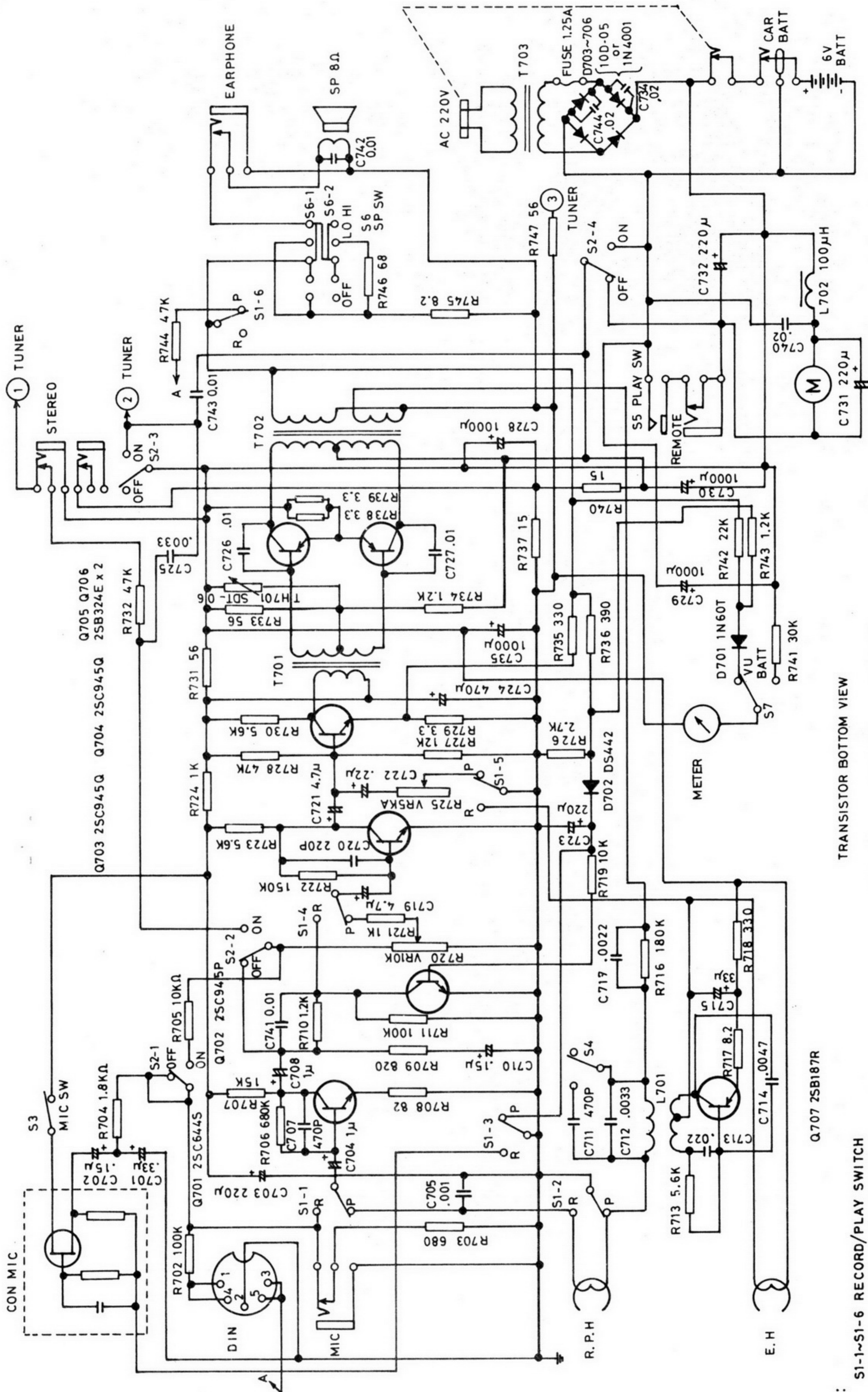


	Q701	Q702	Q703	Q704	Q705	Q706	Q707
C	1.0 V	0V	1.15V	0.7 V	5.9 V	5.9 V	5.6 V
B	0.55 V	0V	0.6 V	4.2 V	0.01V	0.01V	5.6 V
E	0.02 V	0V	0V	0.03V	5.9 V	5.9 V	5.6 V
C	0.95 V	0V	1.1 V	0.65V	5.9 V	5.9 V	0V
B	0.55 V	0V	0.6 V	4.1 V	0.01V	0.01V	1.4 V
E	0.02 V	0V	0V	0.03V	5.9 V	5.9 V	1.3 V



- NOTE:
1. S1-1~S1-6 RECORD/PLAY SWITCH
 2. S2-1~S2-2 RADIO ON/OFF SWITCH
 3. S3 MIC SWITCH
 4. S4 BEAT CANCEL SWITCH
 5. S5 PLAY SWITCH
 6. S6-1,S6-2 SPEAKER HI-LO - OFF SWITCH
 7. S7 VU/BATT. SWITCH

SCHEMATIC DIAGRAM (M2440LE AUDEO AMP)



- NOTE:
1. S1 S1-1~S1-6 RECORD/PLAY/OFF SWITCH
 2. S2 S2-1~S2-2 RADIO ON/OFF SWITCH
 3. S3 MIC SWITCH
 4. S4 BEAT CANCEL SWITCH
 5. S5 PLAY SWITCH
 6. S6 S6-1, S6-2 SPEAKER HI-LO-OFF SWITCH
 7. S7 VU/BATT. SWITCH