

## SERVICE MANUAL

## Portable Component System with CD Player

**MCD-Z200F**  
(GERMANY, ITALY)



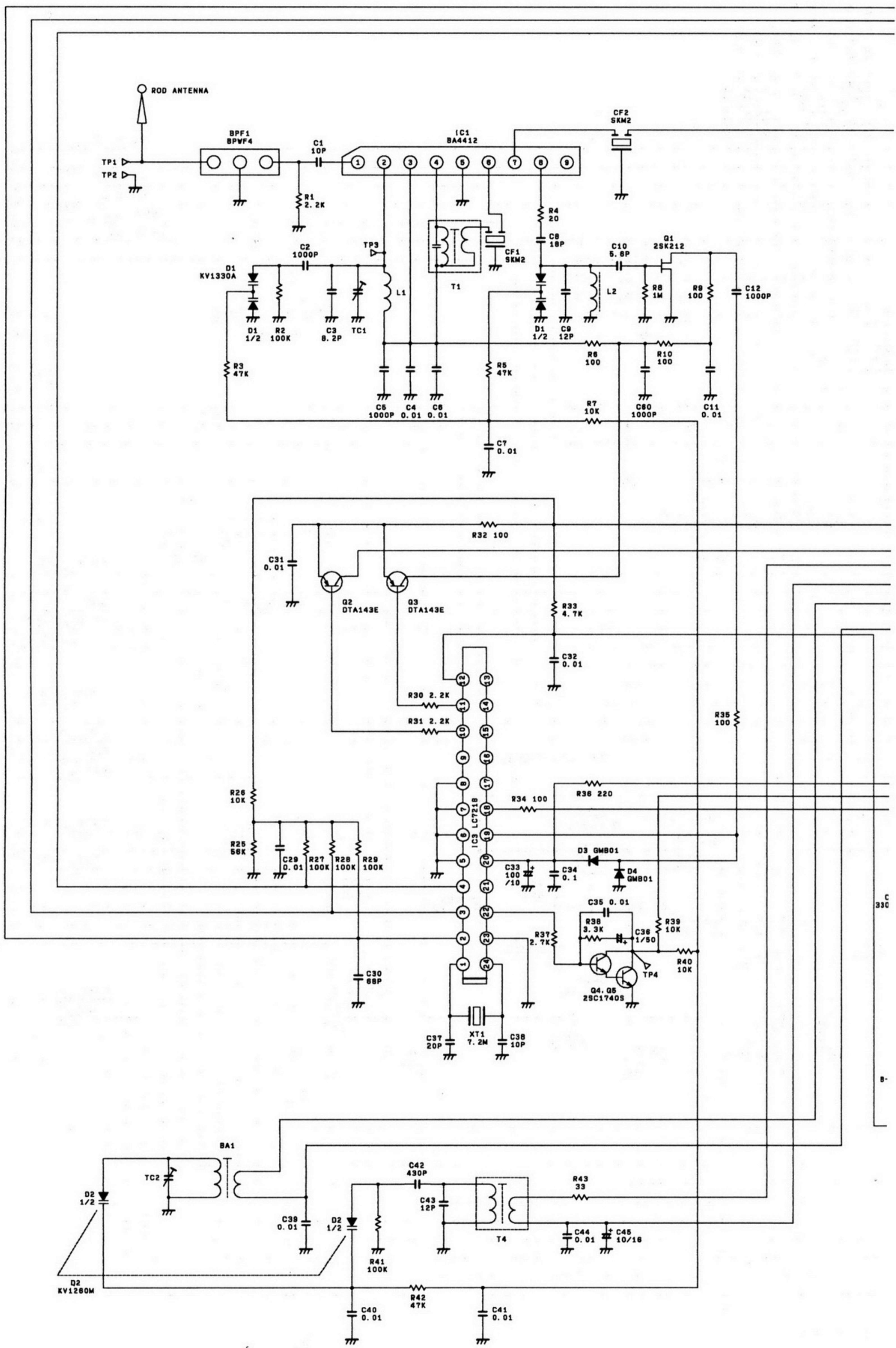
**PRODUCT CODE No.**  
142 530 04

### Specifications

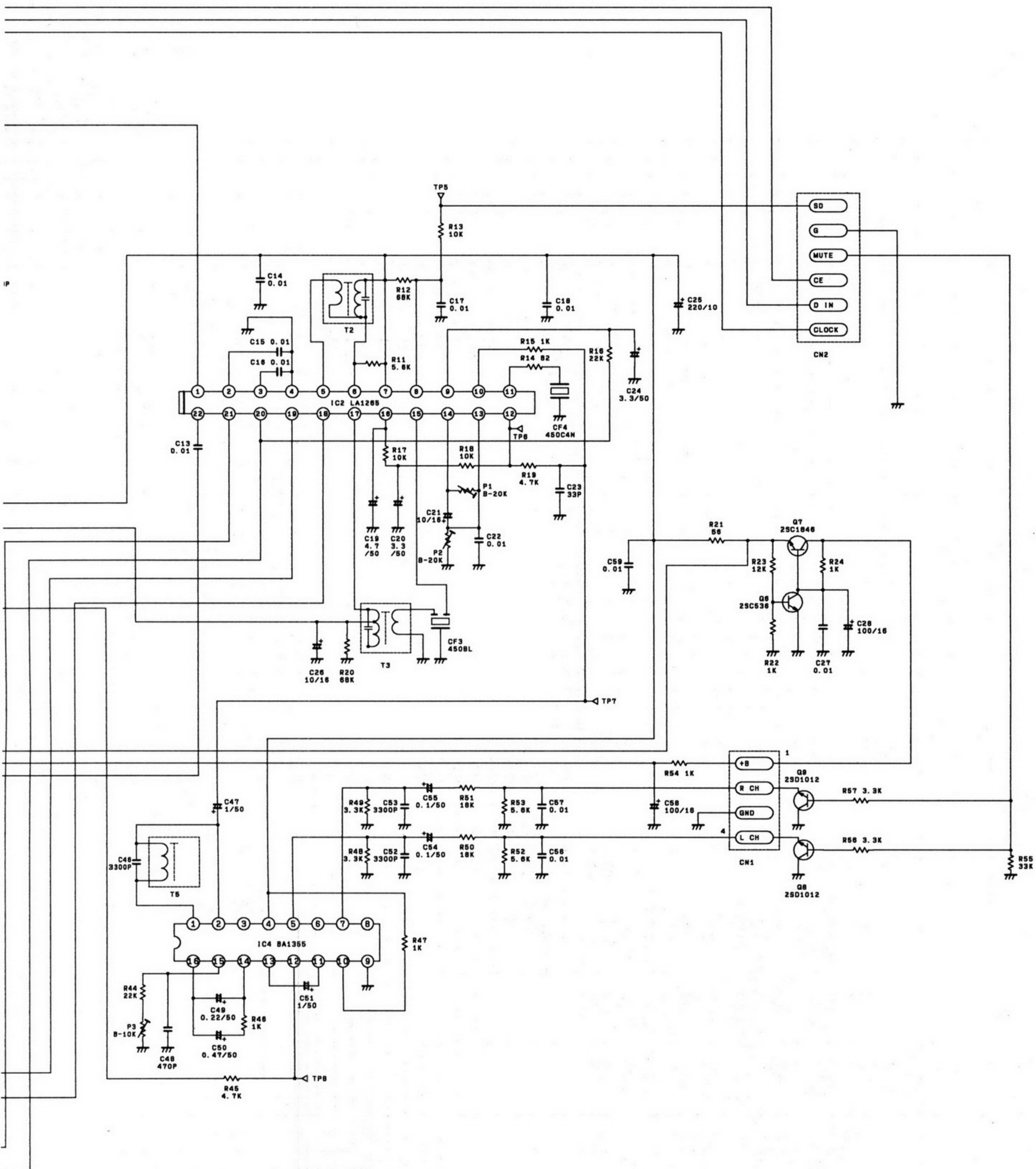
Power Source	
AC .....	115/230V
Output Power (Max. Music Power) .....	15Wx2
Power Consumption .....	36W
<b>CD</b>	
Frequency Response .....	20Hz ~ 20kHz
S/N Ratio .....	90dB
Wow and Flutter .....	Unmeasurable
Sampling Frequency .....	44.1kHz
Error Correction .....	CIRC
Optical Pick-up .....	3-beam laser
<b>TAPE</b>	
Recording System .....	AC Bias
Erasing System .....	AC Erasing
Tape Speed .....	1-7/8ips. $\pm 3\%$
Wow & Flutter .....	0.15% (WRMS)

Torque	
Playback .....	30 ~ 60g-cm
Fast Forward/Rewind .....	more than 60g-cm
Fast Forward/Rewind Time .....	120sec. (with C-60)
Frequency Response (Overall)	
Fe <sub>2</sub> O <sub>3</sub> .....	40Hz ~ 14,000Hz
Erase Ratio (Overall, with Fe <sub>2</sub> O <sub>3</sub> ) .....	60dB
Signal to Noise Ratio (with Fe <sub>2</sub> O <sub>3</sub> ) .....	43dB
Crosstalk (with Fe <sub>2</sub> O <sub>3</sub> )	
Track to Track .....	50dB
Channel Separation (with Fe <sub>2</sub> O <sub>3</sub> ) .....	35dB
Harmonic Distortion (K3/with Fe <sub>2</sub> O <sub>3</sub> ) .....	3%
Hum & Noise (at Vol. Min.) .....	-60dBs
<b>TUNER</b>	
Frequency Range	
AM .....	520 ~ 1,630kHz (10kHz Step)
FM .....	522 ~ 1,629kHz (9kHz Step)
FM .....	87.5 ~ 108MHz

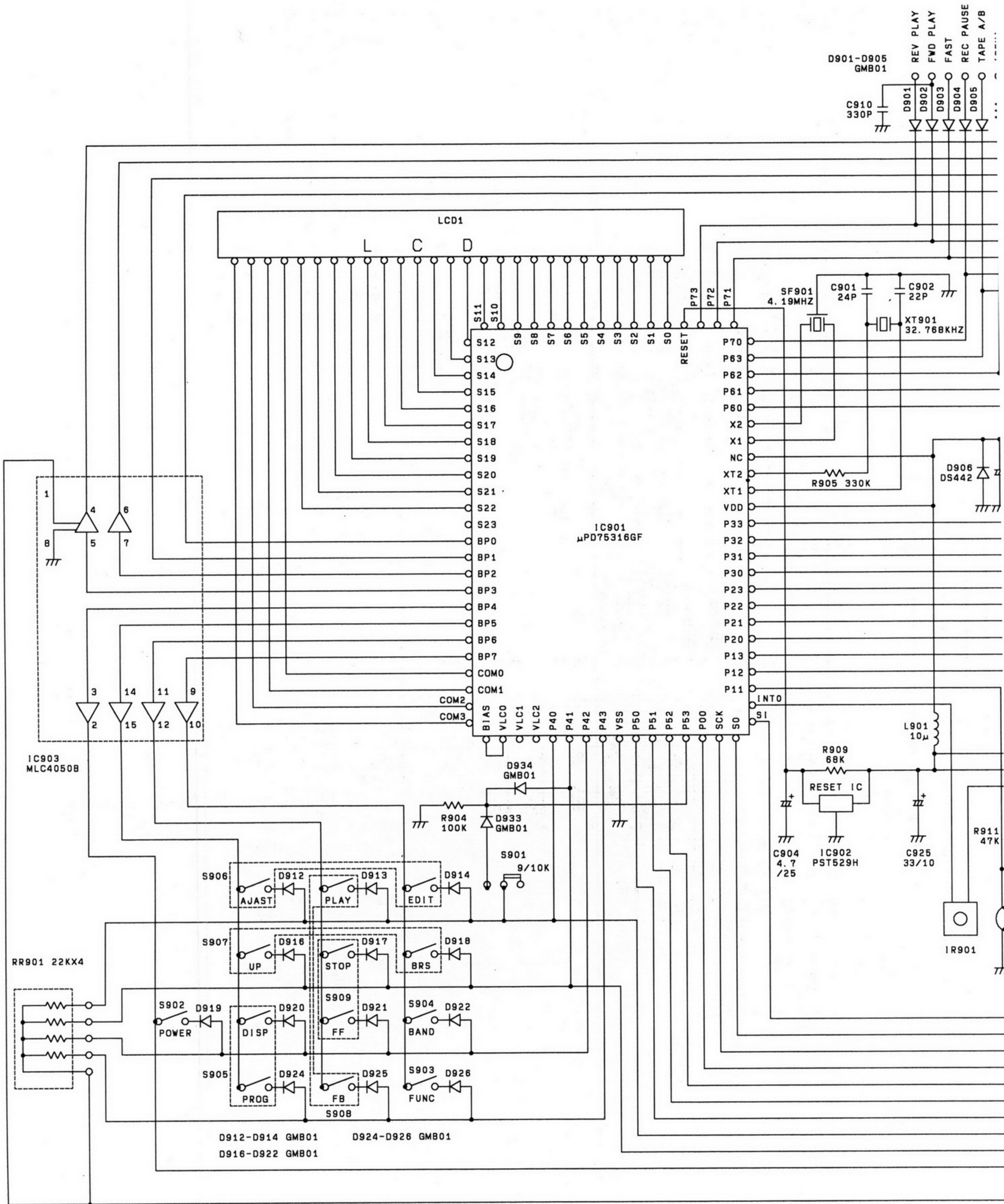
Specifications and design are subject to change without notice.



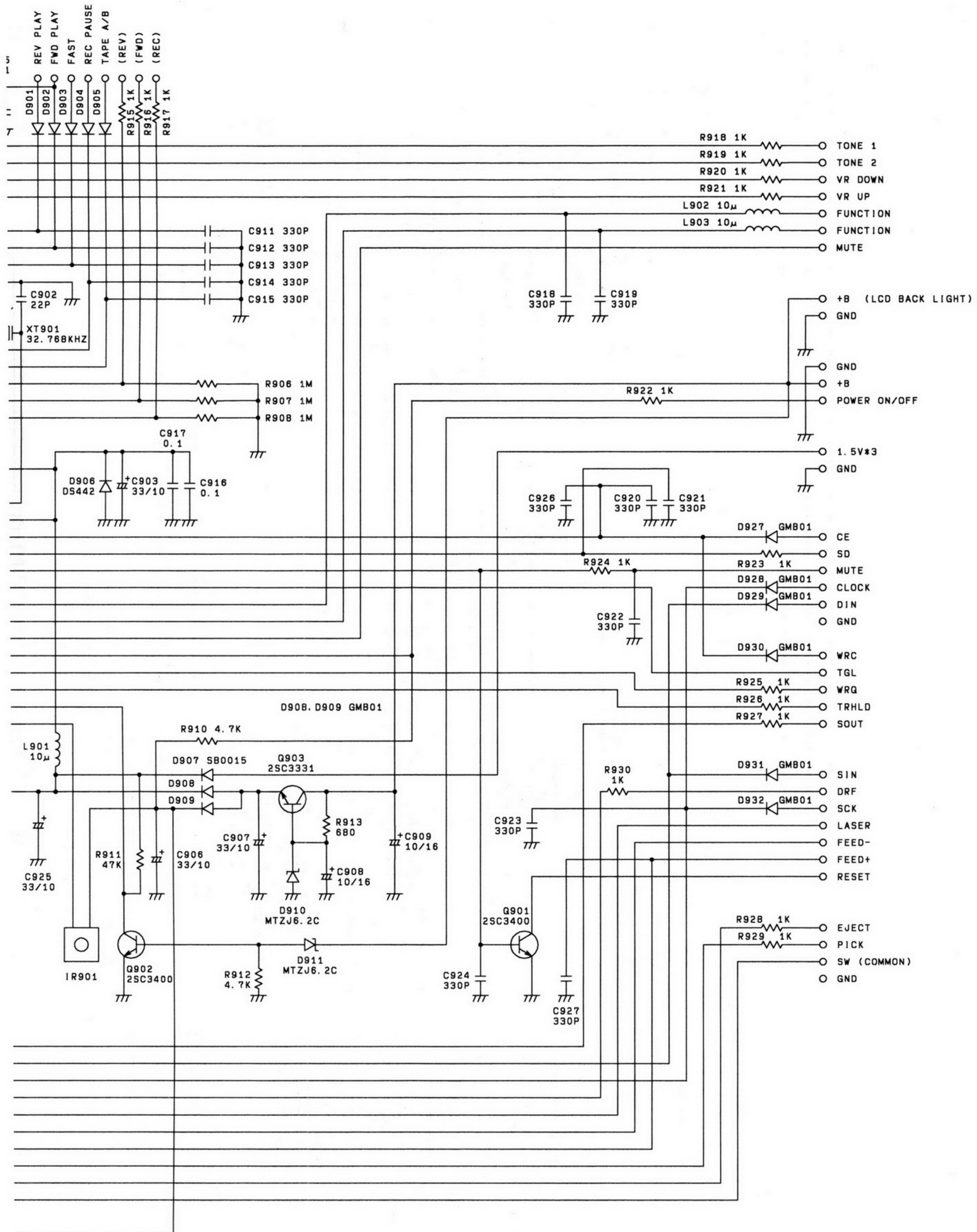
# SCHEMATIC DIAGRAM (Tuner)



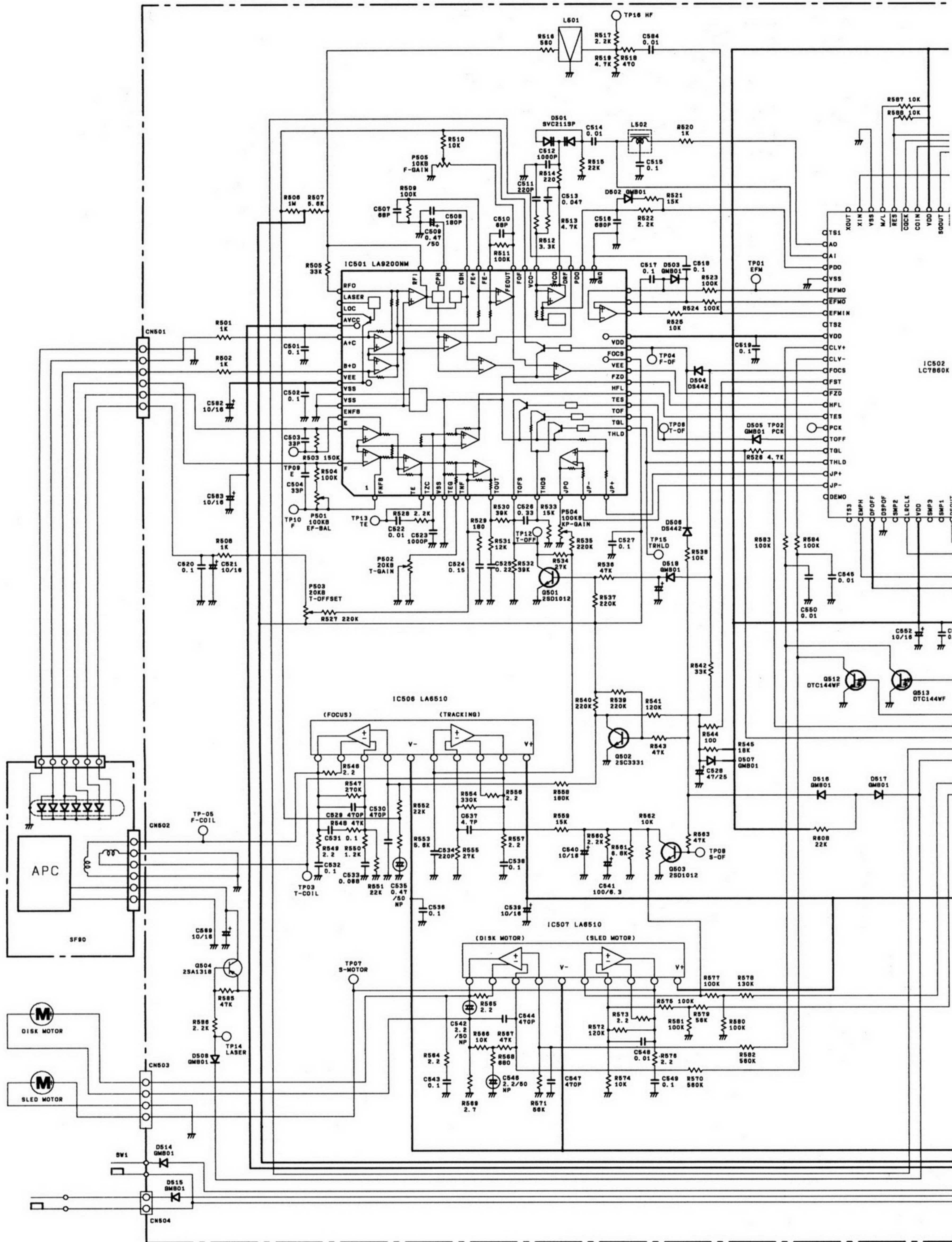
# SCHEMATIC DIAGRAM (C)



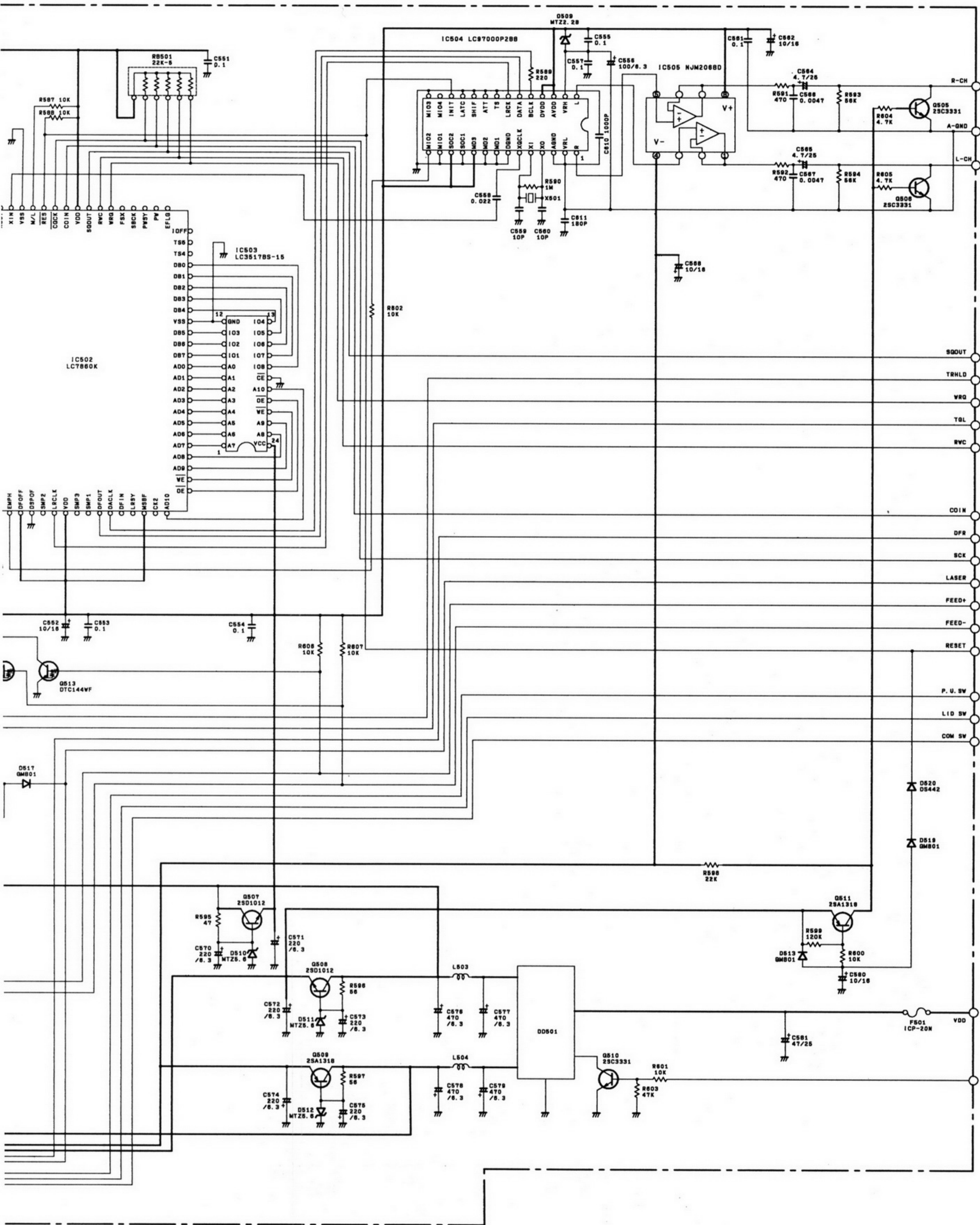
# AGRAM (Control)



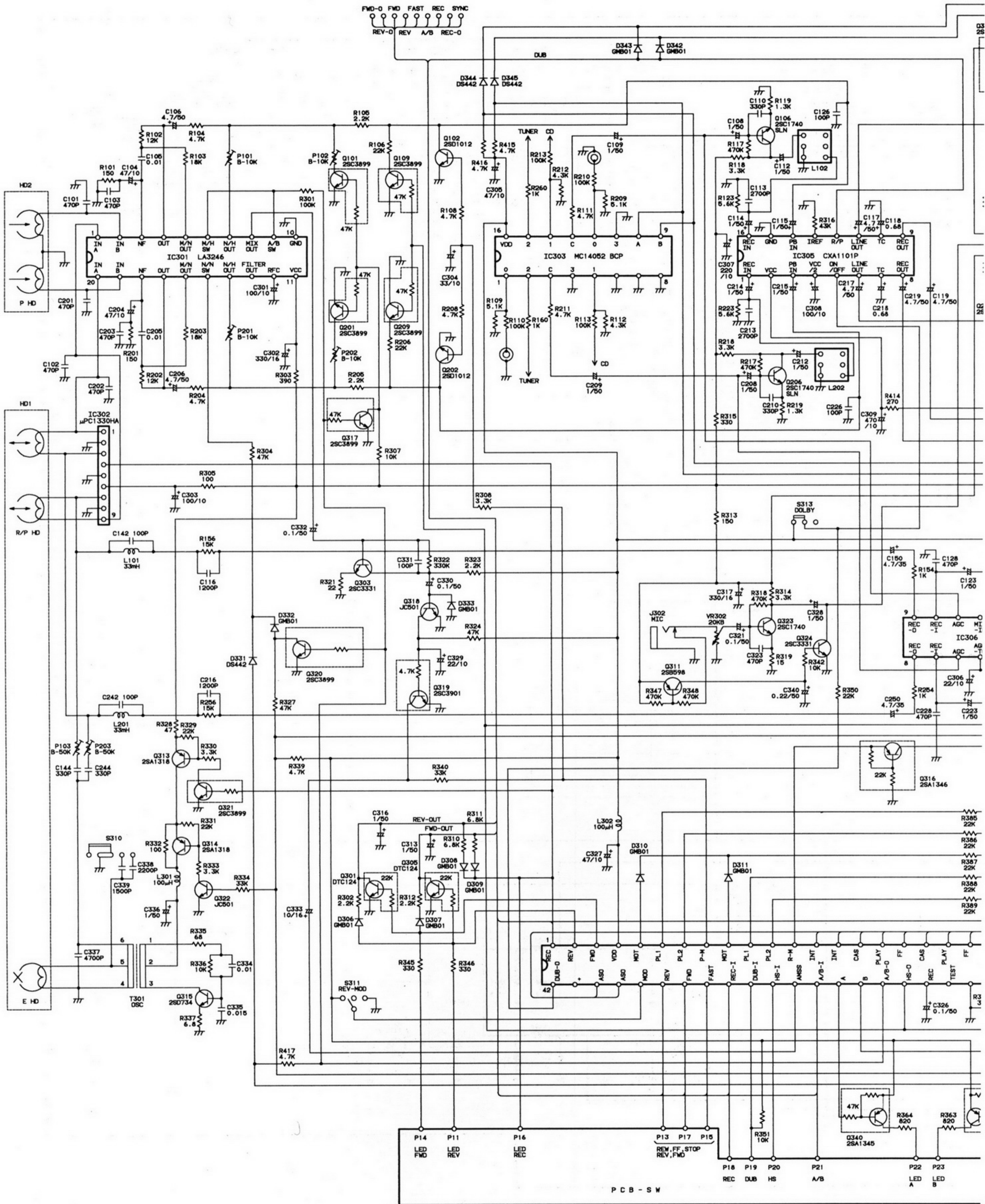
# SCHEMATIC D



# SCHEMATIC DIAGRAM (CD)

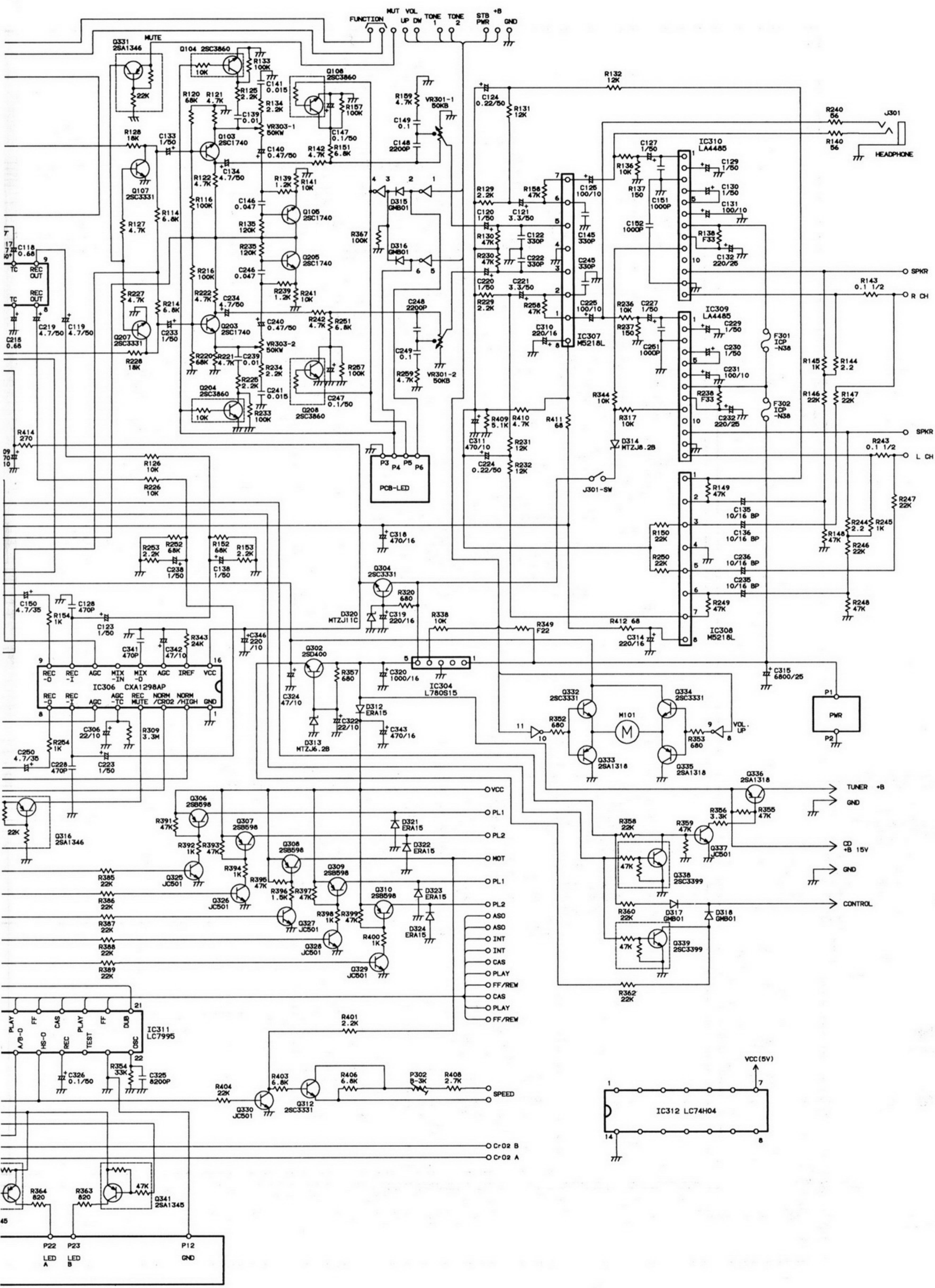


# SCHEMATIC DIAGRAM (Am





# GRAM (Amplifier 1)



# SCHEMATIC DIAGRAM (Amplifier 2)

