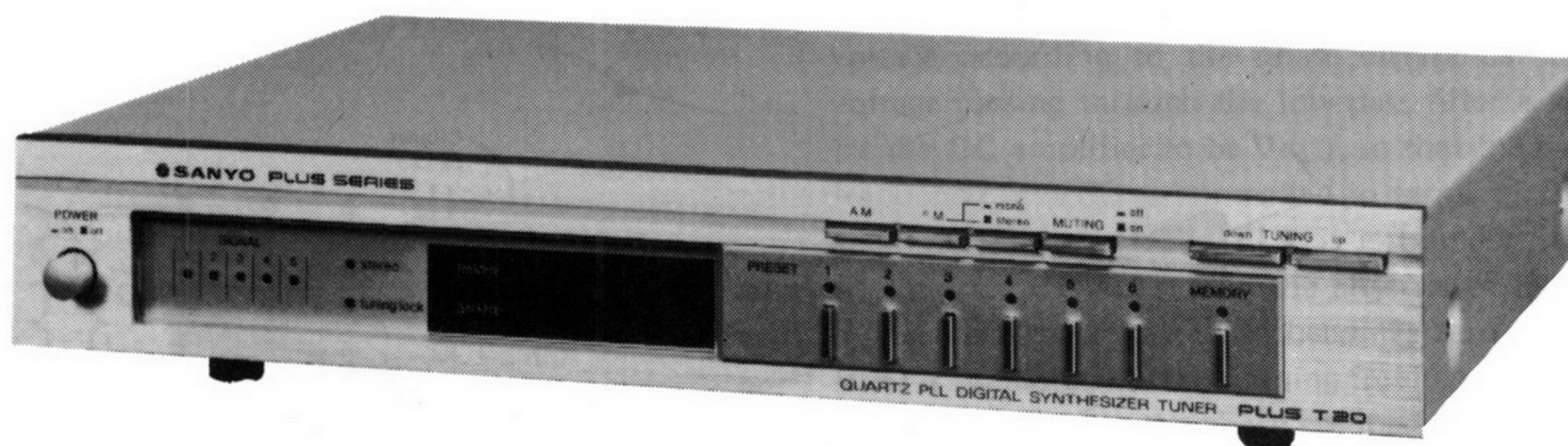


SERVICE MANUAL

AM/FM STEREO TUNER

 **SANYO****PLUS T20**

(EUROPE)



SPECIFICATIONS

FM Section

Frequency range	87.55 – 108 MHz (50 kHz steps)
Usable sensitivity	
Mono	0.8 μ V (26 dB)
Stereo	40 μ V (46 dB)
Signal-to-noise ratio (1mV ANT.)	
Mono	60 dB
Stereo	55 dB
Harmonic distortion at 1 kHz	
Mono	0.15%
Stereo	0.2%
Frequency response	20 Hz – 15 kHz (\pm 1.0 dB)
Alternate channel selectivity	70 dB
Capture ratio	1.8 dB
AM suppression	68 dB
Stereo separation at 1 kHz	46 dB
Spurious response rejection	70 dB
Image rejection ratio	80 dB
IF rejection ratio	100 dB
Muting threshold	5 μ V
Aerial input	75 ohms unbalanced

AM Section

Frequency range	531 – 1602 kHz (1 kHz steps)
Sensitivity	300 μ V/m
Signal-to-noise ratio (at 10mV/m)	
Selectivity	45 dB
Image rejection	55 dB
IF rejection	40 dB
Aerial	External ferrite bar aerial

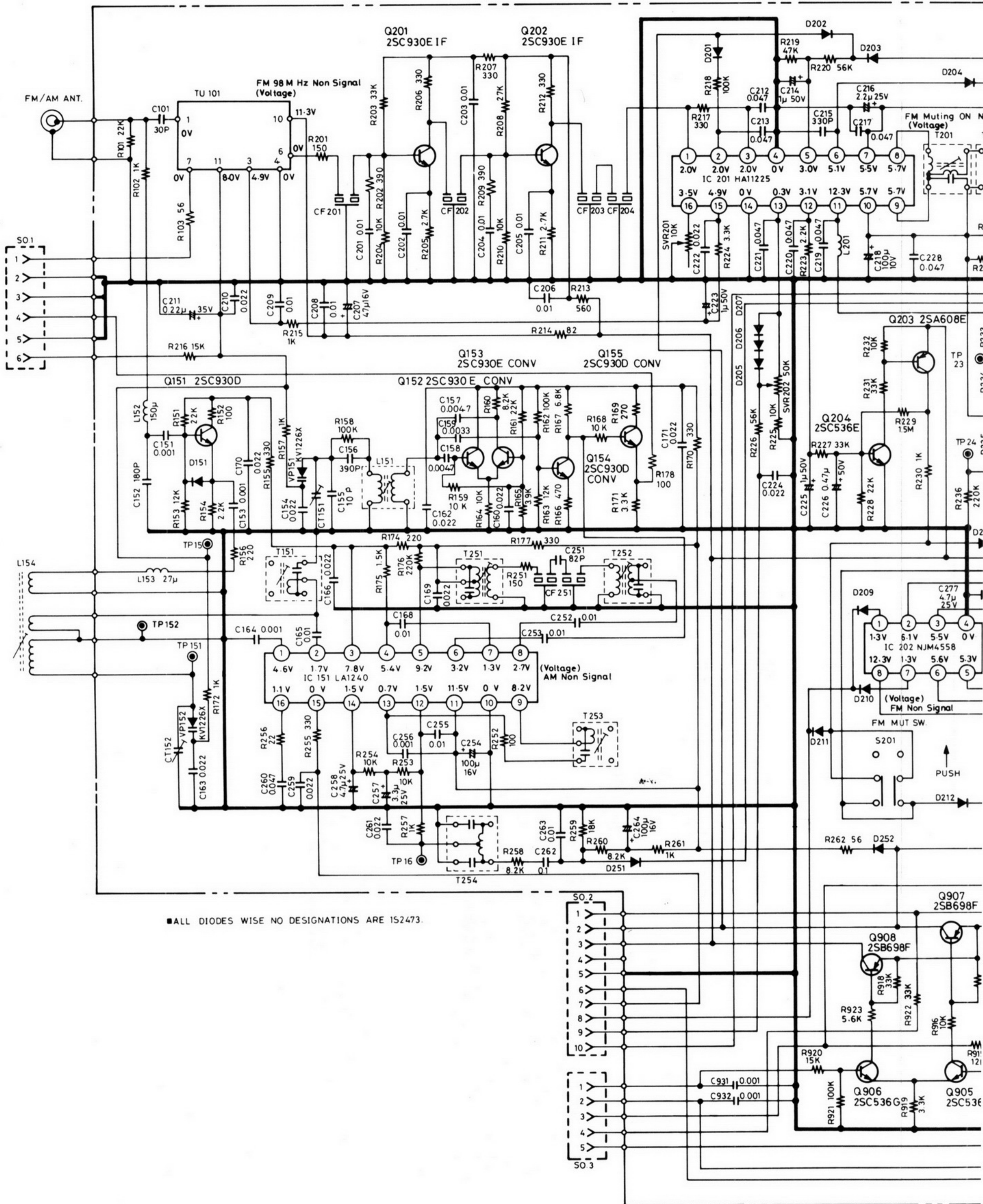
General

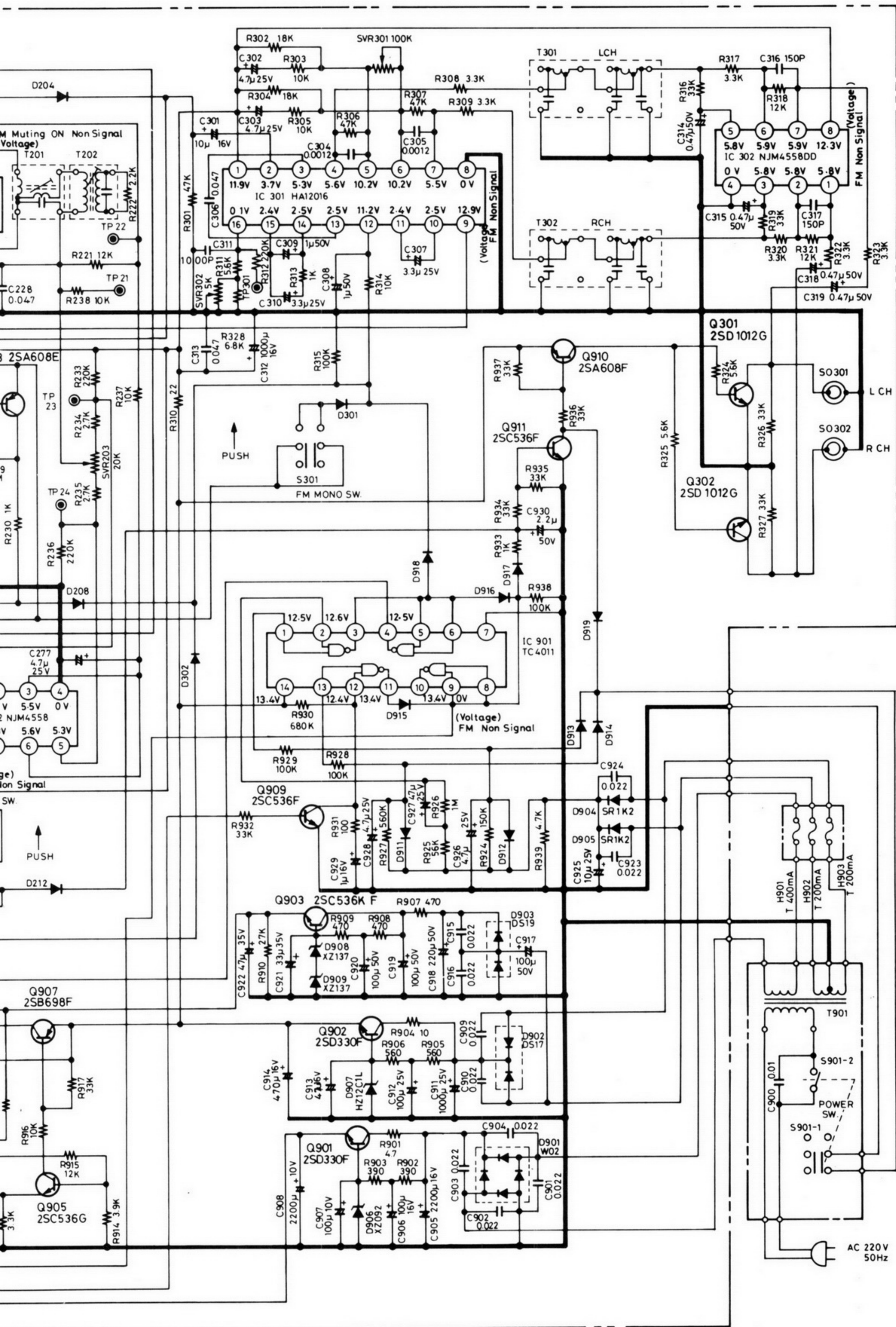
Power requirements	AC: 220V, 50 Hz
Power consumption	10 W
Dimensions (Approx.)	298(W) x 230(D) x 44(H)mm (11-3/4" x 9-1/16" x 1-3/4")
Weight (Approx.)	2.4 kg (5 lbs. 5 ozs.)

* Specifications subject to change without notice.

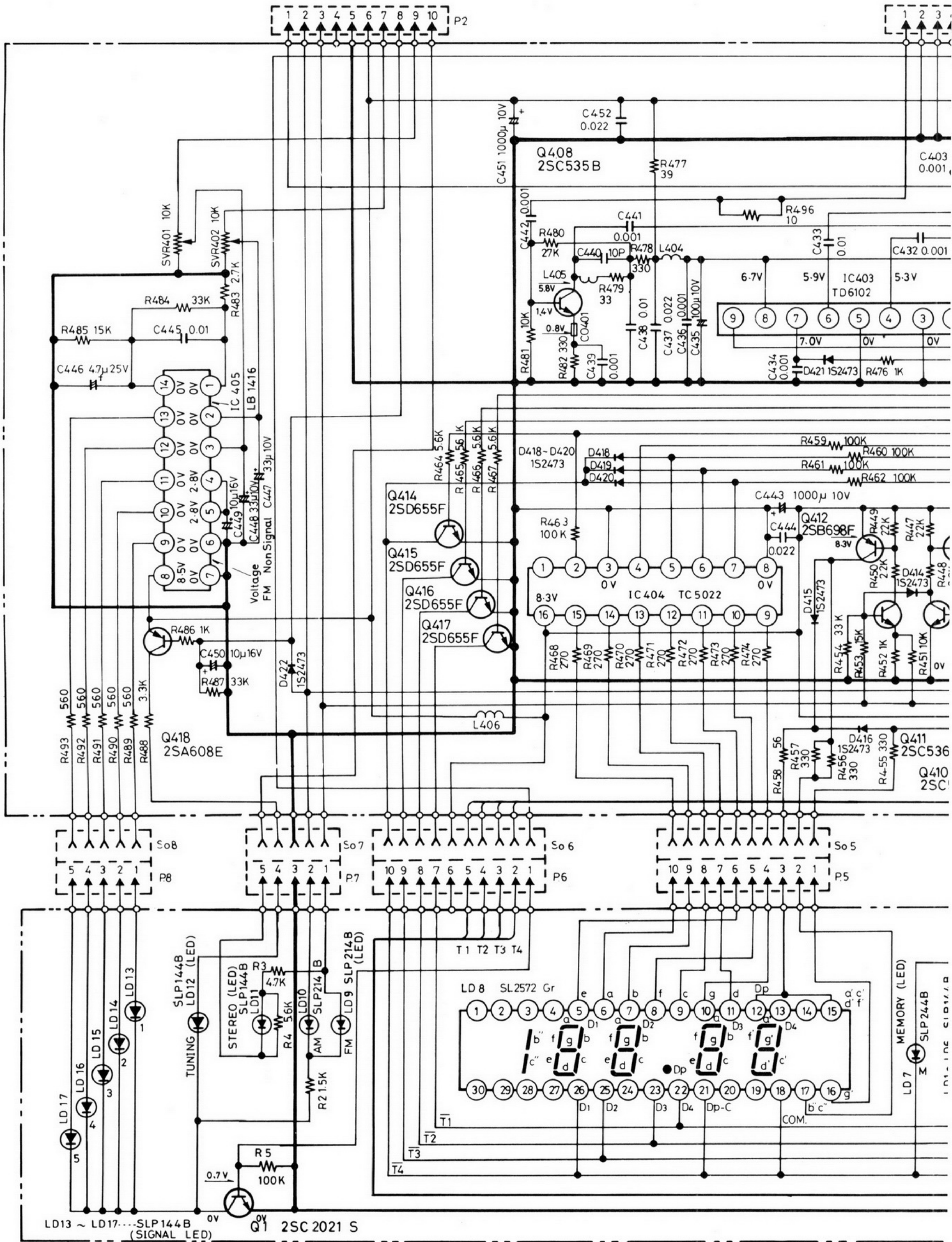
WM-5382

SCHEMATIC DIAGRAM (TUNER)

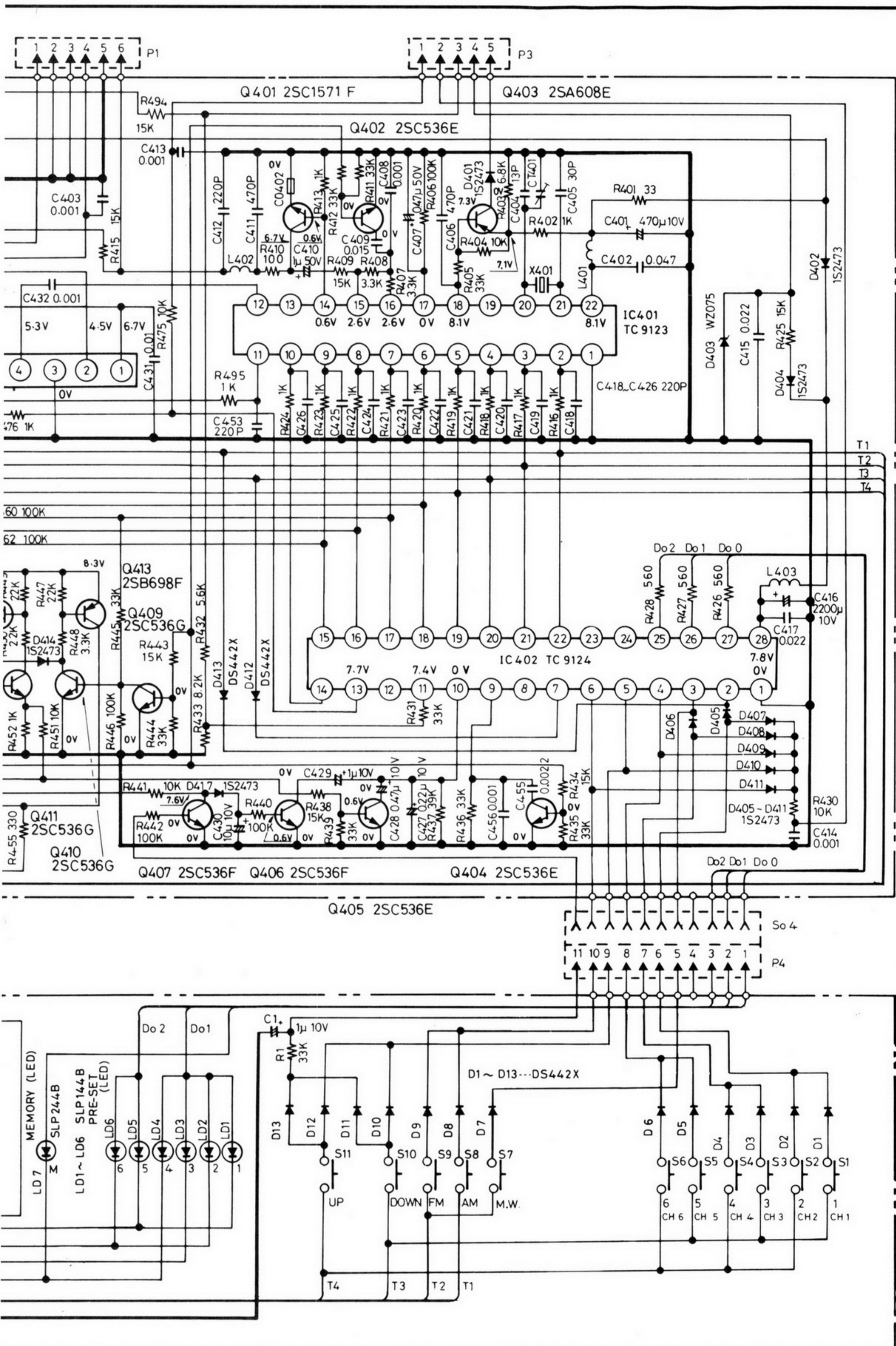




SCHEMATIC DIAGRAM (SYNTHESIZER · DISPLAY)



NOTE : Voltage omitted for dynamic c



dynamic operation.