

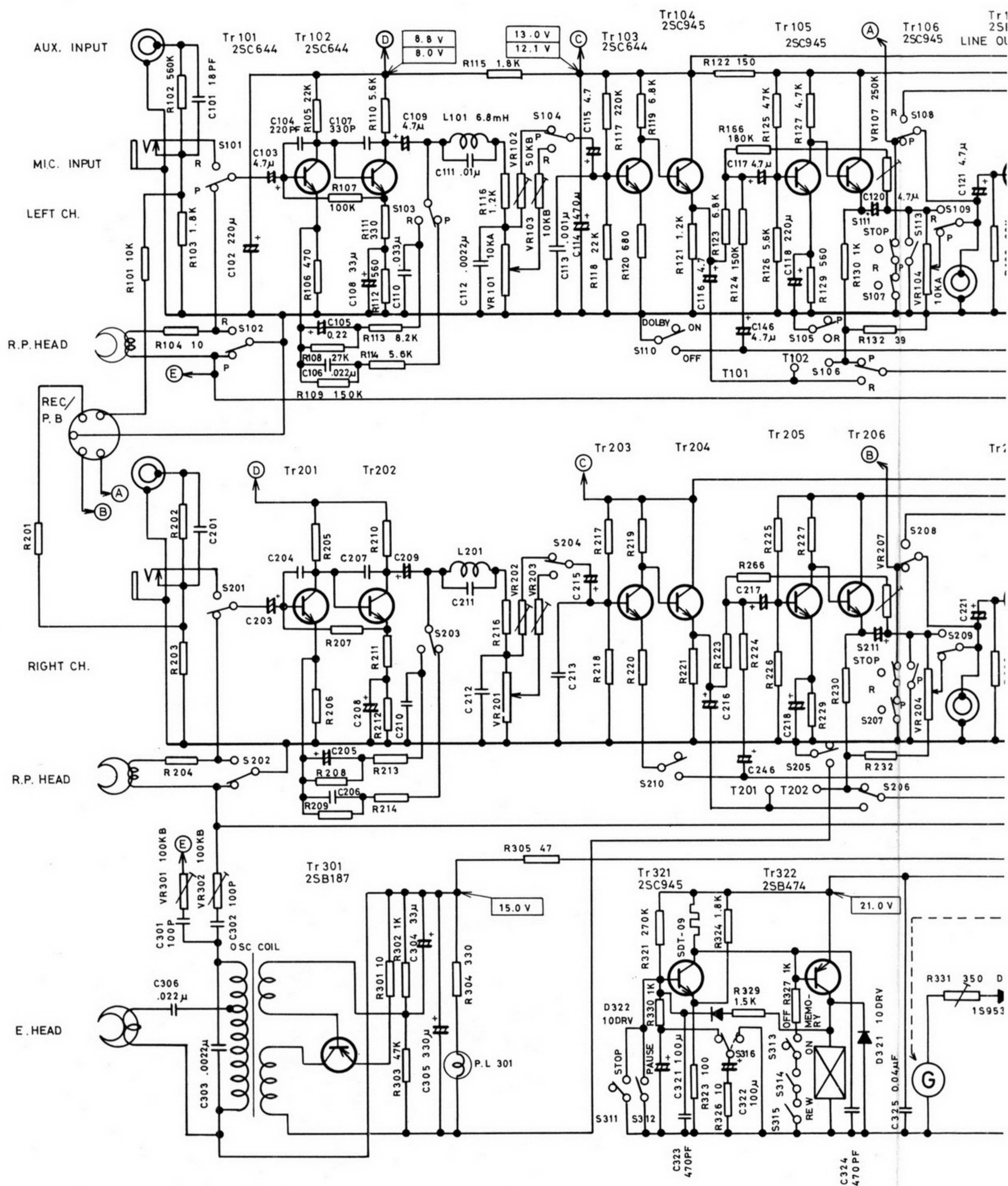


SANYO

**SANYO
CASSETTE TAPE DECK
RD4300
SERVICE MANUAL**

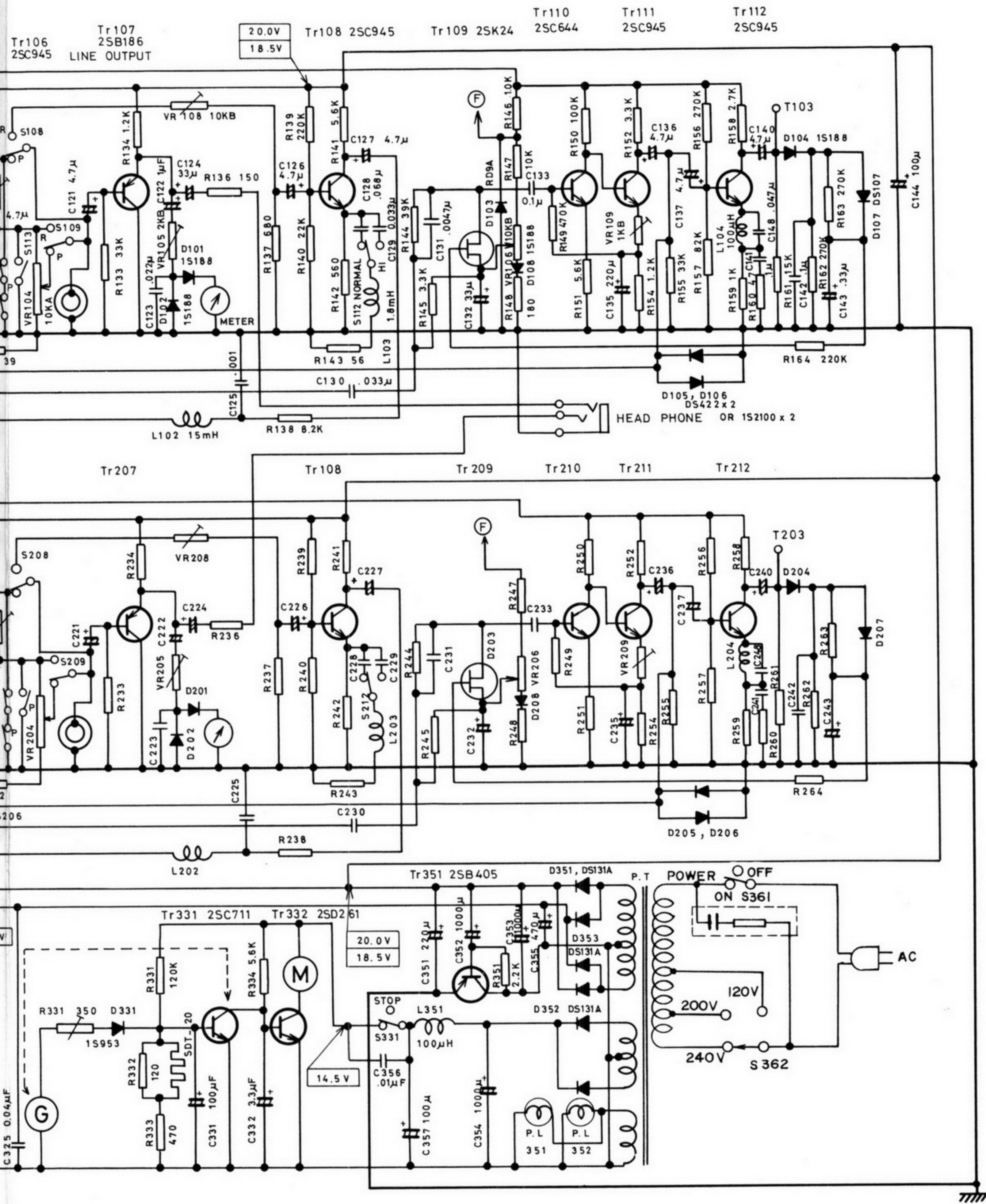


SCHEMATIC DIAGRAM



- S101 - S109) R.P. SW, PLAY POSITION.
- S201 - S209)
- S210, S110) DOLBY SW, ON POSITION.
- S111, S211) OUTPUT SW, PLAY, REW, F.F POSITION.
- S112, S212) TAPE SELECT SW, NORMAL POSITION.
- S113, S213) INSTANT ON AT STOP.

- S311) STAAR CIRCUIT STOP SW
- S312) " " " " " "
- S313) MEMORY SW, OFF POSIT
- S314) " " " " BUILT IN M
- S315) MEMORY SW, AT REW 0
- S331) MOTOR SW, PLAY REW
- S361) POWER SW, OFF POSI
- S316) STAAR SW,
- S362) VOLTAGE SELECTOR SW, 2



CIRCUIT STOP SW, PLAY REW, F.F POSITION.
 " " , AT PAUSE SHORTED.
 SW, OFF POSITION.
 " , BUILT IN MEMORY COUNTER.
 SW, AT REW ON.
 SW, PLAY REW, F.F POSITION.
 SW, OFF POSITION.
 SW.
 SELECTOR SW, 240V POSITION

PL 301 REC. LAMP.
 PL 351, 352 METER ILLUMINATION.