

SERVICE MANUAL

CASSETTE TAPE DECK



RD5503

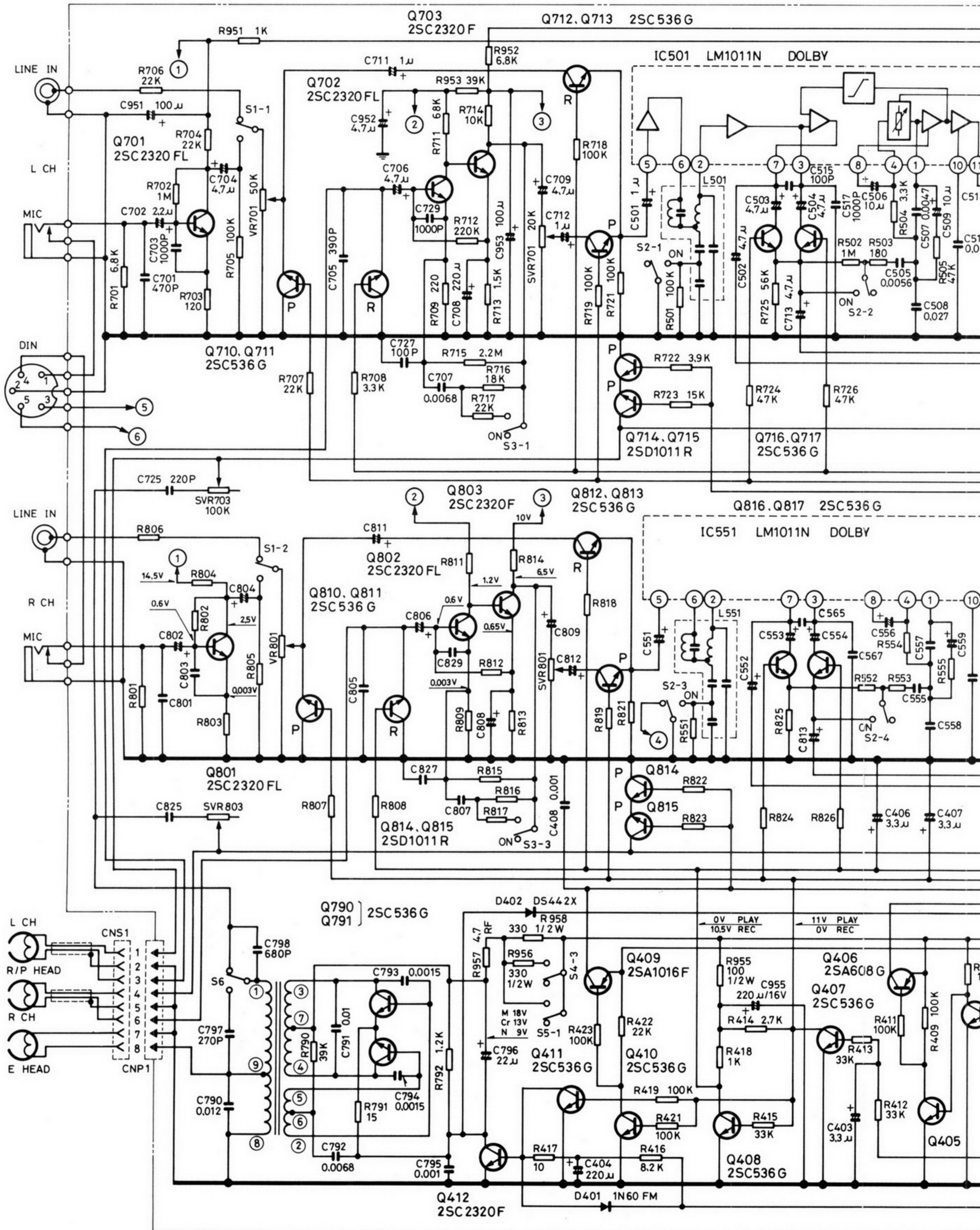


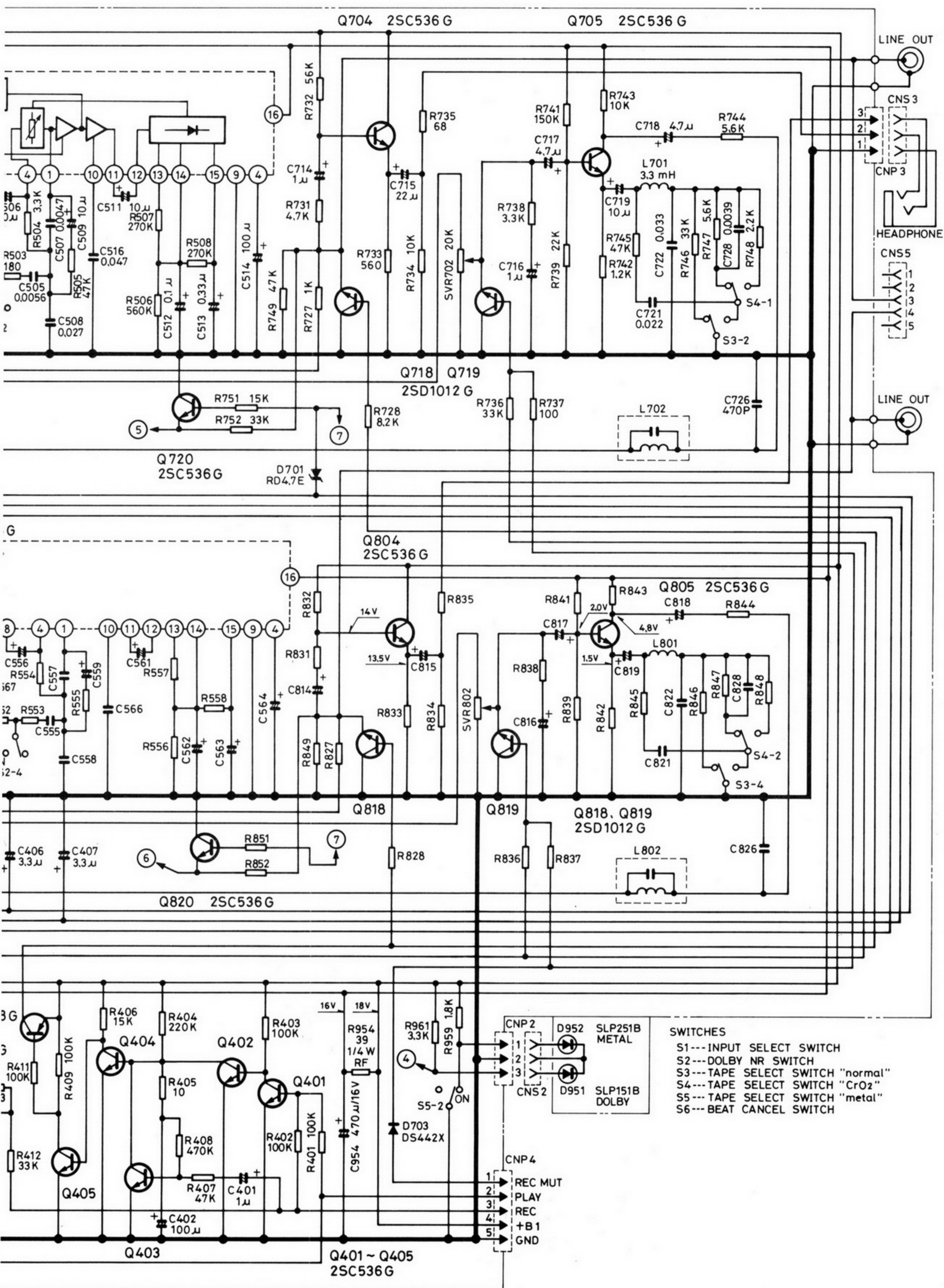
SPECIFICATIONS

Tape	Metal, CrO ₂ , Low noise and standard tape
Recording system	AC bias, 4-track stereo
Erasing system	AC erasing, 2-track
Tape speed	4.75 cm/sec. (1-7/8 i.p.s.)
Recording time	60 min. (C-60)
Rewind and fast forward time	105 sec. (C-60)
Wow and flutter	0.04% WRMS
Frequency response	20 - 18,000 Hz (metal) 20 - 16,000 Hz (CrO ₂) 20 - 13,000 Hz (normal)
Signal to noise ratio	67 dB (Dolby NR on, CrO ₂ tape) 59 dB (Dolby NR off, CrO ₂ tape)
Input	MIC: 400 ohms to 10 kohms (0.3 mV) DIN (REC/PLAY): 6.8 kohms (0.68 mV) LINE IN: 50 kohms (64 mV)
Output	DIN (REC/PLAY) 35 kohms (0.53V) LINE OUT: 3 kohms (0.53V) PHONES: 8 ohms to 10 kohms
Power source	AC: 110/220V, 50 Hz
Power consumption	22W
Dimensions (Approx.)	440(W) x 290(D) x 117(H) mm (17-5/16" x 11-7/16" x 4-5/8")
Weight (Approx.)	5 kg (11 lbs.)

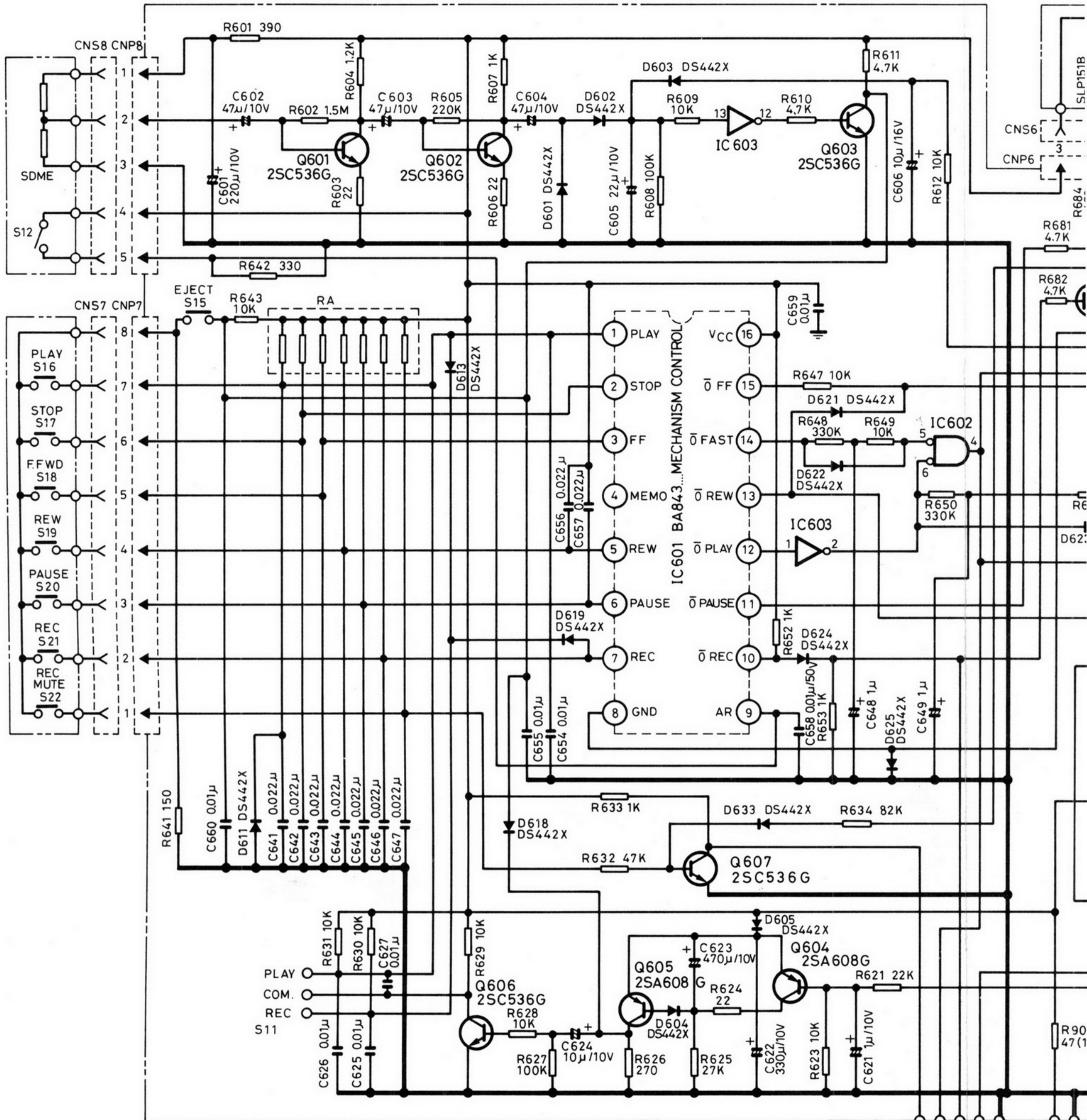
* Specifications subject to change without notice.

AMP. SCHEMATIC DIAGRAM





CONTROL/POWER SUPPLY SCHEMATIC DIAGRAM



- S11.....TIMER STANDBY SWITCH
- S12.....SWITCH FOR PREVENTION OF ACCIDENTAL ERASING
- S13.....VOLTAGE SELECTOR SWITCH
- S15.....EJECT SWITCH
- S16.....PLAY SWITCH
- S17.....STOP SWITCH
- S18.....FFWD SWITCH
- S19.....REW SWITCH
- S20.....PAUSE SWITCH
- S21.....RECORD SWITCH
- S22.....REC MUTE SWITCH
- S90.....POWER SWITCH

