

SERVICE MANUAL



*US Model
Canadian Model
AEP Model
UK Model
E Model
Australian Model*

MEGA BASS Discman

Model Name Using Similar Mechanism	D-12/22
CD Mechanism Name	KSM-220AAN

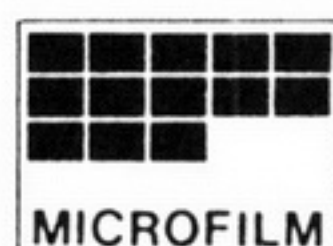
SPECIFICATIONS

<p>CD section System Laser diode properties</p>	<p>Compact disc digital audio system Material: GaAlAs Wavelength: 780 nm Emission duration: Continuous Laser output: Less than 44.6 μW (This output is the value measured at a distance of 200 mm from the objective lens surface on the Optical Pick-up Block.)</p>	<p>Dimension</p>	<p>Approx. 138.3×40×151.5mm (5½×1½×6 in.) (w/h/d) incl. projecting parts and controls</p>
<p>Frequency response Output (at 9V input level)</p>	<p>20–20,000 Hz: ±1 dB (EIAJ) Line output (stereo minijack) Output level 1 V rms at 47 kilohms Load impedance over 10 kilohms Headphones (stereo minijack) 9 mW + 9 mW at 32 ohms</p>	<p>Weight</p>	<p>Approx. 440g (1 lb) net Approx. 535g (1 lb 3 oz) incl. batteries</p>
<p>General Power requirements</p>	<p>DC 6V, four size AA (LR6) alkaline batteries DC IN 9V jack accepts: • Supplied AC power adaptor • Sony CPM-100P/200P mount plate (optional) for use on 12 V car battery</p>	<p>Supplied accessories</p>	<p>AC power adaptor (1) Connecting cord (1) Hand strap (1) Stereo headphone (1)</p>
<p>Power consumption</p>	<p>1.2W DC</p>	<p>Optional accessories</p>	<p>Car battery cord DCC-50/DCC-120A Car connecting pack CPA-2 Mount plate CPM-100P/200P Plate arm CPM-100A/200A Active speaker SRS-77G</p>

Design and specifications subject to change without notice.

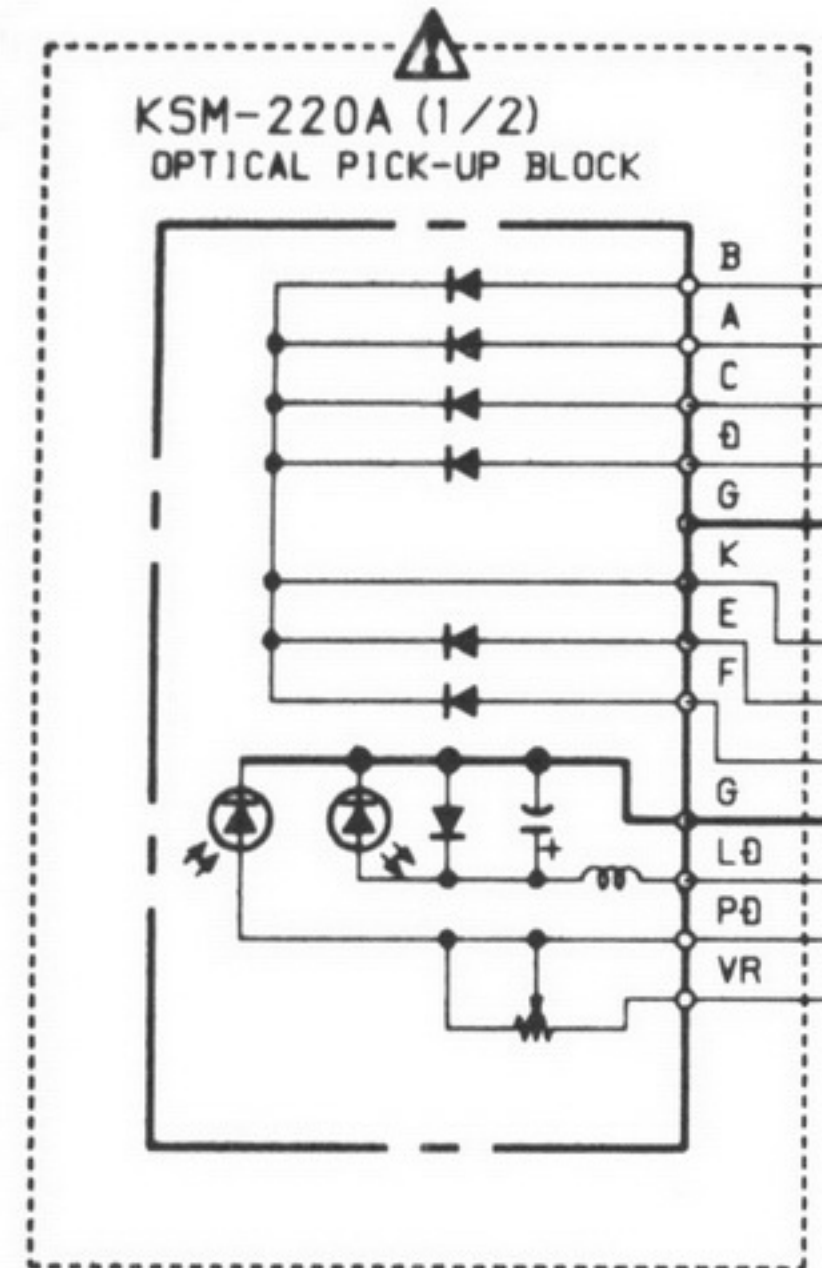
CAUTION

Use of controls or adjustments or performance of procedures other than those specified herein may result in hazardous radiation exposure.

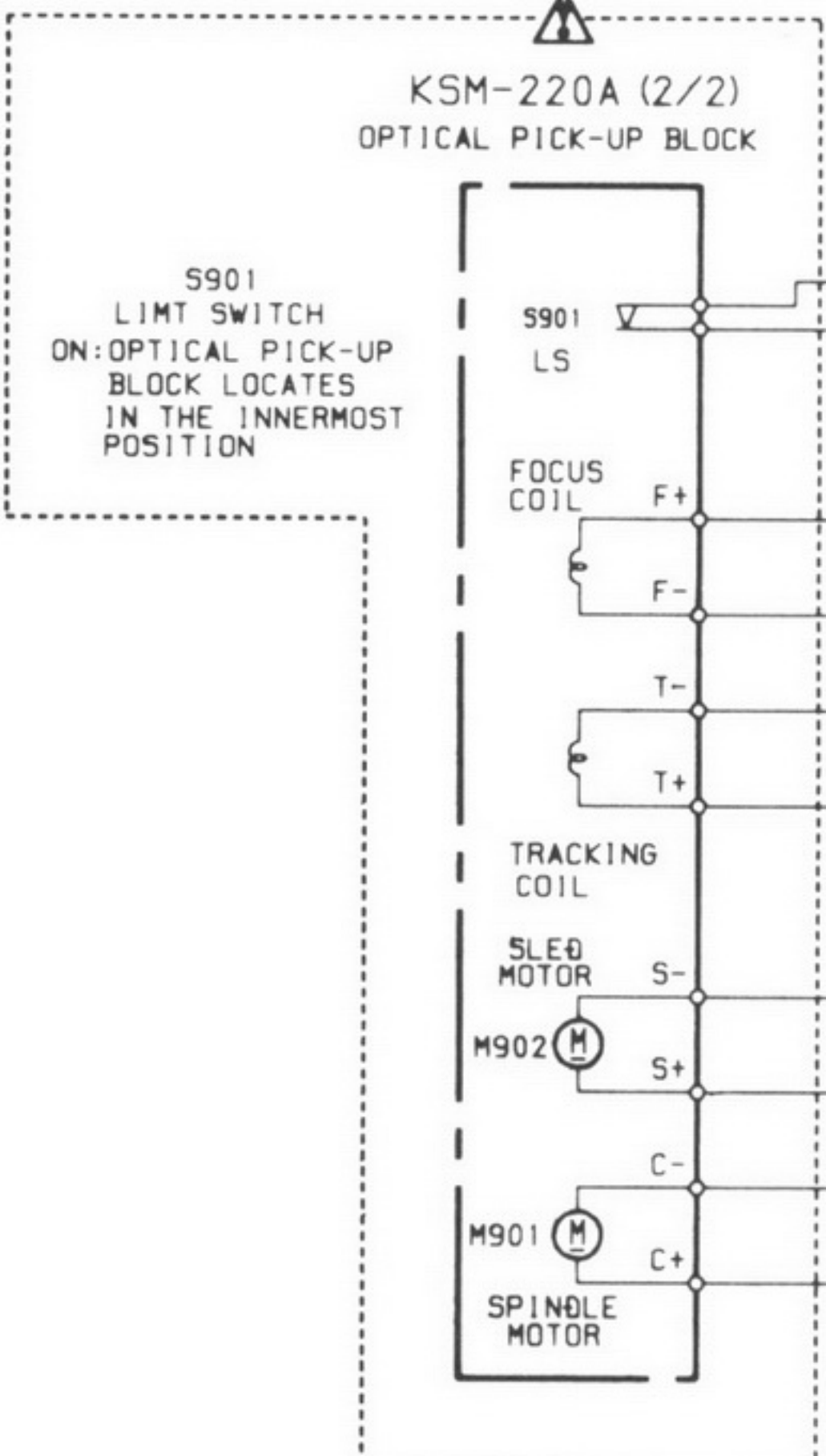
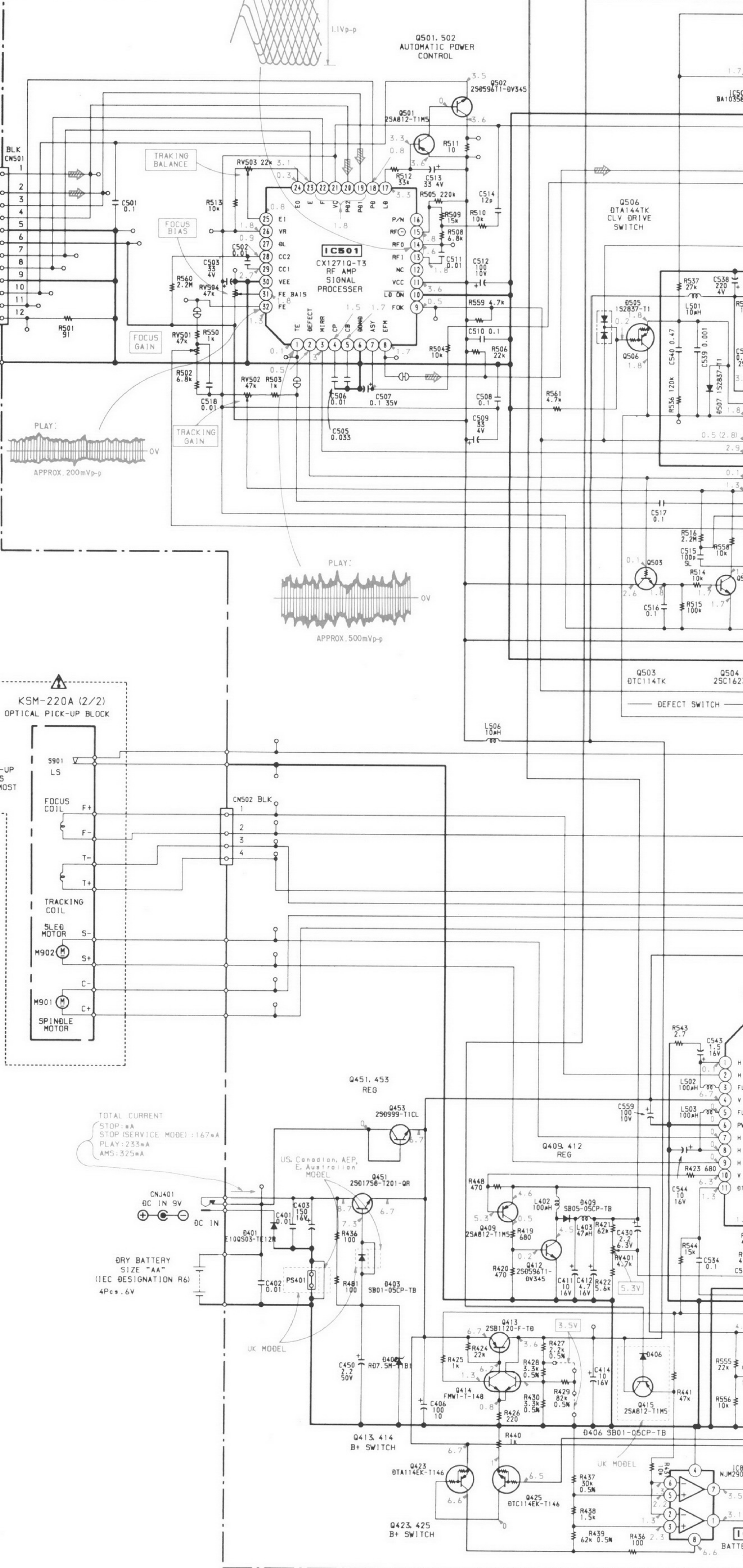


COMPACT DISC COMPACT PLAYER SONY®

A
B
C
D
E
F
G
H
I
J
K
L
M
N
O
P



[MAIN BOARD]

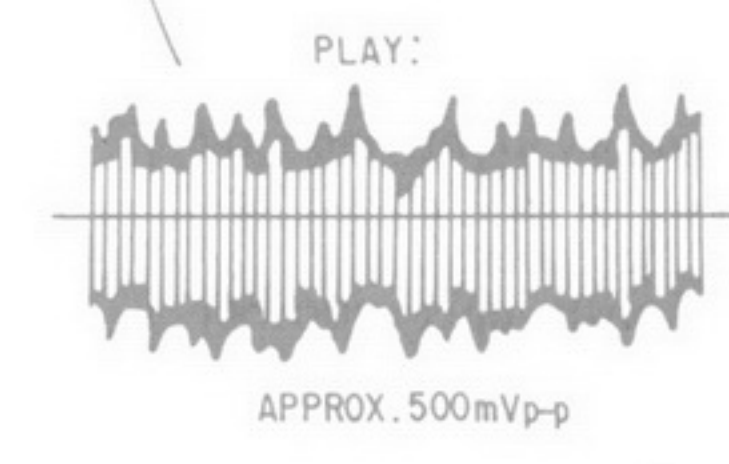
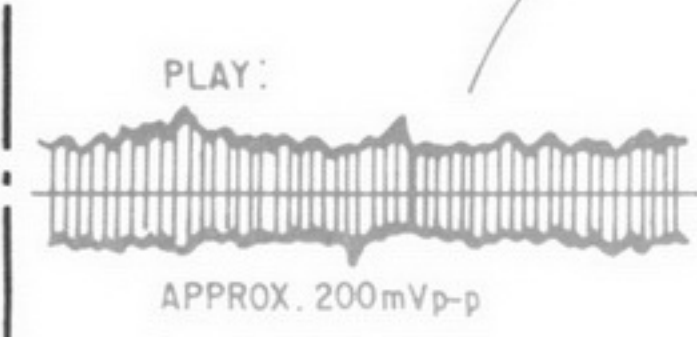
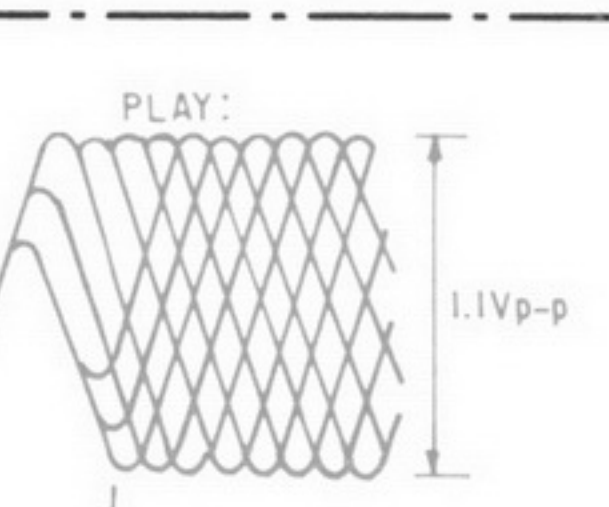


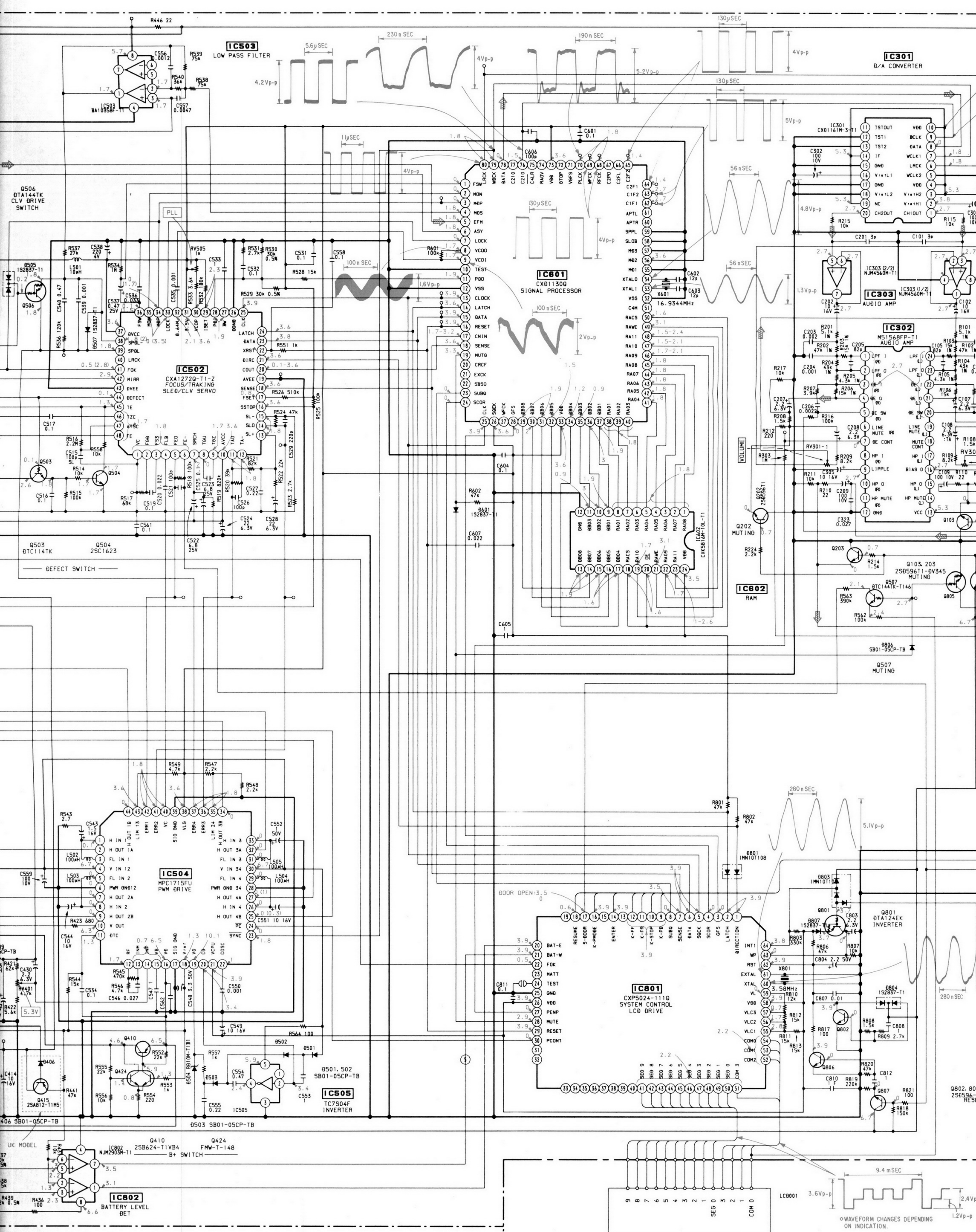
TOTAL CURRENT
STOP: 1.67mA
STOP (SERVICE MODE): 1.67mA
PLAY: 2.23mA
AMS: 3.25mA

DC IN 9V
CNJ401

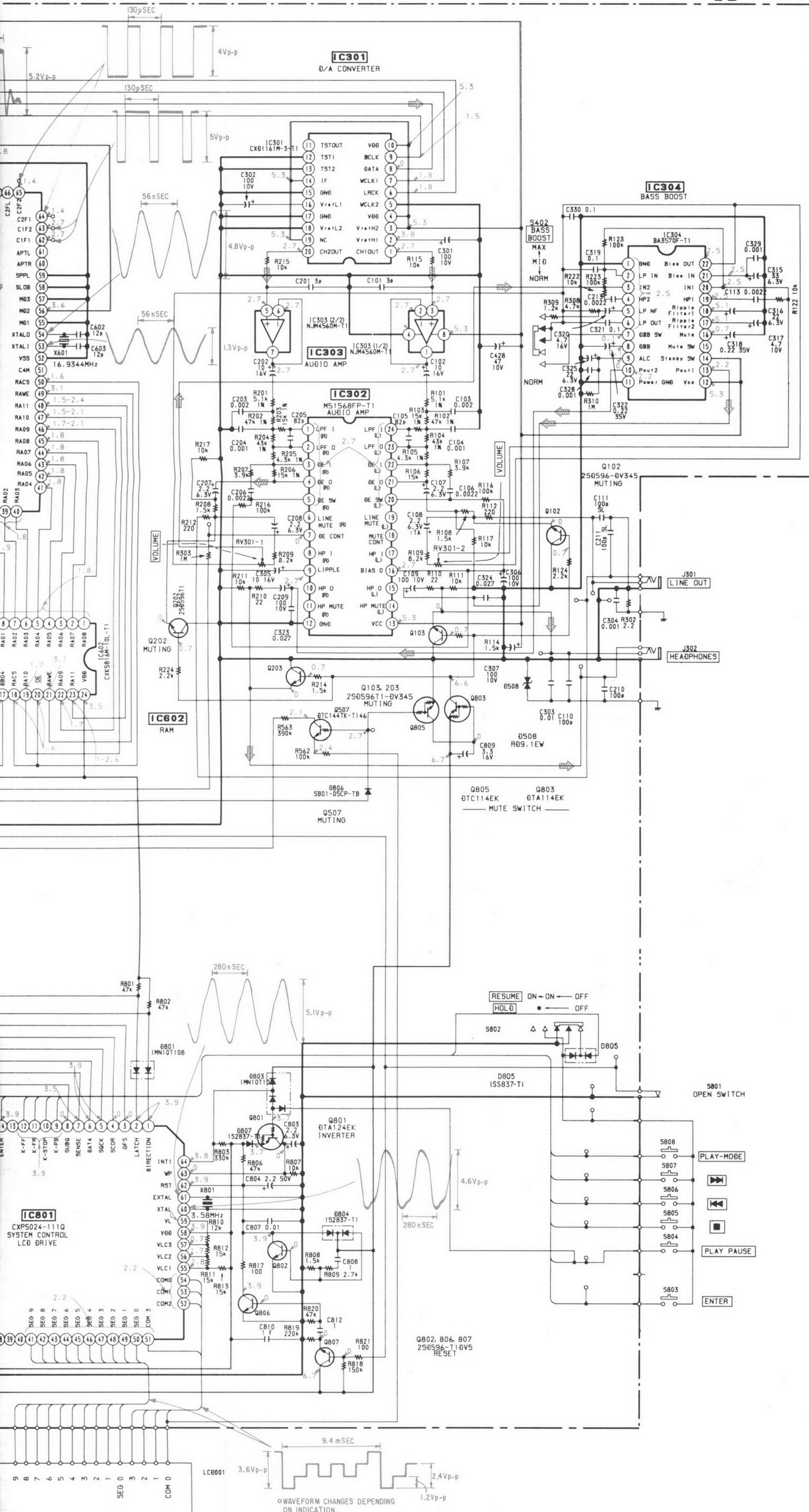
DC IN 9V
CNJ401

DRY BATTERY
SIZE "AA"
(IEC DESIGNATION R6)
4Pcs. 6V





CD メイン基板



Note:

- All capacitors are in μF unless otherwise noted. pF : μF 50WV or less are not indicated except for electrolytics and tantalums.
- All resistors are in Ω and $\frac{1}{4}W$ or less unless otherwise specified.
- % : indicates tolerance.

Note:

The components identified by mark or dotted line with mark are critical for safety. Replace only with part number specified.

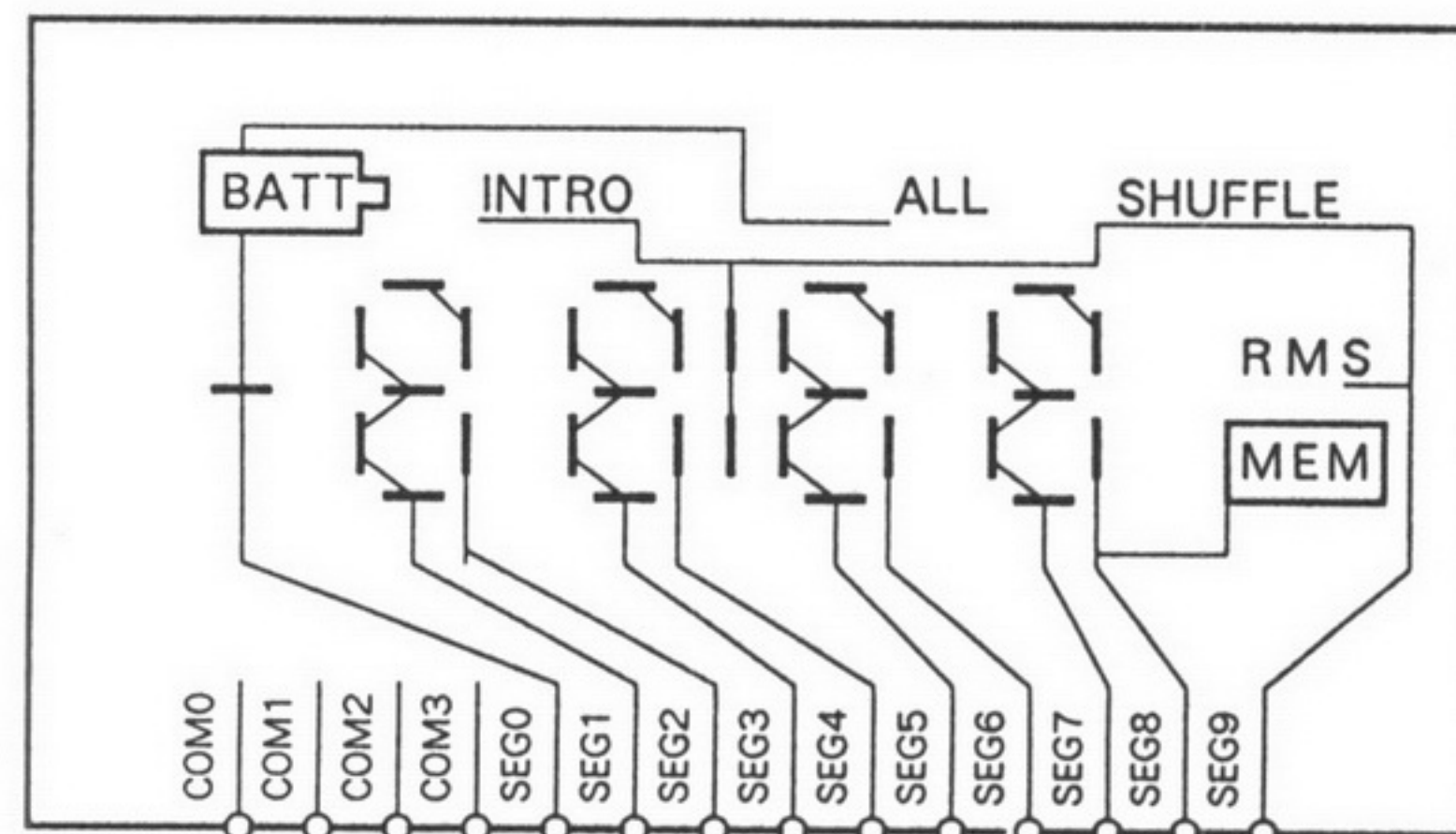
Note:

Les composants identifiés par une marque sont critiques pour la sécurité. Ne les remplacer que par une pièce portant le numéro spécifié.

- : B+ Line
- : adjustment for repair.
- Voltage and waveforms are dc with respect to ground in service mode. (See page 5 for set up service mode.) no mark : STOP () : PLAY
- Voltages are taken with a VOM (input impedance 10M Ω). Voltage variations may be noted due to normal production tolerances.
- Waveforms are taken with an oscilloscope. Voltage variations may be noted due to normal production tolerances.
- Signal path.
- : CD

LCD001

• SEGMENT



• COMMON

