

ICF-IR7

SERVICE MANUAL



US Model
Canadian Model
AEP Model
E Model
Australian Model

SPECIFICATIONS

Frequency ranges

Location of purchase	FM	AM (MW)
US, Canadian	87.5 – 108 MHz	530 – 1,710 kHz
AEP (Germany, Italian), E Australian	87.5 – 108 MHz	531 – 1,602 kHz

AM (MW) tuning interval

US, Canadian: 10 kHz
 AEP, E, Australian: 9 kHz

Intermediate frequency

FM: 10.7 MHz
 AM: 450 kHz

Antennas

FM: Cord antenna
 AM (MW): Built-in ferrite bar antenna

Speakers

Mid-range: 7.7 cm (3 1/8 in.)
 Impedance 6 ohms
 Woofer: 7.7 cm (3 1/8 in.)
 Impedance 5 ohms

Power output

2.0W+2.0W (at 10% of harmonic distortion)

Effective range of the infrared rays

Approx. 5 m (16.4 ft.) (The number may vary depending on the condition of the room, batteries, etc.)

Power requirements

Remote commander: DC 4.5V, three R6 (size AA) batteries
 Speaker: AC 120V, 60 Hz (US, Canadian)
 AC 240V, 50 Hz (Australian)
 AC 220–230V, 50 Hz (AEP, E)
 For power backup function: DC 3V two R6 (size AA) batteries

Battery life

Remote commander: Approx. 1 year (with Sony AM3 (N) alkaline batteries)

Dimensions

Remote commander:
 Approx. 149.6 × 72.3 × 135.5 mm (w/h/d)
 (6 × 7 7/8 × 7 5/8 inches) not incl. projecting parts

Speaker:

Approx. 121.0 × 468.1 × 137.0 mm (w/h/d)
 (4 7/8 × 18 1/2 × 5 1/2 inches) not incl. projecting parts

Speaker stand:

Approx. 180.0 × 25.0 × 190.0 mm (w/h/d)
 (7 1/8 × 1 × 7 1/2 inches) not incl. projecting parts

Weight

Remote commander: 228.4 g (8.1 oz) not incl. batteries

Speakers: Right 2.1 kg (4 lb 10 oz)
 Left 2.7 kg (5 lb 15 oz)

Supplied accessories

Speaker connecting cord (1)
 Speaker stand (1 set)

Note

This appliance conforms with EEC Directive 87/308/ECC regarding interference suppression.

Design and specifications subject to change without notice.

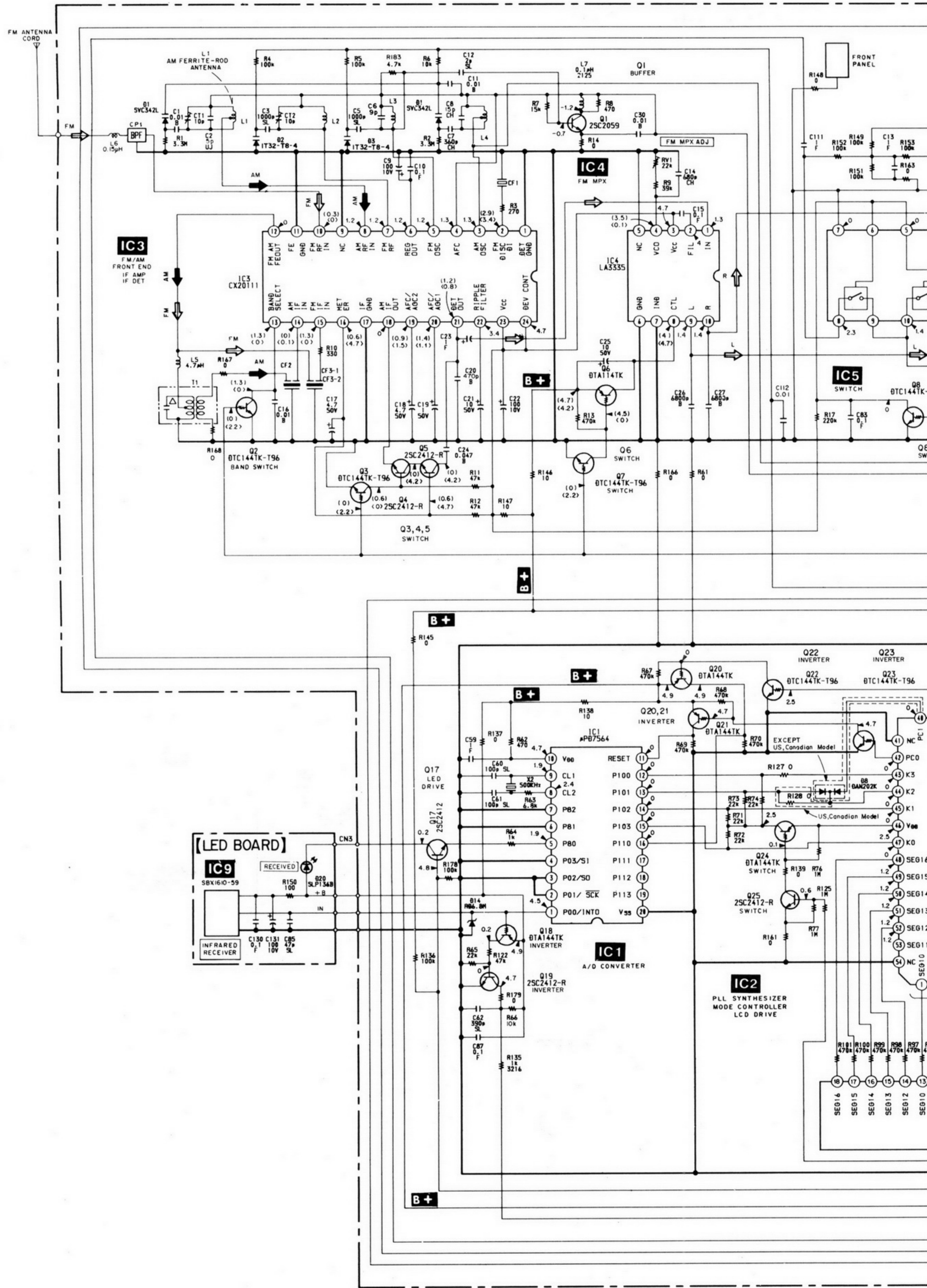
Be sure to receive the unit to repair with speakers (ICF-IR7) and remote commander (RC-IR7).

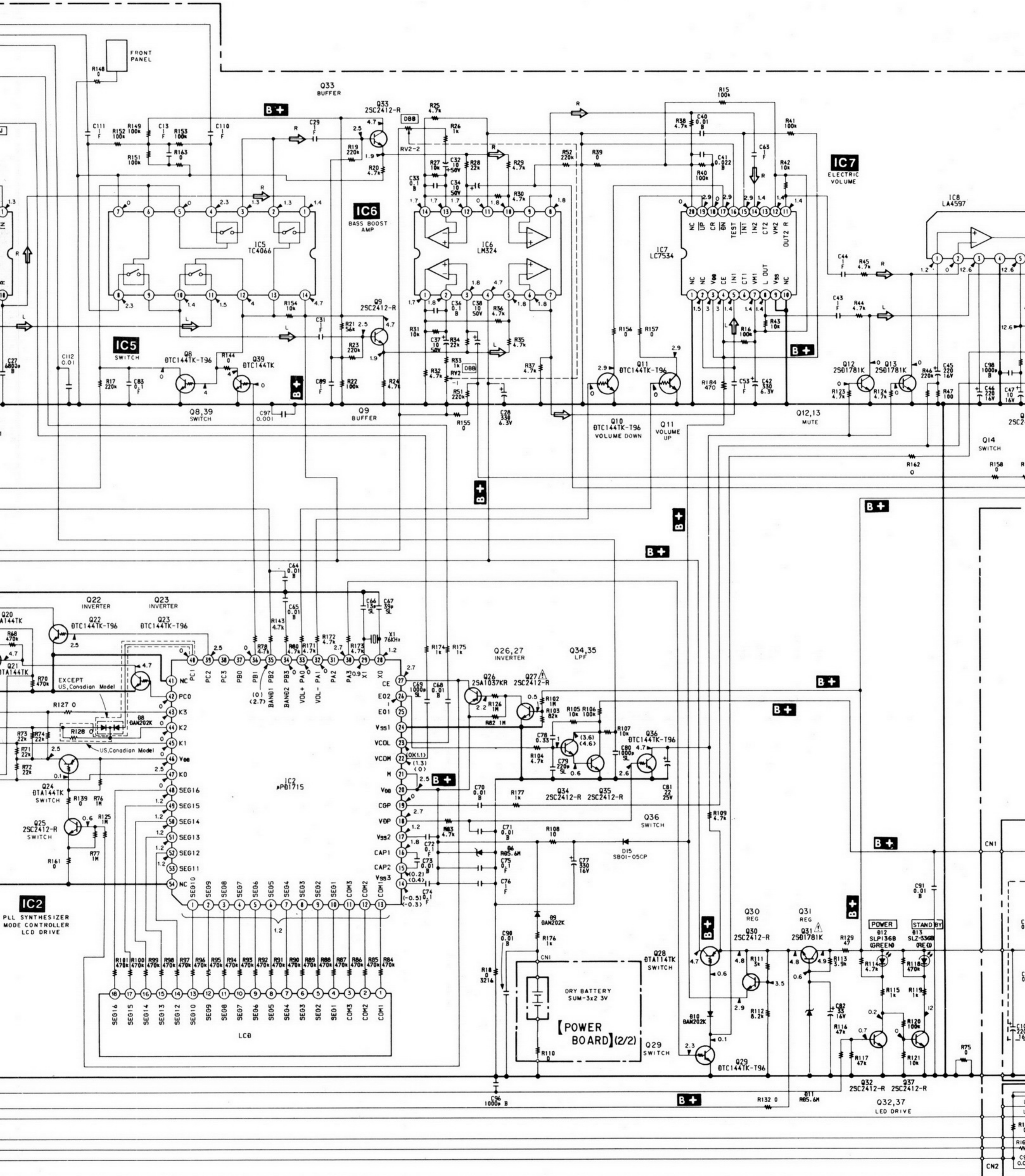


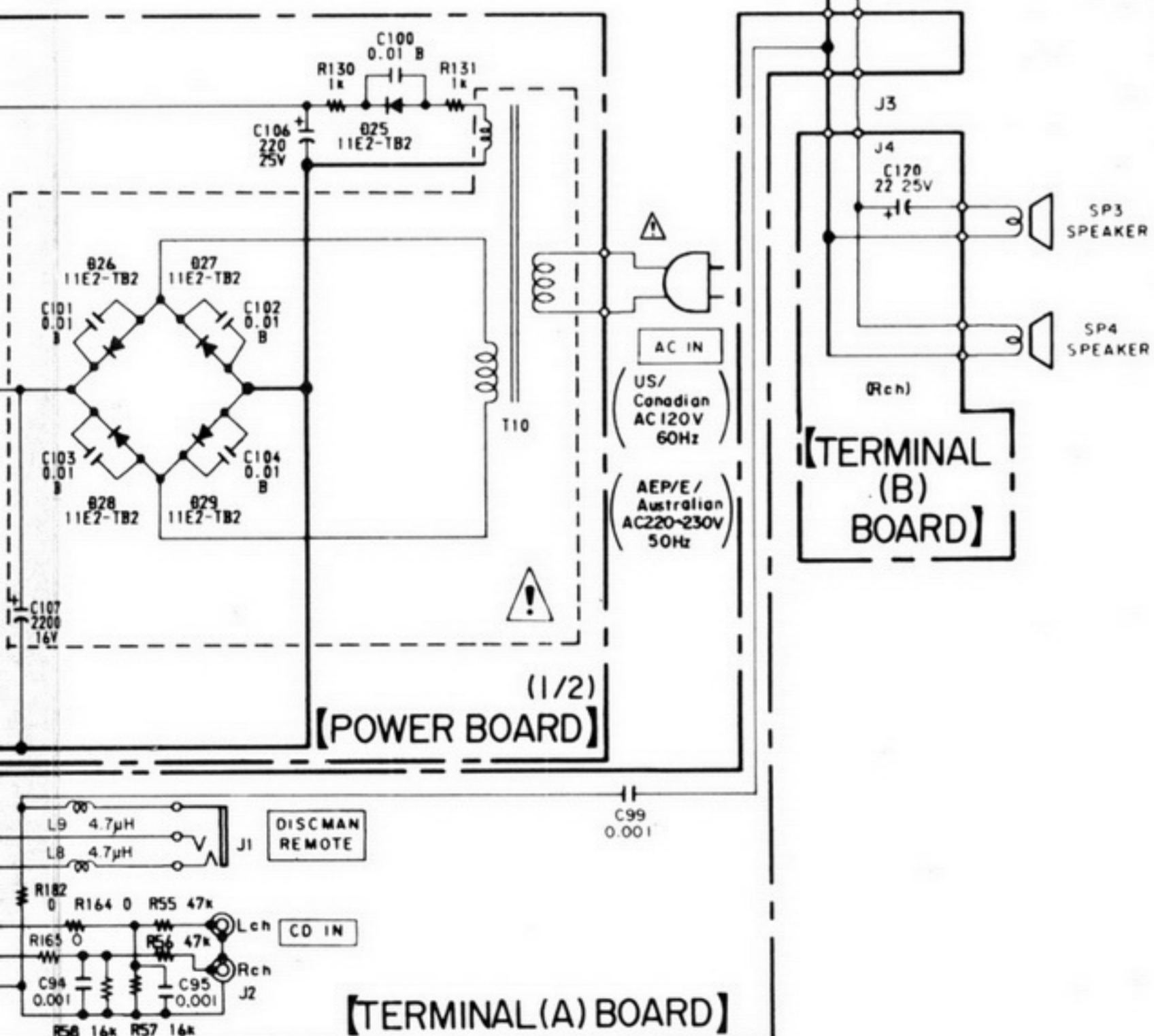
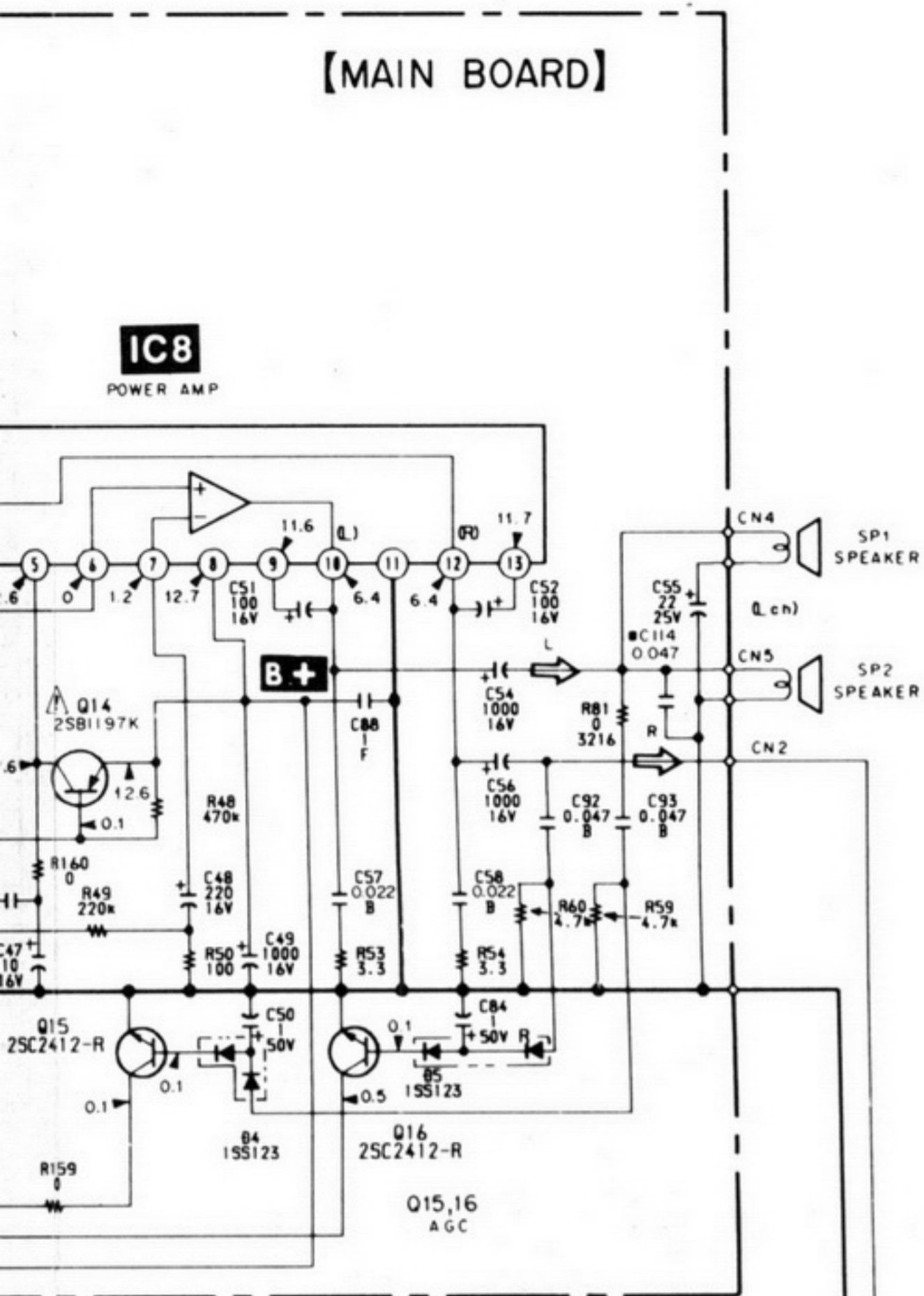
REMOTE CONTROL CLOCK STEREO SYSTEM
SONY®

1 2 3 4 5 6 7 8

A
B
C
D
E
F
G
H
I
J

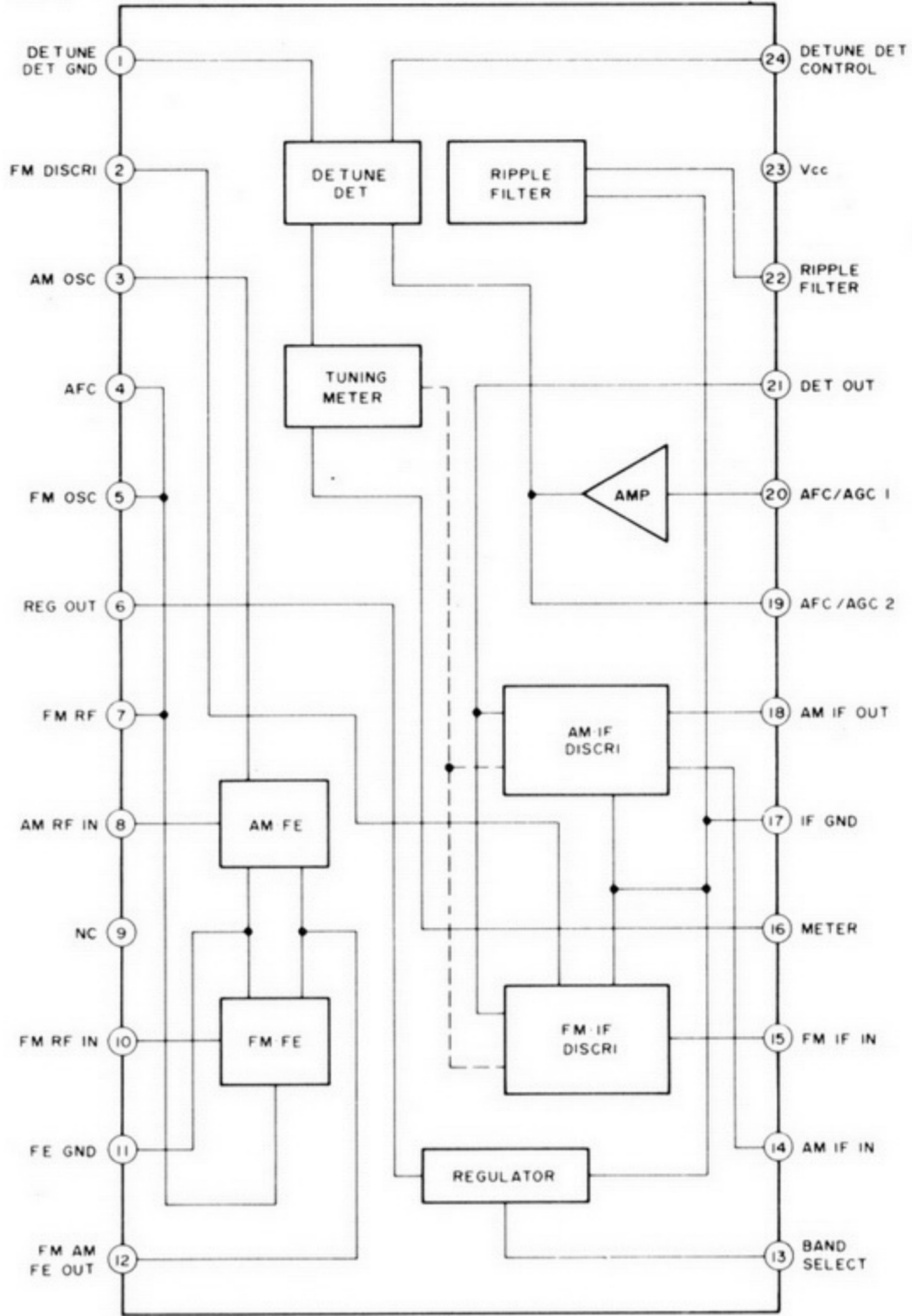




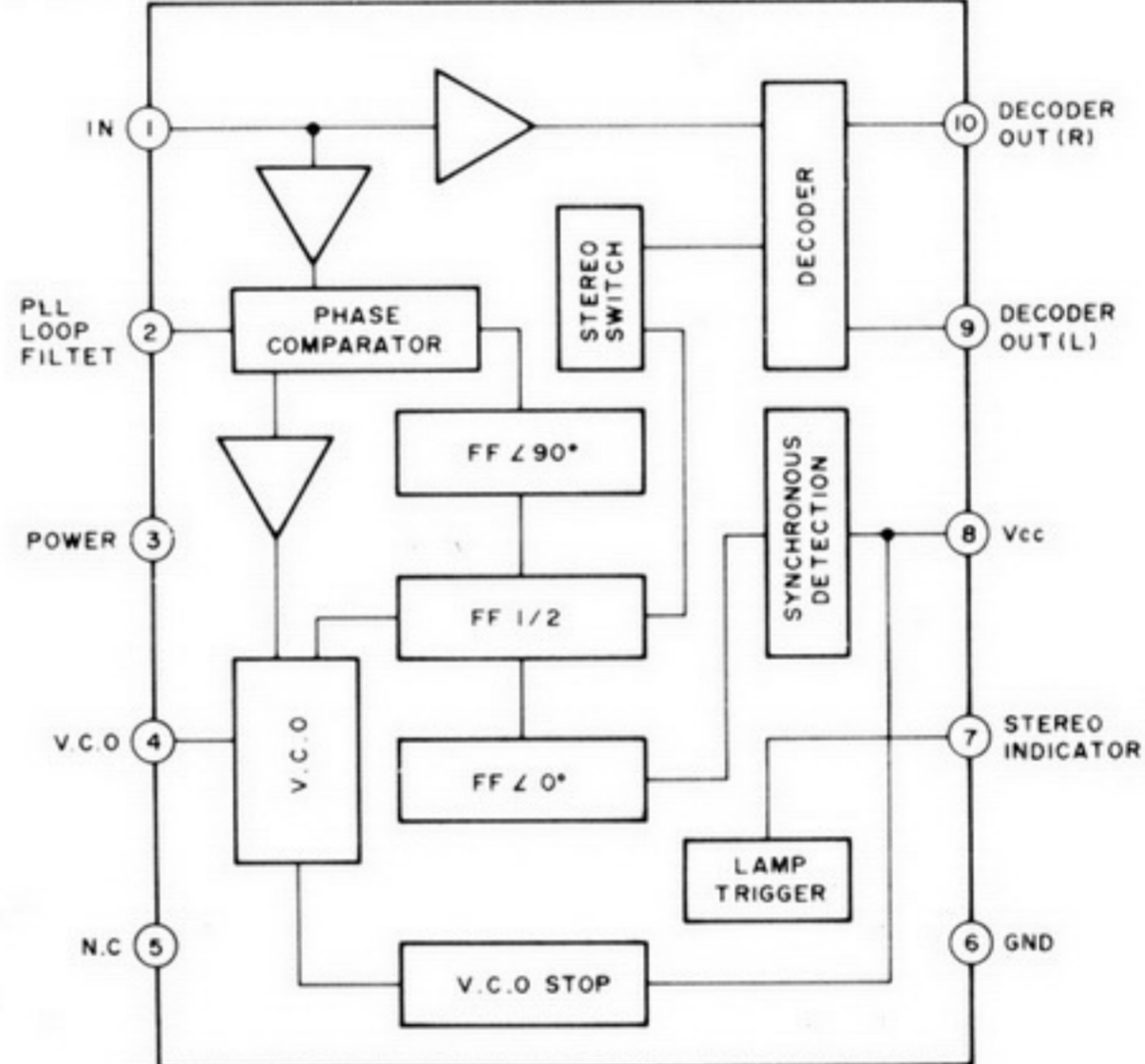


• IC BLOCK DIAGRAMS

IC3 CX20111



IC4 LA3335



Note:

- All capacitors are in μF unless otherwise noted. pF: $\mu\mu\text{F}$
50WV or less are not indicated except for electrolytics and tantalums.
- All resistors are in Ω and $1/4\text{ W}$ or less unless otherwise specified.
- \triangle : internal component.

Note:

The components identified by mark \triangle or dotted line with mark \triangle are critical for safety. Replace only with part number specified.

Note:

Les composants identifiés par une marque \triangle sont critiques pour la sécurité. Ne les remplacer que par une pièce portant le numéro spécifié.

- **B+** : B+ Line
- Voltage and waveforms are dc with respect to ground under no-signal (detuned) conditions.
no mark : Common
() : FM
< > : AM
- Voltages are taken with a VOM (Input Impedance $10\text{M}\Omega$)
Voltage variations may be noted due to normal production tolerances.
- Signal path.
 \rightarrow : FM \rightarrow : AM