



All fasteners subject to metric dimension of International Organization for Standardization.

Portable Cassette Recorder

MODEL MR-410

SERVICE MANUAL

SANYO ELECTRIC CO., LTD.
INTERNATIONAL DIVISION : SANYO ELECTRIC TRADING CO., LTD.
OSAKA, JAPAN



SPECIFICATIONS

Recording system	AC bias, double track	Frequency response	50 to 10,000 Hz	
Erasing system	DC erase	Transistors	2SB303 × 1	2SB187 × 1
Tape speed	1-7/8 ips. (4.8 cm/sec.)		2SB186 × 1	2SB405 × 2
Recording (playback) time	1 hour (C-60)		2SB185 × 1	
Rewind and fast forward time	1' 45" (C-60)	Diodes	1S188 × 1	1S1849 × 2
Output power	1.5W max.	Thermistor	SDT-06 × 1	
Wow and flutter	0.3% RMS	Speaker	4" (10 cm) P. D. S. 8Ω	
Signal to noise ratio	40 dB	Power source	AC; 120/200/240 V, 50/60Hz multivoltage DC; 6V, "C"-size (UM-2) batt. × 4	
Terminals	MIC. 10KΩ AUX IN 270KΩ EXT SP 8Ω	Dimensions	6-7/16" (W) × 2-13/16" (L) × 6-3/16" (H)	
		Weight	4.8 lbs.	
		Accessories	Microphone, audition cassette, AC cord	

DISASSEMBLY INSTRUCTION

To remove the amplifier and mechanism from the cabinet:

1. Pull out the Tone and Volume control knobs.
2. Place the recorder front side down and remove the screw from the center of the cabinet back.
3. Depressing the cabinet bottom with both thumbs, open the back cabinet. See Fig. 1 below.

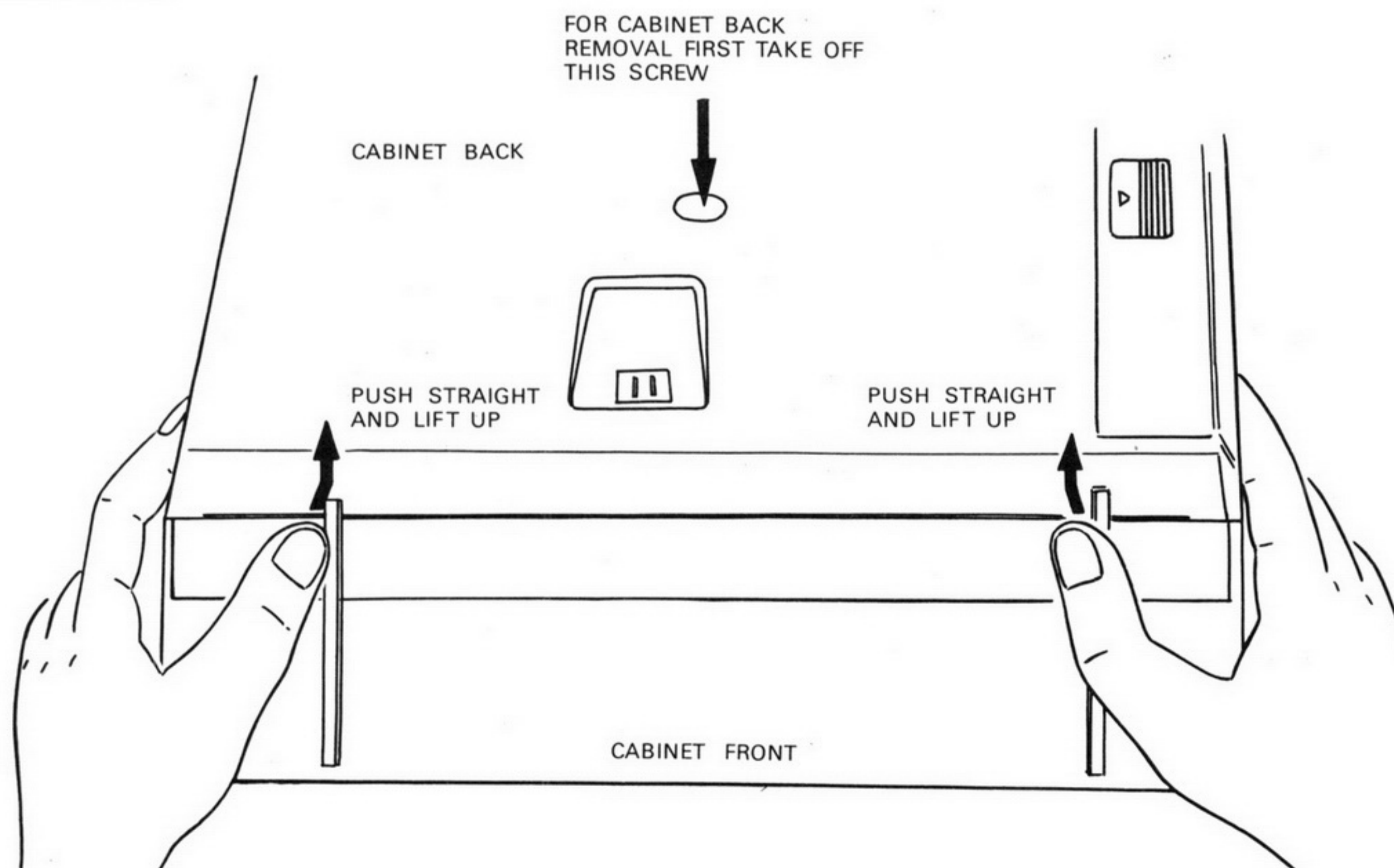


Fig 1.

CIRCUIT DIAGRAM

